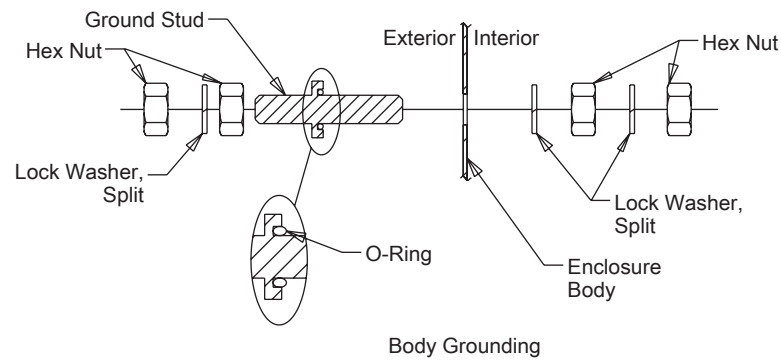
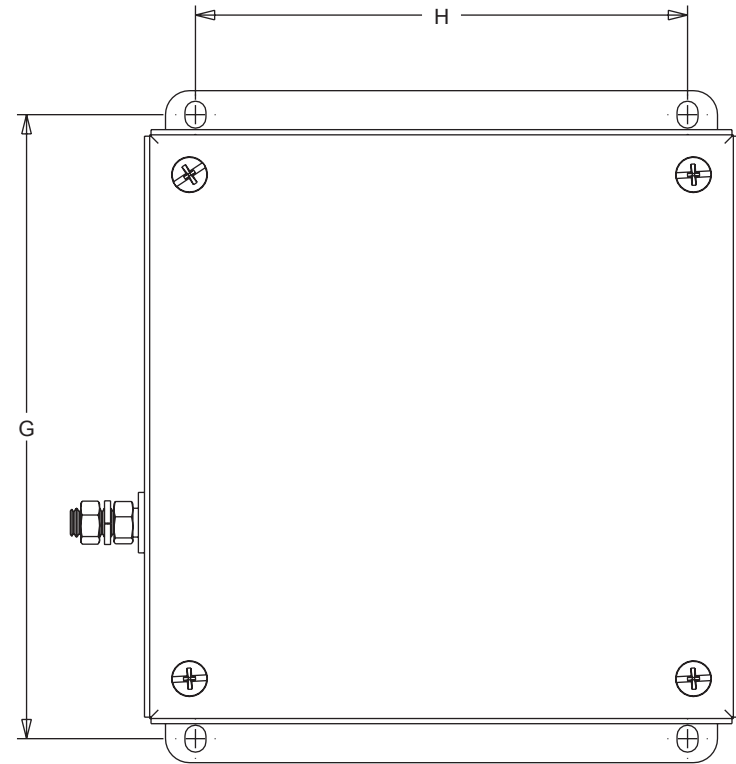
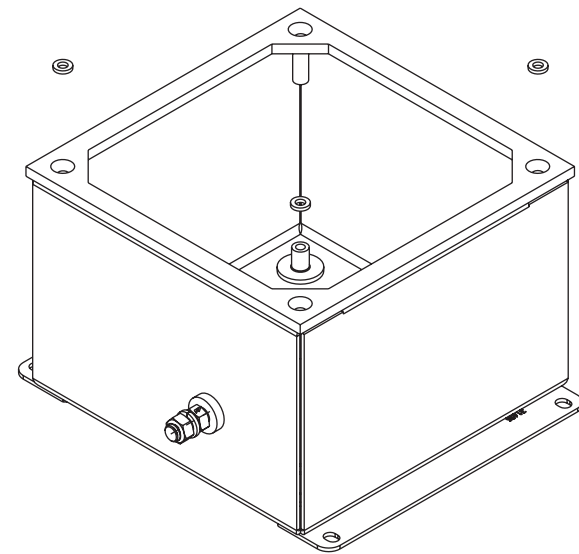
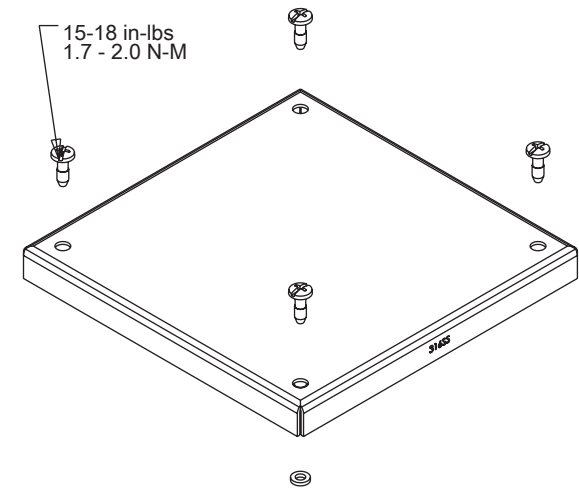
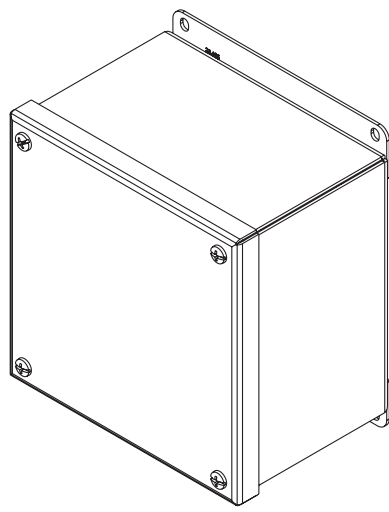


ZONEX



Catalog Number	Mounting Dimensions			
	G (in.)	G (mm)	H (in.)	H (mm)
EXE443SS6	3.12	79.2	3.81	96.8
EXE664SS6	5.12	130.0	6.81	173.0
EXE774SS6	6.12	155.4	6.81	173.0
EXE965SS6	5.12	130.0	8.81	223.8
EXE10105SS6	9.12	231.6	9.81	249.2

NOTES:

Industry Standards:

ATEX Directive 2014/34/EU

ATEX

Sira 09ATEX3224U

2813 Ex II 2 G D

Ex eb IIC Gb

Ex tb IIIC Db IP 66

EN 60079-0

EN 60079-7

EN 60079-31

IECEX

IECEX SIR 09.0099U

Ex eb IIC Gb

Ex tb IIIC Db IP 66

IEC 60079-0

IEC 60079-7

EN 60079-31

UL 508A Listed; Type 4, 4X, 12; File No. E61997

cUL C22.2 No. 94 Listed; Type 4, 4X, 12; File No. E61997

NEMA/EEMAC Type 4, 4X, 12

IEC 60529, IP66

Service temperature in ATEX and IECEX for standard polyurethane gasket is -40C to 70C.

1. Visually inspect gaskets, locks and screws after each opening of covers or removing of gland plates.
2. Internal body grounding terminal shall be used for the equipment grounding connection and the external is for supplementary bonding connection where local codes or authorities permit or require such connection.
3. Earth grounding must be connected by lug on end of the cable. (A UL listed ring connector is required for Class I, Zone 1 applications).
4. The number and arrangement of terminal blocks or other wiring terminals is to be determined in the end-use investigation.
5. Enclosure openings must be filled by equipment marked with the same certification as the enclosure.

General Guide to Cable Entry Positions into Cable Gland or Enclosure Side:

- a. Maximum hole diameter is major thread diameter of cable gland plus 0.7mm (.03")
- b. Minimum material to be maintained between holes:
 Glands M16 through M32: 15mm (0.59")
 Glands M35 through M75: 20mm (0.79")
 Glands M75 through M100: 35mm (1.38")

Prior to making holes in the enclosure wall or gland plate, verify that the selected gland will not have interference with the sealing washer and lock nut.

- c. Hole location must be located so sealing washer and locknut do not interfere with gasket.
- d. Select a gland for the correct application with the proper certifications. Make certain all cable gland accessories are included for through hole installation. Additional accessories may include locknut and sealing washers.
- e. Install the gland in accordance to the manufacturers instructions.

6. Painted Enclosures require these additional instructions:
 For fixed installations minimize the risk of electrostatic discharge of painted enclosures.
 - a. Remove the explosive atmosphere prior to contact or cleaning
 - b. Make certain enclosure is grounded and external enclosure ground connection is made; all conducting parts should be properly bonded.
 WARNING: Potential electrostatic charging hazard.
 - c. For painted surfaces, avoid friction with surface, only clean with wet cloth moistened with de-ionized water.
 - d. Avoid contact in low relative humidity environments. Increase environment humidity where possible.
7. Warning for end product assembly: Do not open when energized.