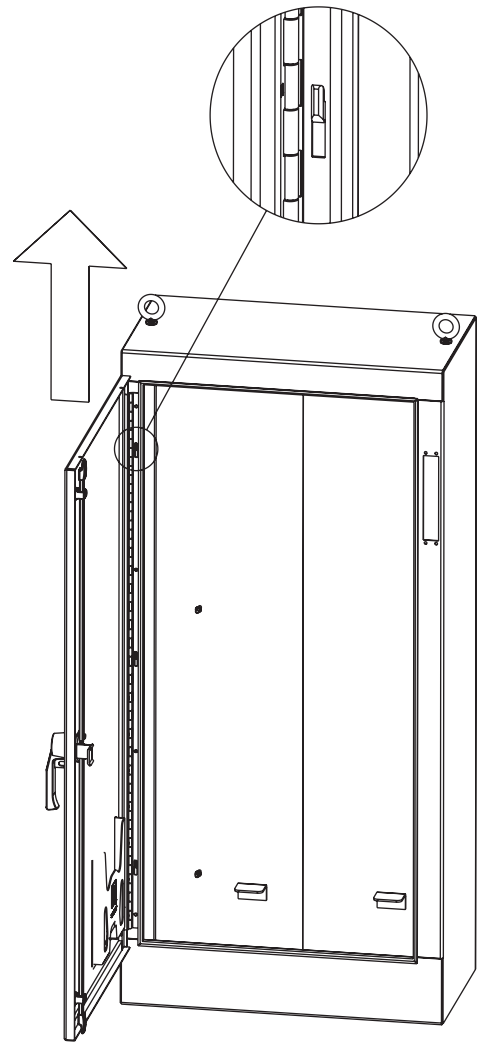
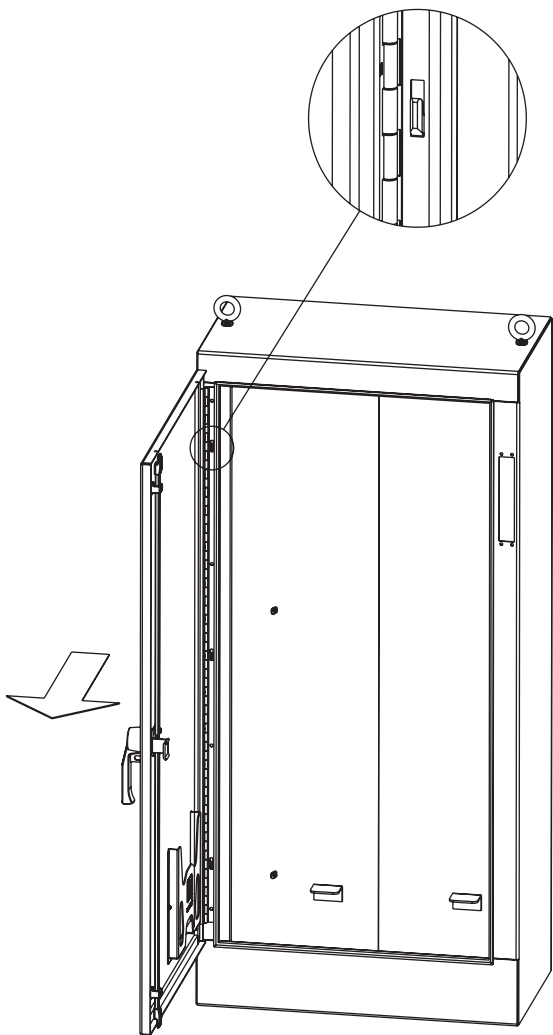


1

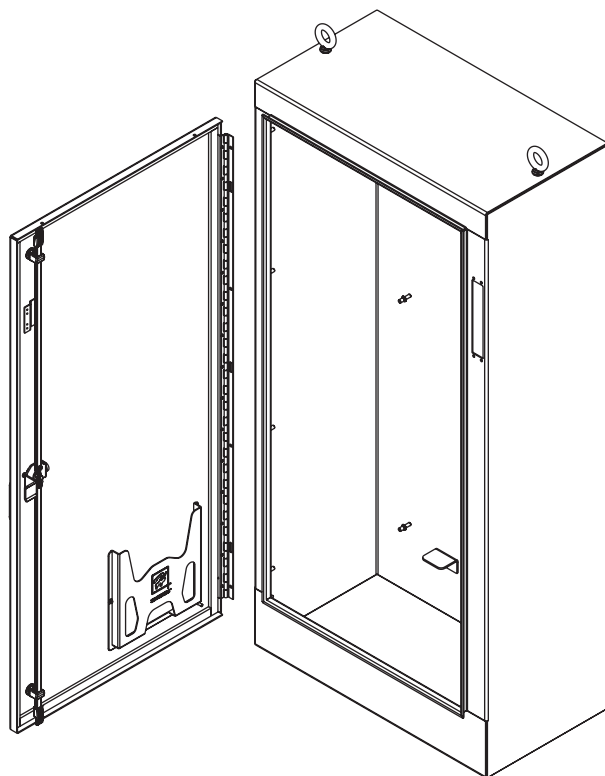


2

<p>1</p>	<p>2</p>	<p>3 1/4-20 X 0.75</p> <p>(4X)</p>
----------	----------	------------------------------------



3



4



HOFFMAN