

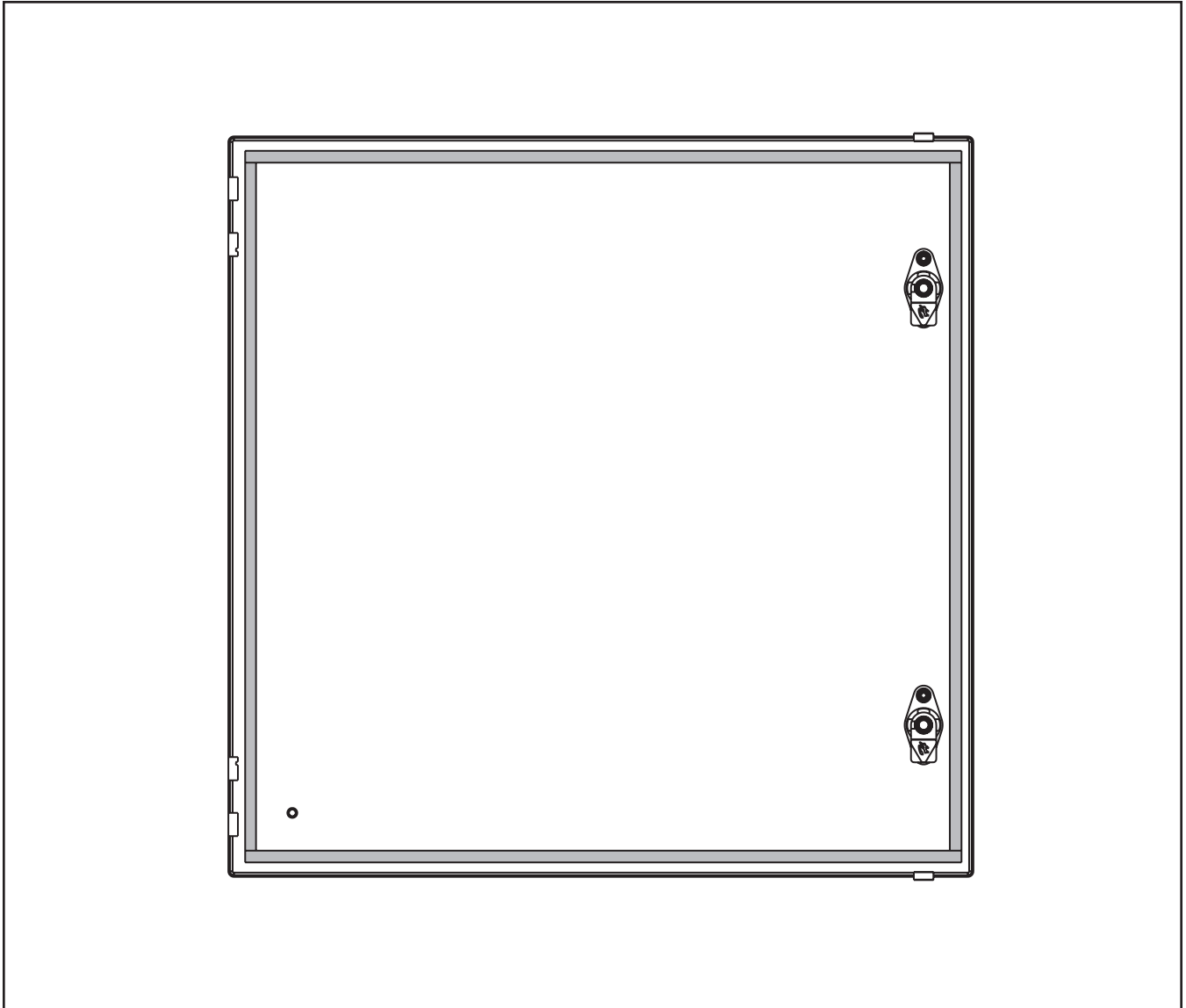


HOFFMAN

GASKET KIT



File No. E61997
Type 4, 4X and 12



List of Tools

1. 1/2-inch wide chisel or putty knife
2. Clean, dry cotton rag
3. Small amount of isopropyl alcohol
4. Scissors

Enclosure Type Ratings 4, 4X and 12

Proper installation on a Hoffman Rated enclosure will maintain the enclosure rating of Types 4, 4X and/or 12.

To maintain rating, for use with Hoffman manufactured enclosures only

Kit includes a 20-foot roll of strip gasket

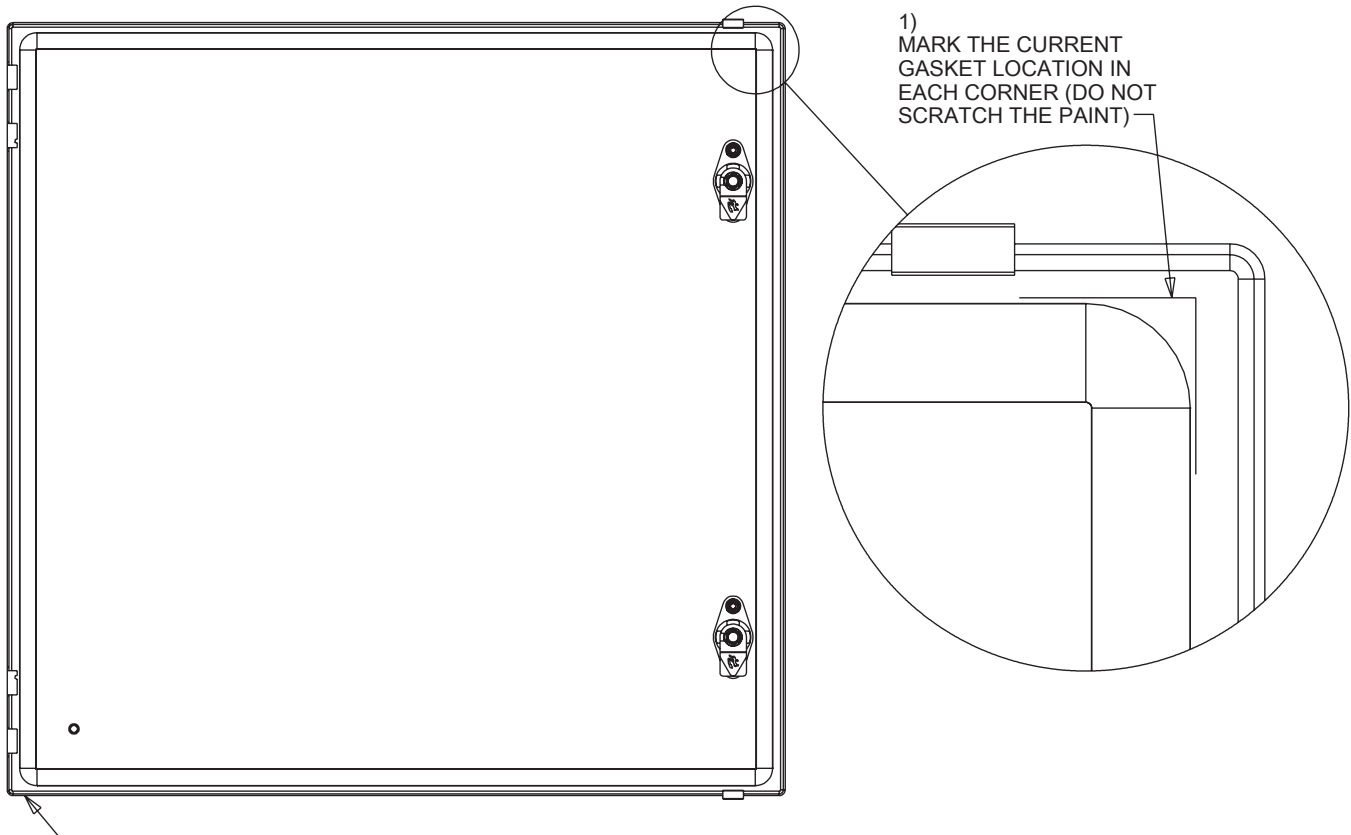
To determine the amount of gasket required, add the dimension of each side around the perimeter of all doors. Splices can only occur at the corners. 20 feet is suitable for a door that is 84 in. x 36 in.

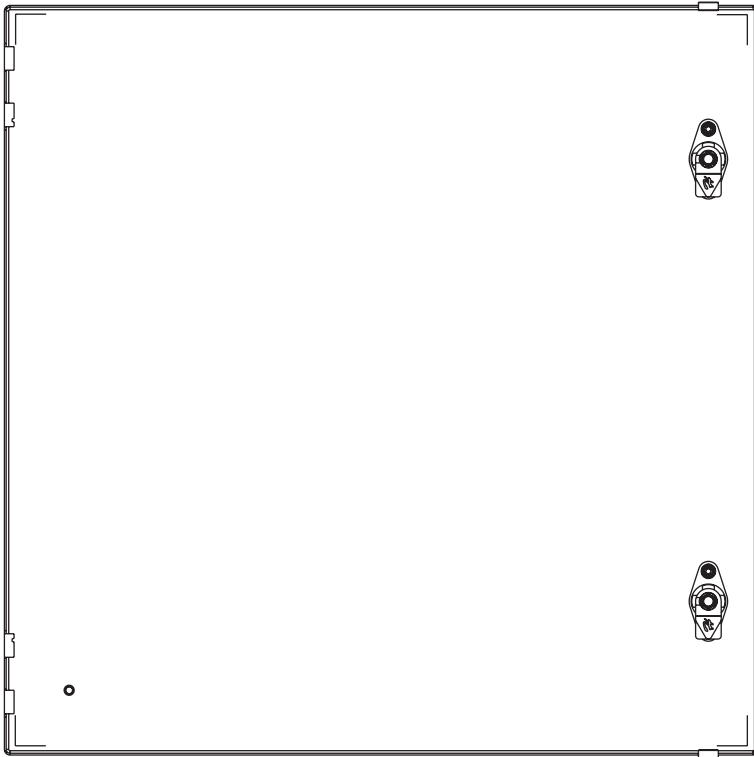
Enclosure Style Kit Selection

Catalog Number	Gasket Material	Thickness (inches)	Enclosure Style	Bulletin Series
GSKTKITE025	EDPM	0.280	Wall-Mount	A4, A12, A19, A22, A25, A26, A51, A54, CW1, CW2, CWSD, PB, WS
GSKTKITE375	EDPM	0.375	Large (Floor-Mount)	A4L, A12L, A21, A27, A28, A30, A34, P20, P40
GSKTKITS025	Silicone	0.310	Wall-Mount	A4, A12, A19, A22, A25, A26, A51, A54, CW1, CW2, CWSD, PB, WS
GSKTKITS375	Silicone	0.375	Large (Floor-Mount)	A4L, A12L, A21, A27, A28, A30, A34, P20, P40

Silicone gasket upgrade is for harsh environments and extreme temperatures.

Bulletin Series referenced above includes all variations of painted mild steel, aluminum, stainless steel and latch styles.
Example: A4 includes A4S, A4A and A4W3.



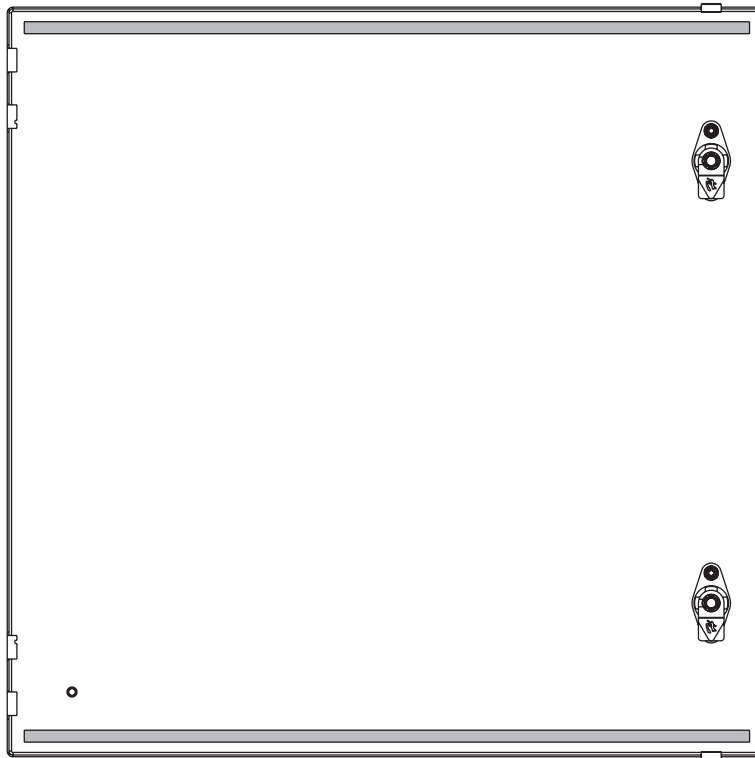


2)

CAREFULLY SCRAPE OFF GASKET WITH CHISEL OR PUTTY KNIFE TOOL.

DO NOT SCRATCH THE PAINT. USING A WOOD CHISEL IS RECOMMENDED AS IT IS LESS LIKELY TO SCRATCH.

REMOVE AS MUCH OF THE EXISTING GASKET AS POSSIBLE. WITH A CLEAN, DRY RAG, CLEAN ALL DEBRIS FROM THE DOOR SURFACE. ISOPROPYL ALCOHOL IS RECOMMENDED FOR REMOVING PIECES OF OLD ADHESIVE AND GASKET. BE CAREFUL NOT TO REMOVE PENCIL MARKS.



3)

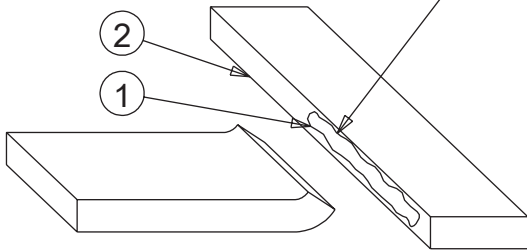
DO NOT PRECUT THE GASKET.

STARTING AT ONE OF THE PREMARKED CORNERS, SLOWLY PLACE THE GASKET, ADHESIVE SIDE DOWN, ONTO THE DOOR HORIZONTALLY, FROM ONE TOP CORNER TO THE OTHER. USING SCISSORS, CUT AND TRIM THE GASKET, ALIGNING ENDS WITH THE MARKINGS. THE GASKET SHOULD BE HORIZONTAL AND PARALLEL TO THE TOP AND BOTTOM. PRESS FIRMLY INTO PLACE ALONG ENTIRE LENGTH OF GASKET. ENSURE ALL PAPER IS REMOVED FROM ADHESIVE BACK.

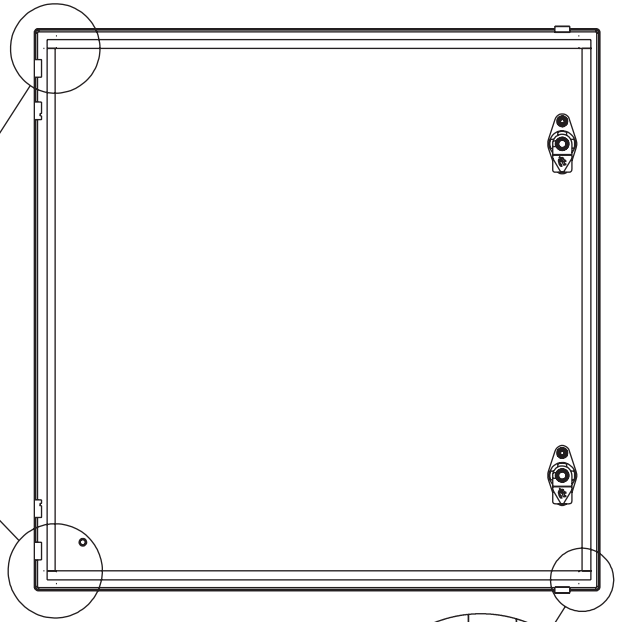
REPEAT THIS STEP FOR THE BOTTOM HORIZONTAL GASKET STRIP.

** IF GASKET HAS 2 STRIPS OF ADHESIVE, PLACE THE GASKETING ONTO THE ENCLOSURE WITH THE WHITE STRIPE TO THE OUTSIDE.

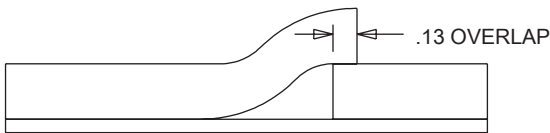
4)
 PLACE DABS OF SEALANT ON THE INSIDE EDGES OF THE GASKET THAT HAS ALREADY BEEN INSTALLED. THE SEALANT SHOULD BE APPLIED AT THE CORNERS WHEREVER TWO PIECES OF GASKET MEET.



6)
 WHEN FINISHED:
 GASKET FORMS A CONTINUOUS SEAL AROUND THE SURFACE OF THE DOOR AT ALL POINTS WHERE CONTACT WILL BE MADE WITH THE ENCLOSURE.

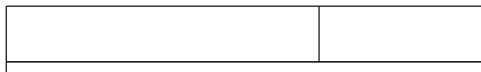


5)
 STARTING AT ONE OF THE PRE-MARKED CORNERS, SLOWLY PLACE THE GASKET, ADHESIVE SIDE DOWN, ONTO THE DOOR VERTICALLY. THE GASKET SHOULD START AT THE MID-POINT OF THE TOP GASKET AND EXTEND VERTICALLY DOWN TO THE MID-POINT OF THE BOTTOM GASKET.



TAKE THE VERTICAL GASKET THAT IS OVERLAPPING, LIFT AND TUCK THE END SO THAT IT RESTS UP AGAINST THE HORIZONTAL GASKET.

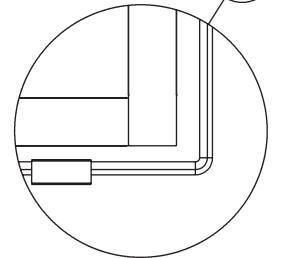
ONCE THE GASKET IS TUCKED AND THE SEALANT IS CONFIRMED TO BE BETWEEN THE TWO GASKETS, FIRMLY PRESS THE BULGING GASKET DOWN SO THAT THE GASKET ADHERES TO THE DOOR. THERE SHOULD NOT BE SPACE UNDERNEATH OR BETWEEN THE GASKETS.



MAKE SURE TO PRESS FIRMLY ON ALL OF THE GASKETING AND VERIFY THAT THE GASKET IS ADHERED AROUND THE ENTIRE DOOR SURFACE. REMOVE EXCESS SEALANT BY GENTLY WIPING IT OFF. THE GASKET EDGES SHOULD ALIGN WITH THE CORNER MARKINGS. THE GASKET SHOULD BE VERTICAL AND PARALLEL TO THE COVER SIDES.

REPEAT THIS STEP FOR THE VERTICAL STRIP OF GASKET ON THE OPPOSITE SIDE.

GASKET JOINTS AT THE TOP OF DOOR TO BE ORIENTED HORIZONTAL. GASKET JOINTS AT THE BOTTOM OF DOOR CAN BE ORIENTED EITHER HORIZONTAL OR VERTICAL.



ALTERNATE BOTTOM JOINT

*** FOR BEST RESULTS:
 PRIOR TO INSTALLATION OF THE FINISHED DOOR, THE DOOR SHOULD LIE FLAT WITH THE GASKETING SIDE UP FOR 24 HOURS, TO ALLOW THE SEALANT TO CURE.

