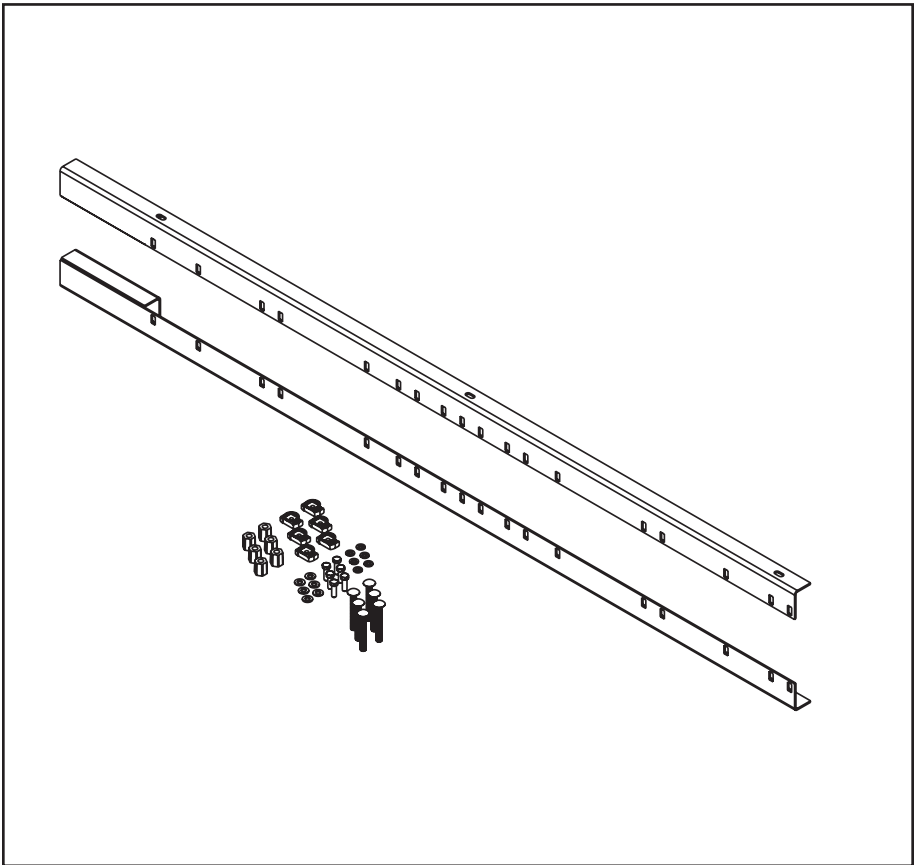
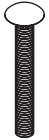
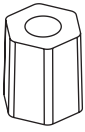
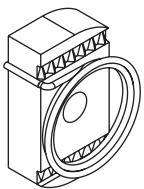
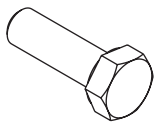

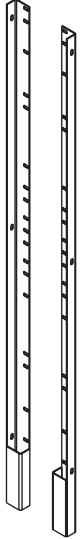
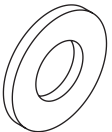




HOFFMAN



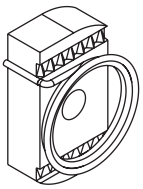
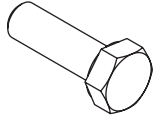

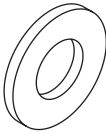
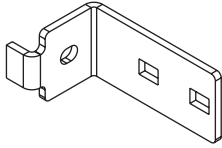



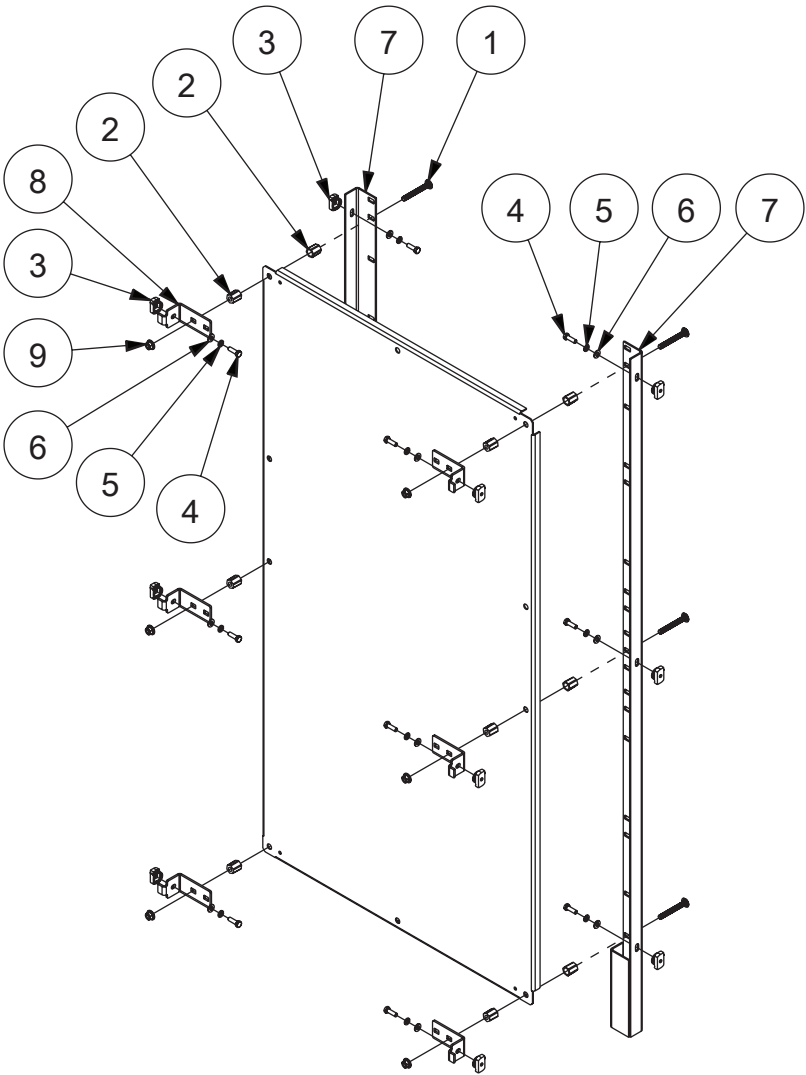
Supplied with Mounting Kit

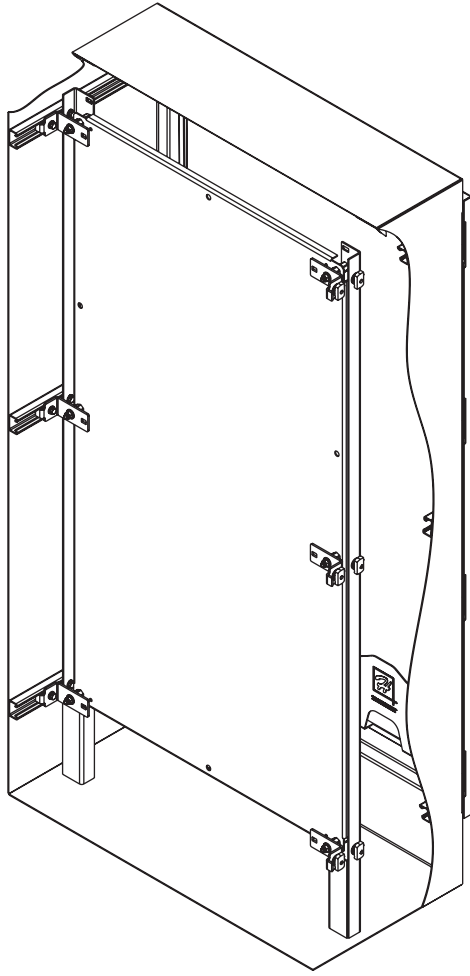
<p>1</p> <p>3/8-16 X 3</p>  <p>(6x)</p>	<p>2</p>  <p>(6x)</p>
<p>3</p> <p>5/16</p>  <p>(6x)</p>	<p>4</p> <p>5/16-18 X 1</p>  <p>(6x)</p>
<p>5</p>  <p>(6x)</p>	<p>7</p>  <p>(1x)</p>
<p>6</p>  <p>(6x)</p>	

Supplied with Panel

(Panel ordered separately)

<p>3/8-16 X 1.75</p>  <p>(6x)</p>	<p>2</p>  <p>(6x)</p>
<p>3</p>  <p>(6x)</p>	<p>4</p> <p>5/16-18 X 1</p>  <p>(6x)</p>
<p>5</p>  <p>(6x)</p>	<p>6</p>  <p>(6x)</p>
<p>8</p>  <p>(6x)</p>	<p>9</p> <p>3/8</p>  <p>(6x)</p>







HOFFMAN