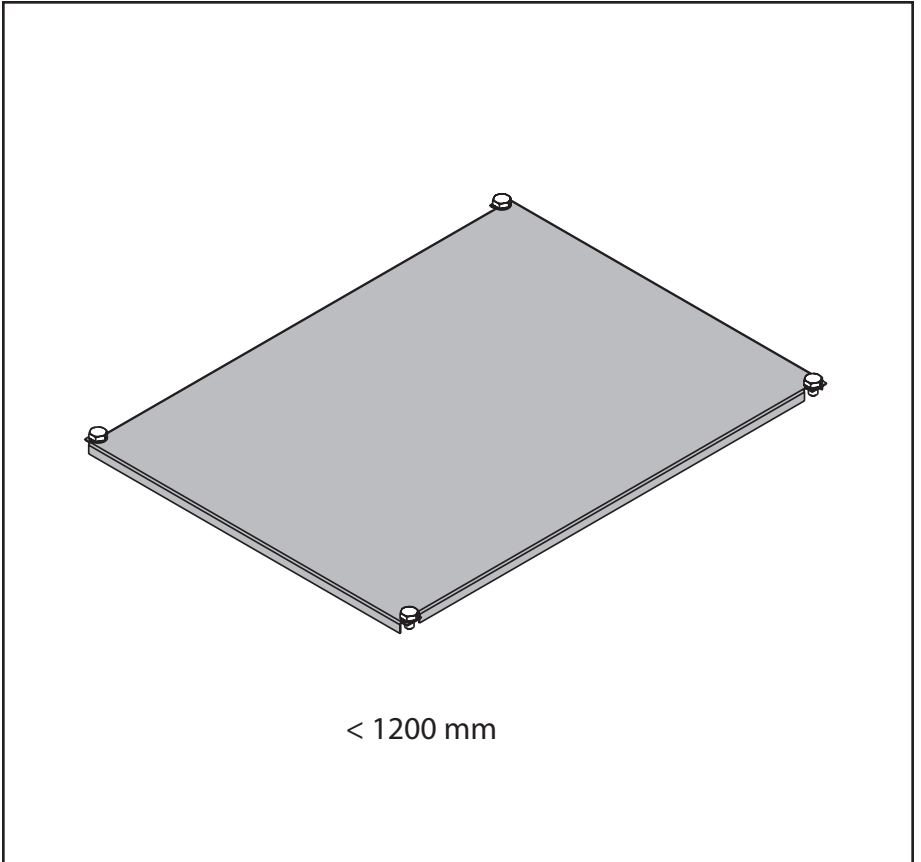


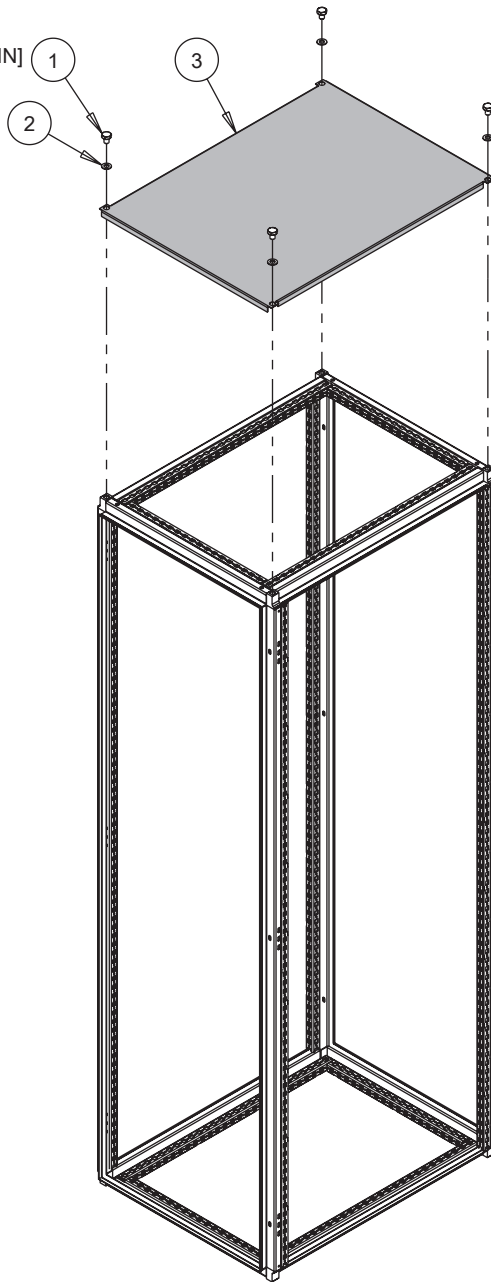


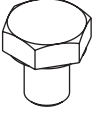

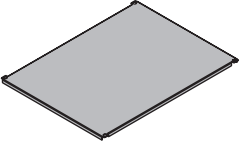
**HOFFMAN**

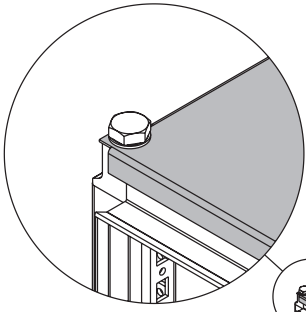
**PROLINE G2**



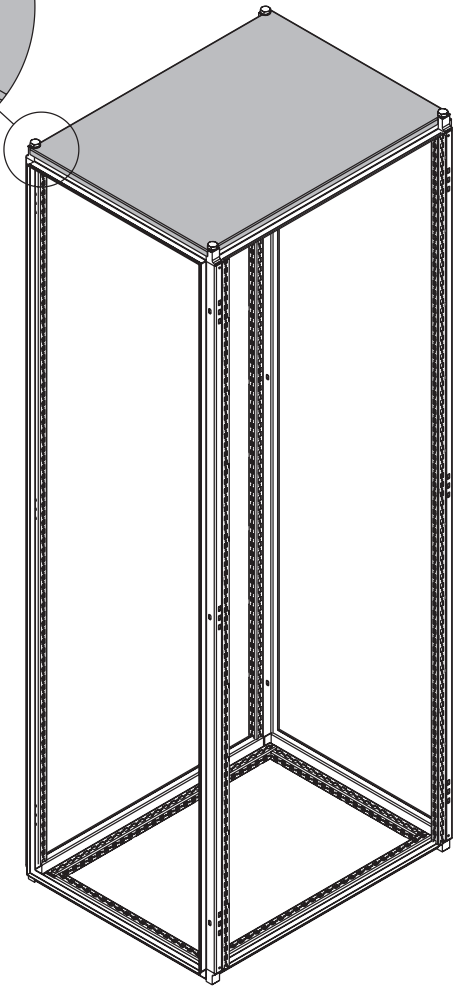
6.8 ± 0.7 N\*M  
[60 ± 6.0 LBF\*IN]



<p>1</p> <p>M12-1.75X12</p>  <p>(4x)</p>	<p>2</p> <p>M12</p>  <p>(4x)</p>	<p>3</p>  <p>(1x)</p>
---	---	--



4X





**HOFFMAN**