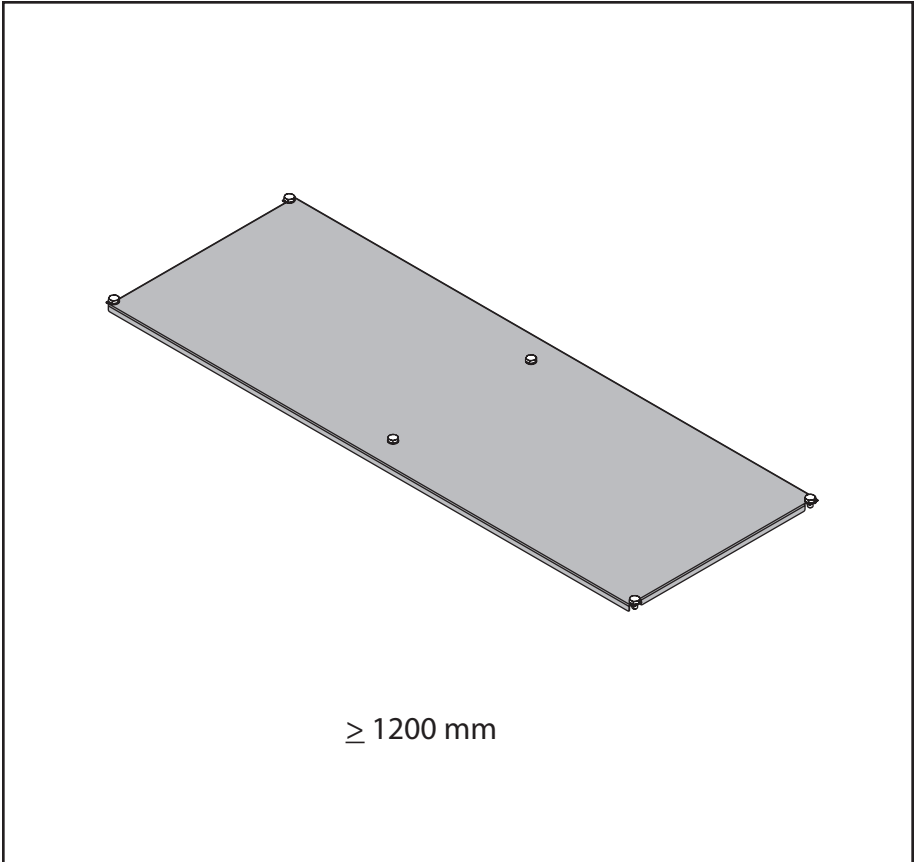


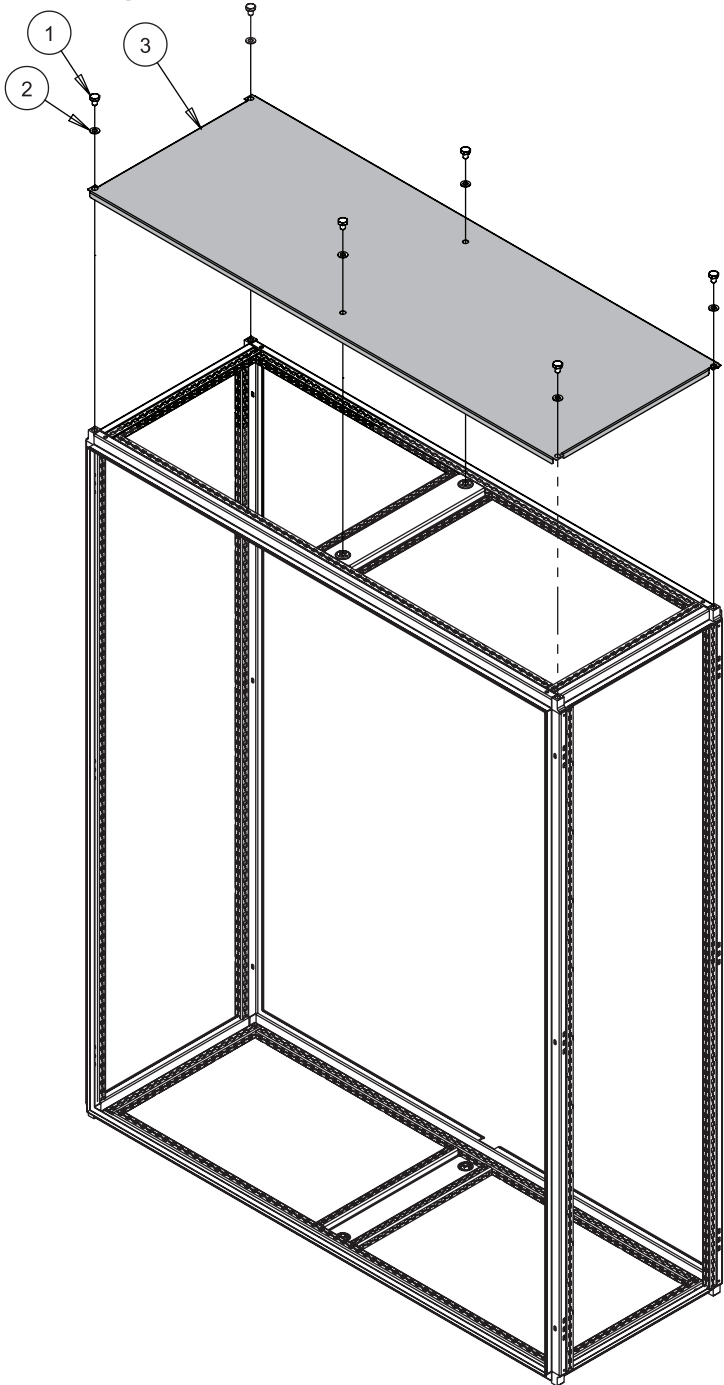


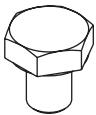

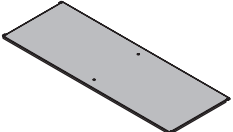
HOFFMAN

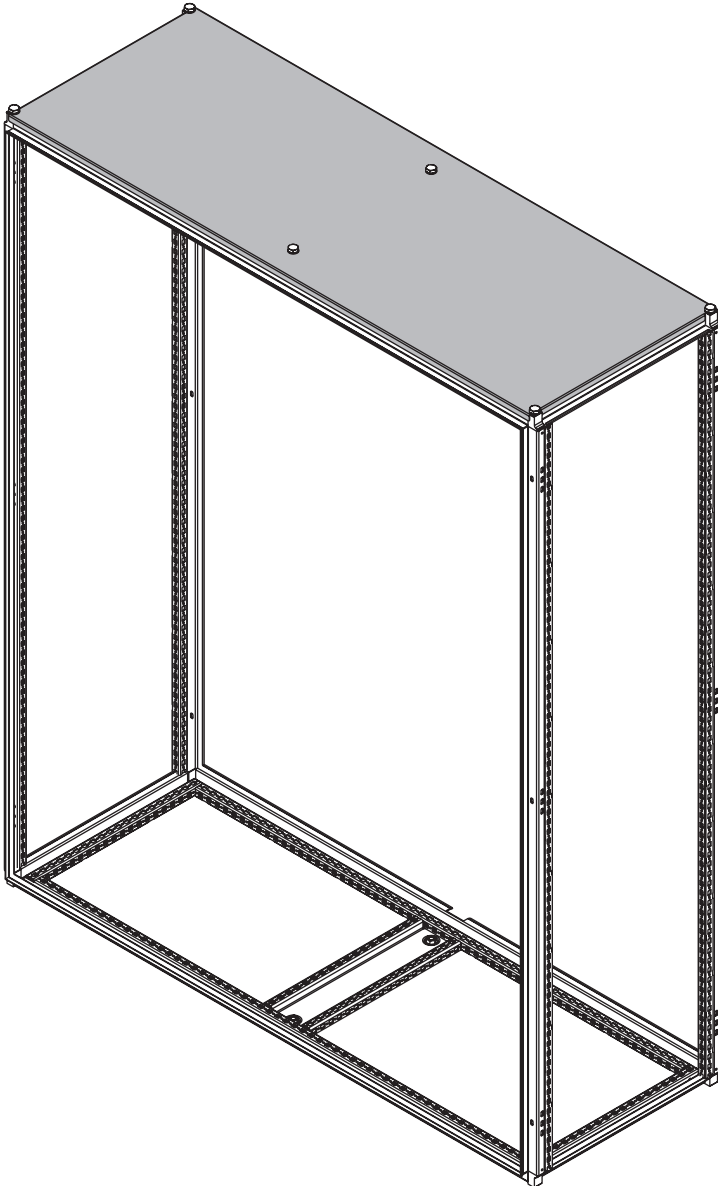
PROLINE G2



6.8 ± 0.7 N*M
[60 ± 6.0 LBF*IN]



1 M12-1.75X16  (6x)	2 M12  (6x)	3  (1x)
---	---	--





HOFFMAN