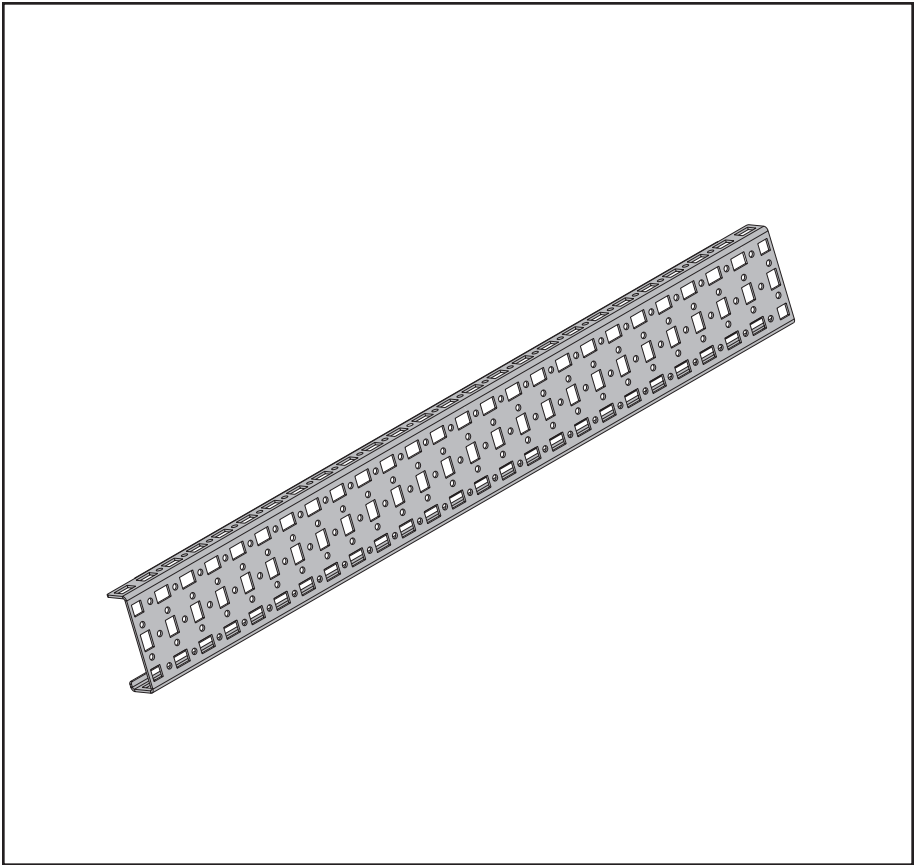
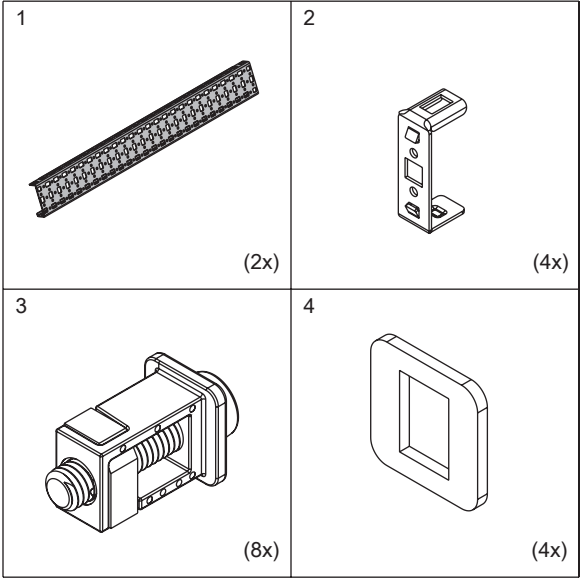


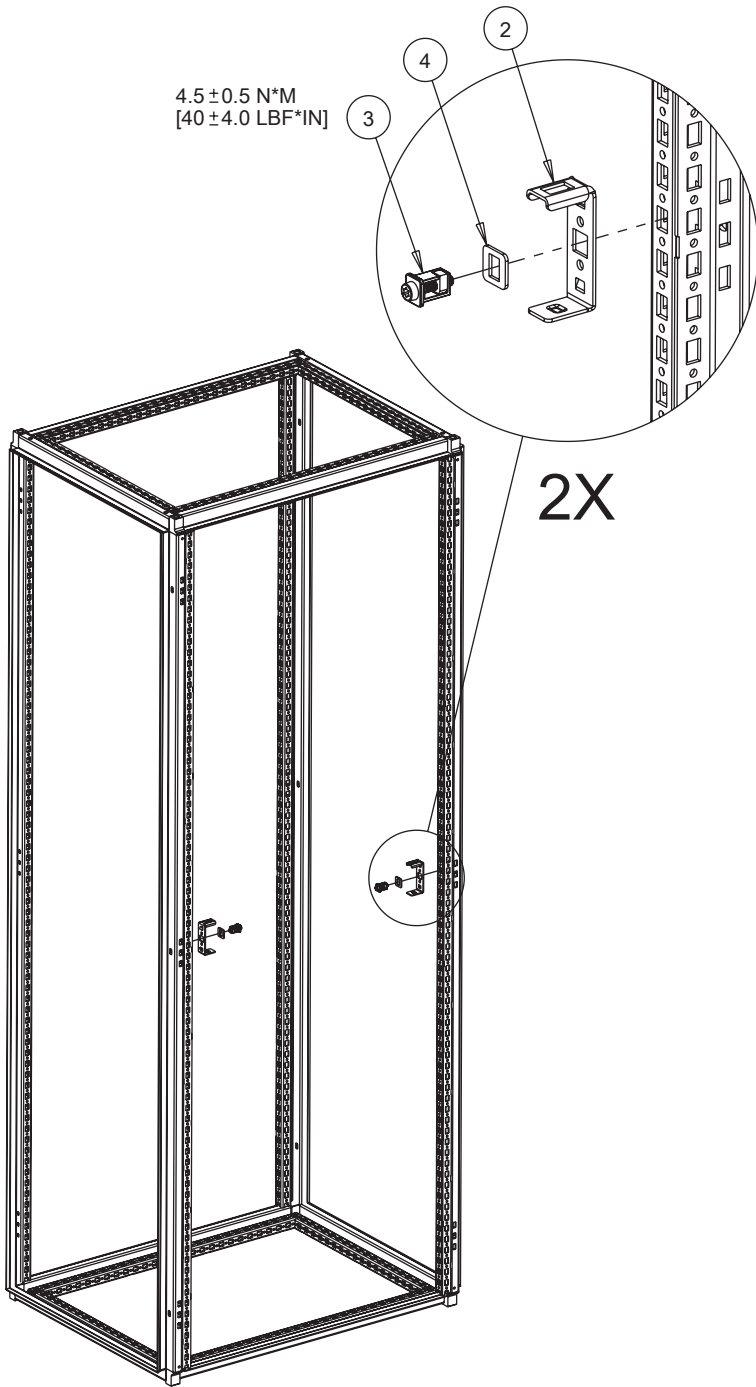


HOFFMAN

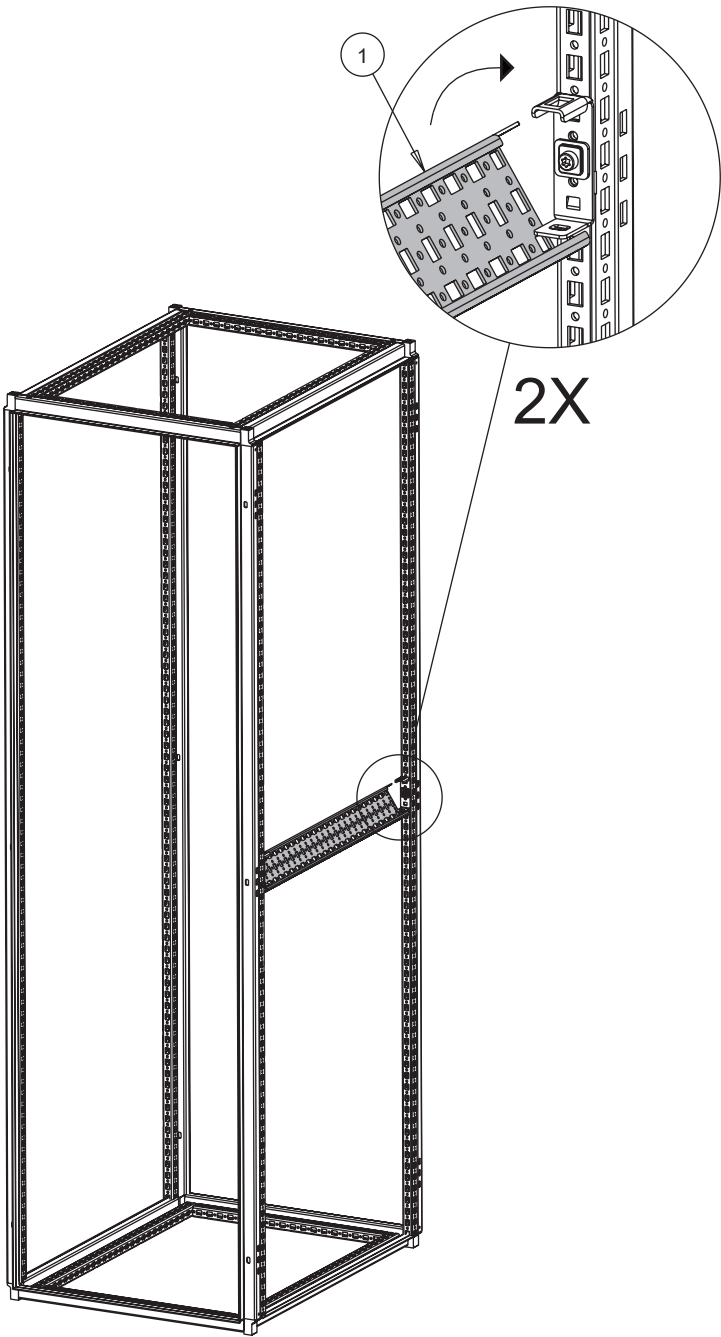
PROLINE G2







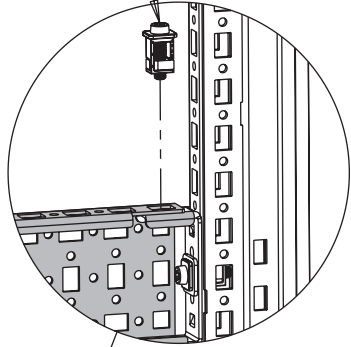
1



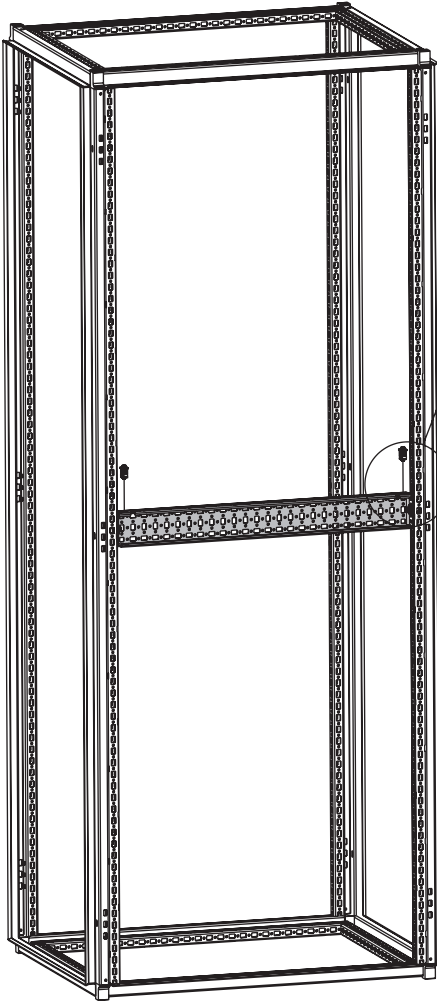
2

4.5 ± 0.5 N*M
[40 ± 4.0 LBF*IN]

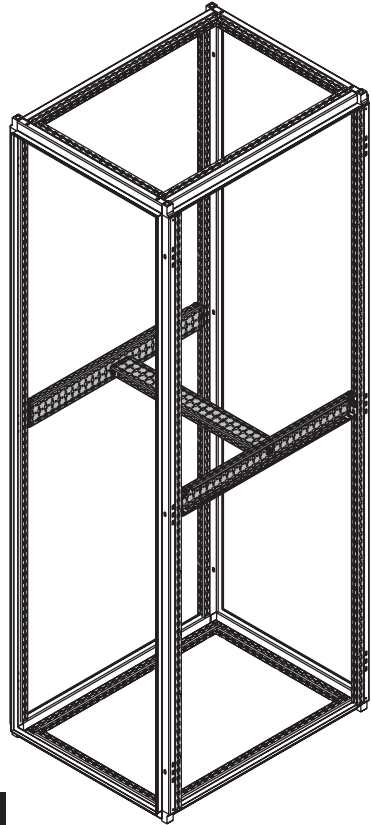
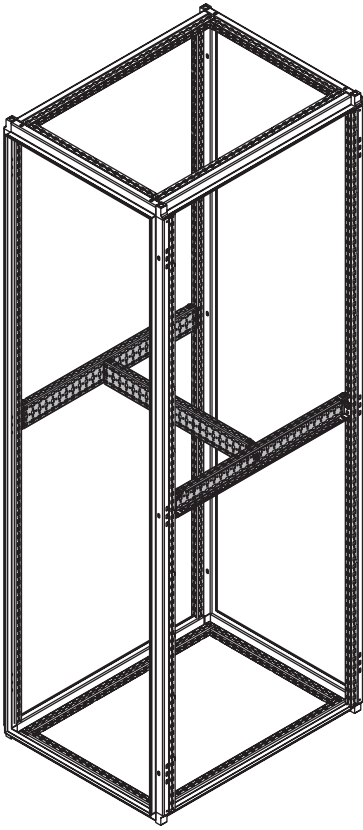
3



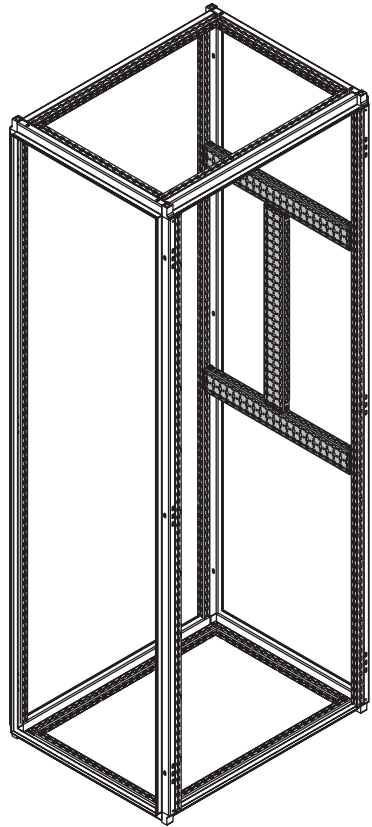
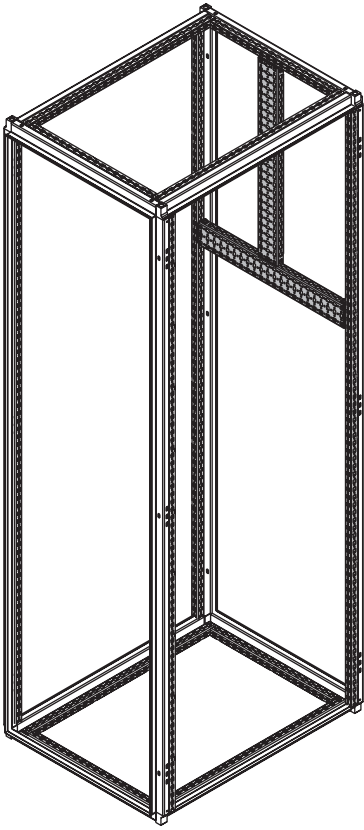
2X



3



4a



4b



HOFFMAN