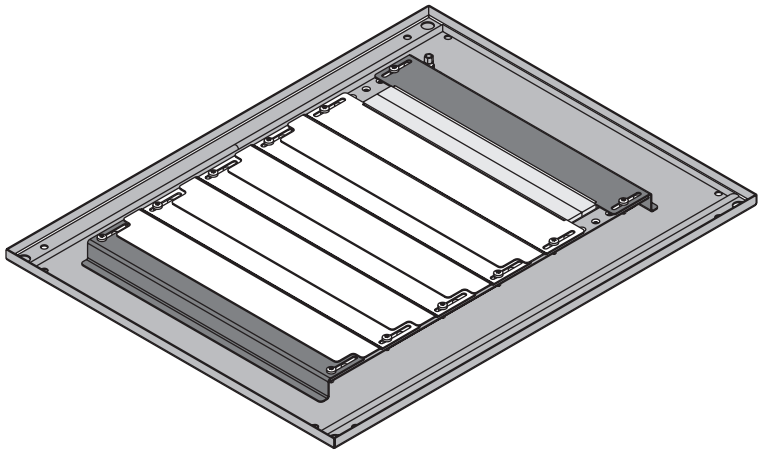
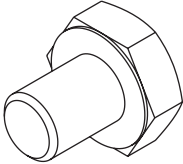
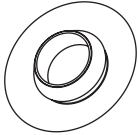
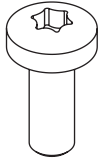
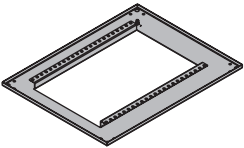
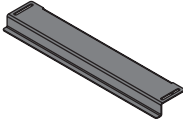
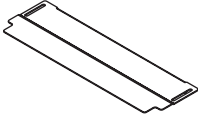
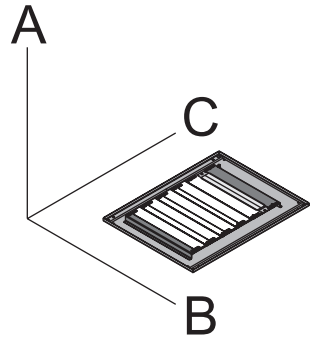


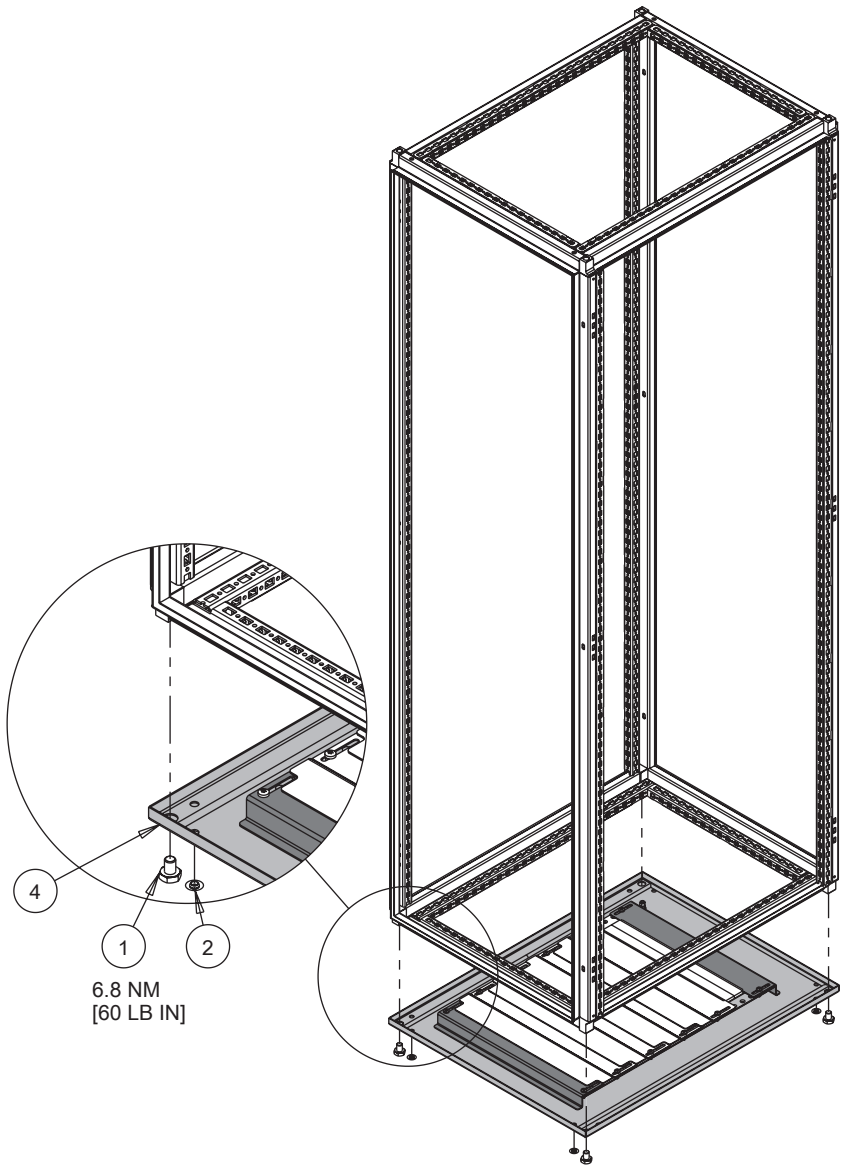
PROLINE G2

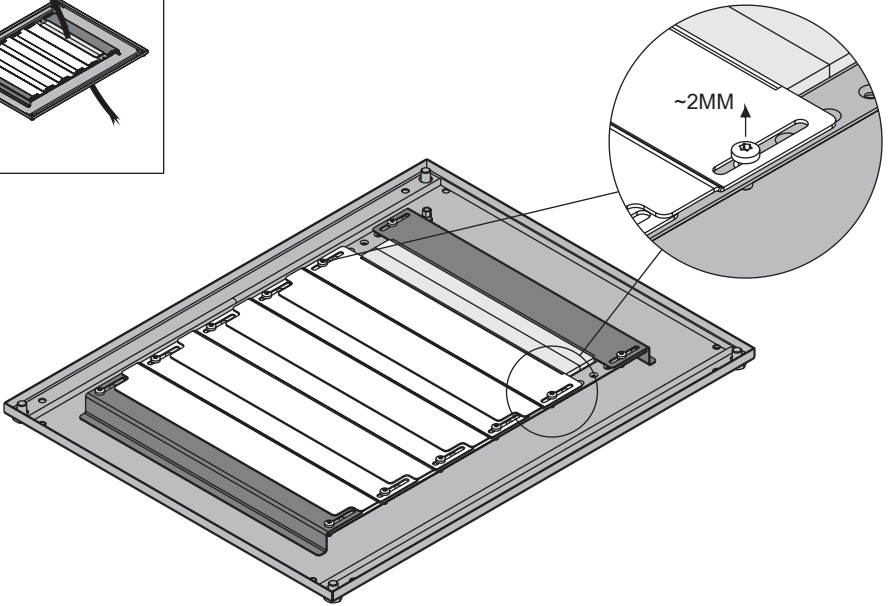
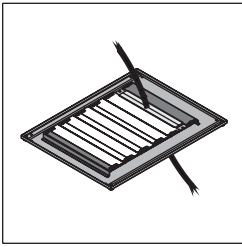


<1200 mm

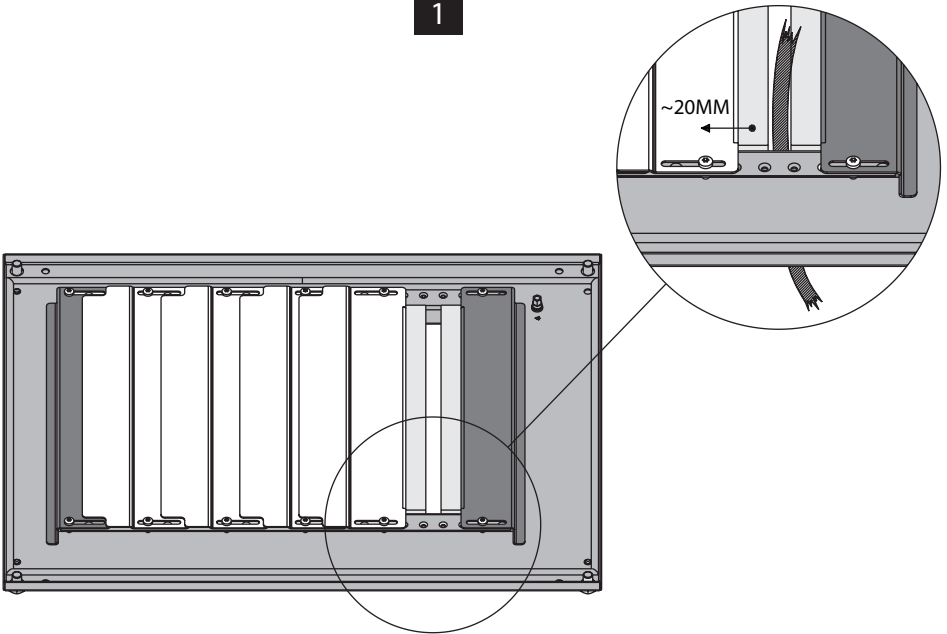
<p>1 M12X16</p>  <p>(4x)</p>	<p>2</p>  <p>(4x)</p>	<p>3 M6X16</p>  <p>C (mm) 400.....(4x) 500.....(6x) 600.....(8x) 800.....(12x) 1000.....(16x)</p>
<p>4</p>  <p>(1x)</p>	<p>5</p>  <p>(2x)</p>	<p>6</p>  <p>C (mm) 400.....(0x) 500.....(1x) 600.....(2x) 800.....(4x) 1000.....(6x)</p>



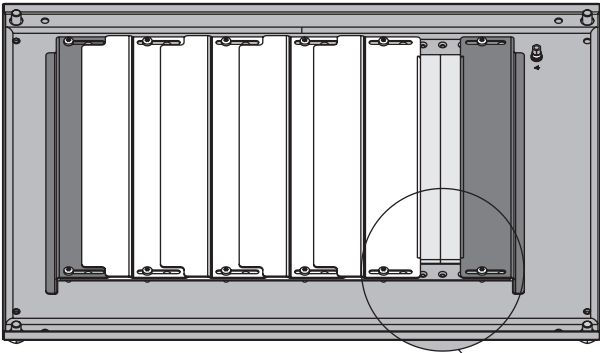




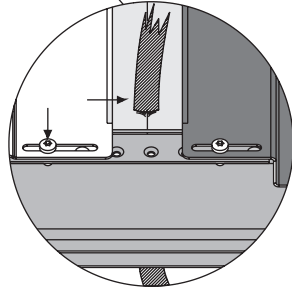
1



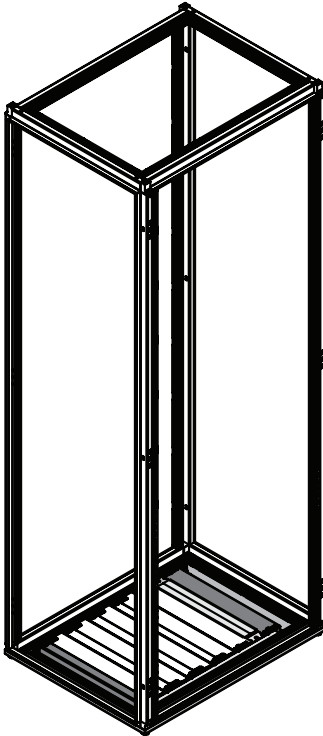
2



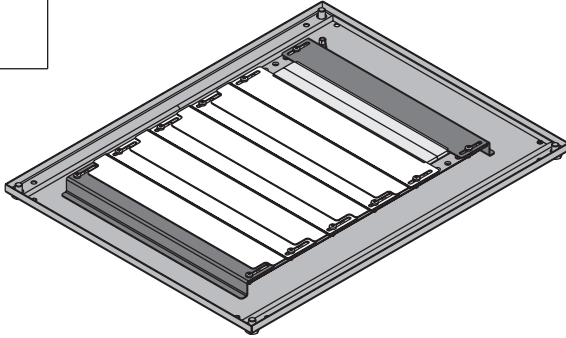
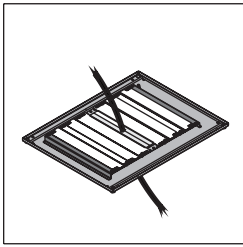
4.0 NM
[35 LB IN]



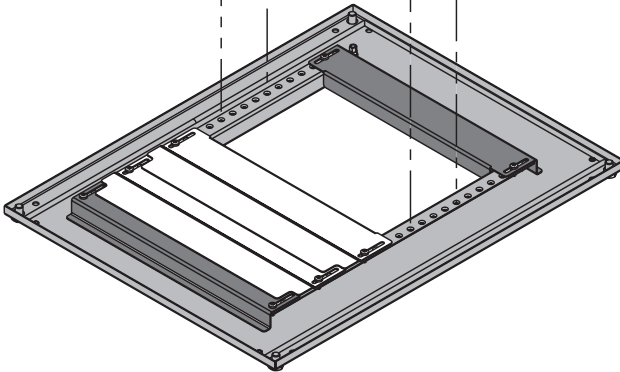
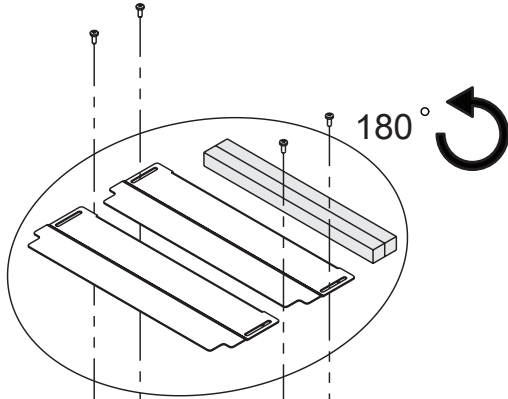
3



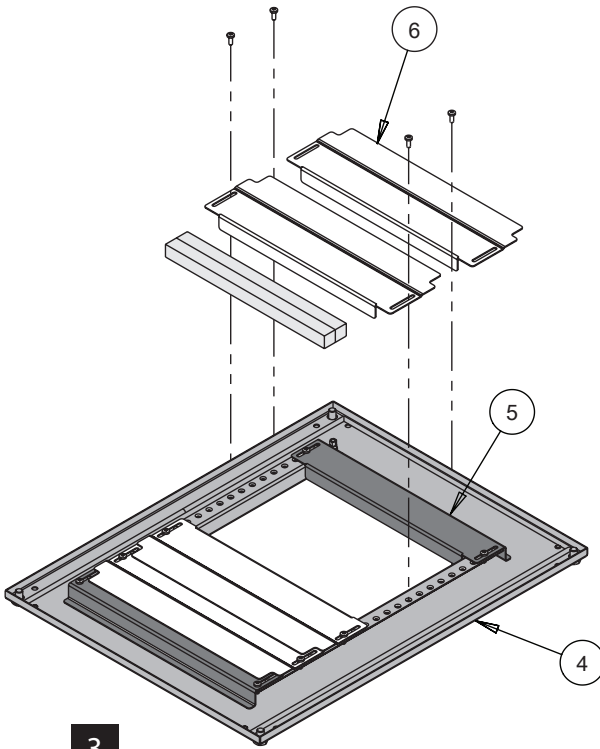
4



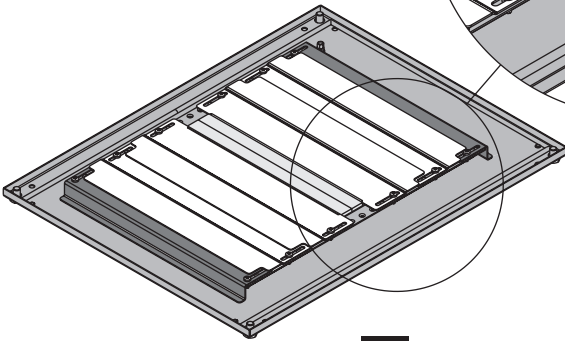
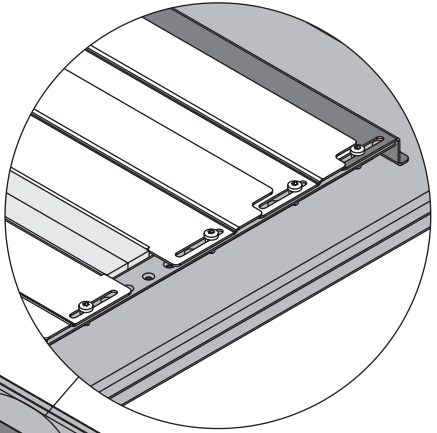
1



2



3



4



HOFFMAN