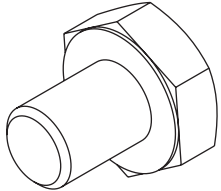
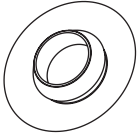
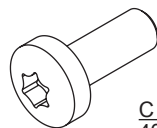
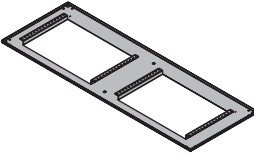
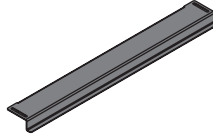
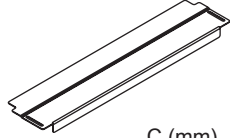
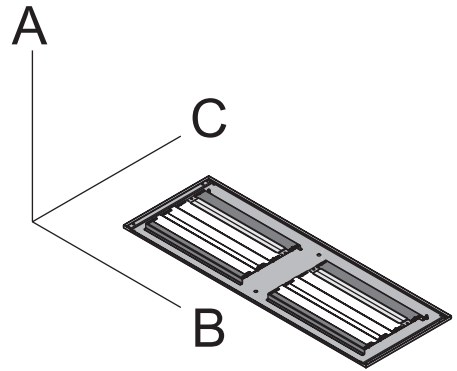
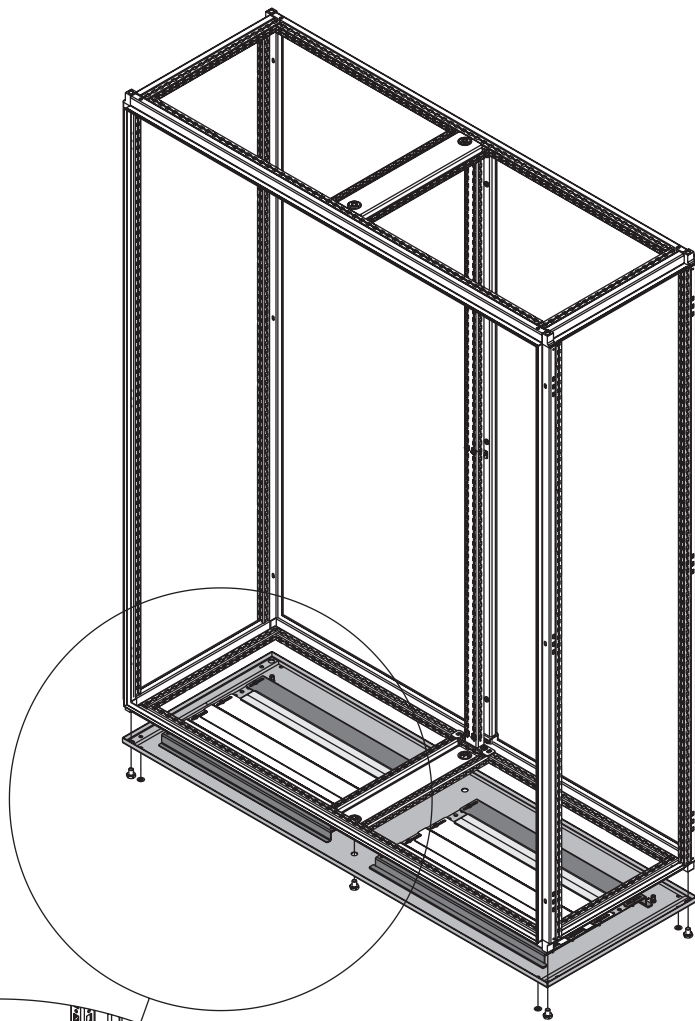


PROLINE G2

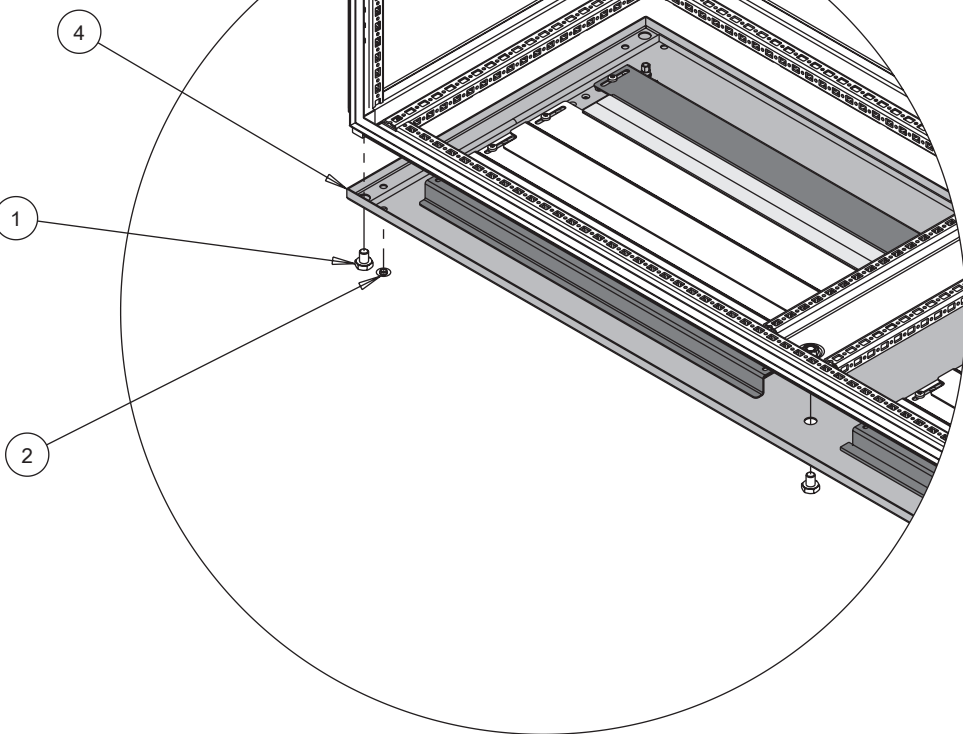


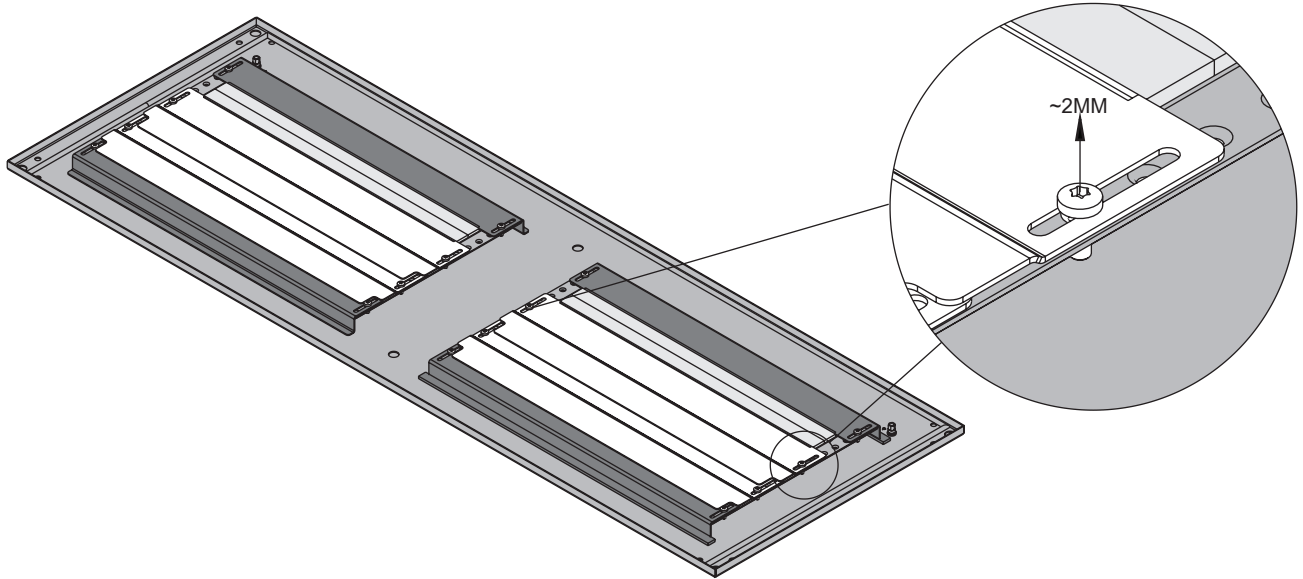
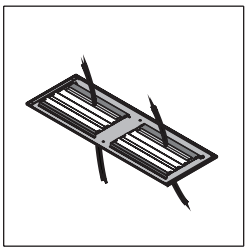
<p>1 M12X16</p>  <p>(6x)</p>	<p>2</p>  <p>(4x)</p>	<p>3 M6X16</p>  <p>C (mm) 400.....(8x) 500.....(12x) 600.....(16x) 800.....(24x) 1000.....(32x)</p>
<p>4</p>  <p>(1x)</p>	<p>5</p>  <p>(4x)</p>	<p>6</p>  <p>C (mm) 400.....(0x) 500.....(2x) 600.....(4x) 800.....(8x) 1000.....(12x)</p>



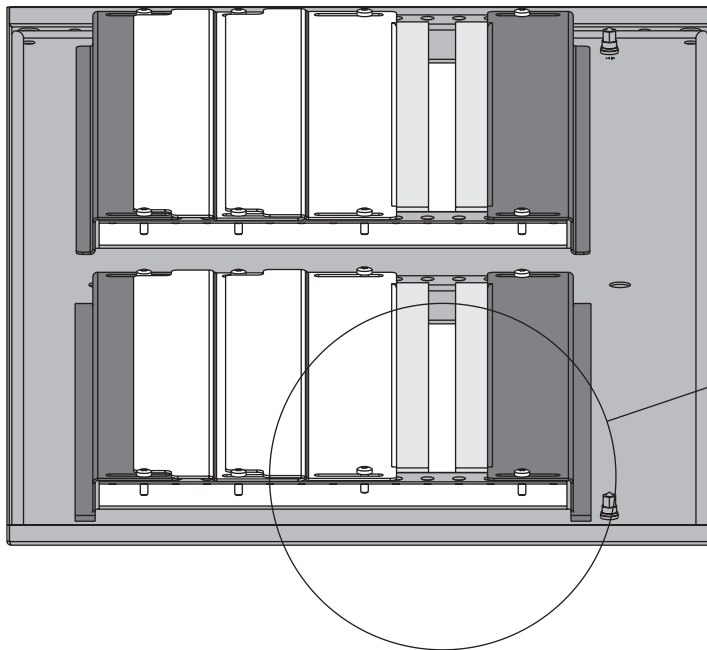


6.8 NM
[60 LB IN]

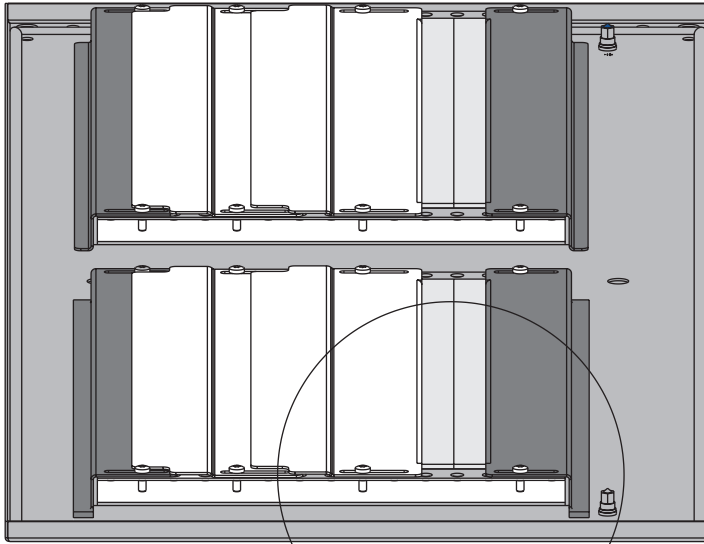




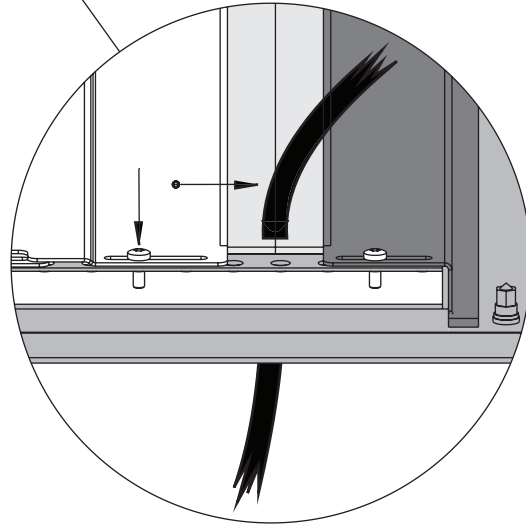
1



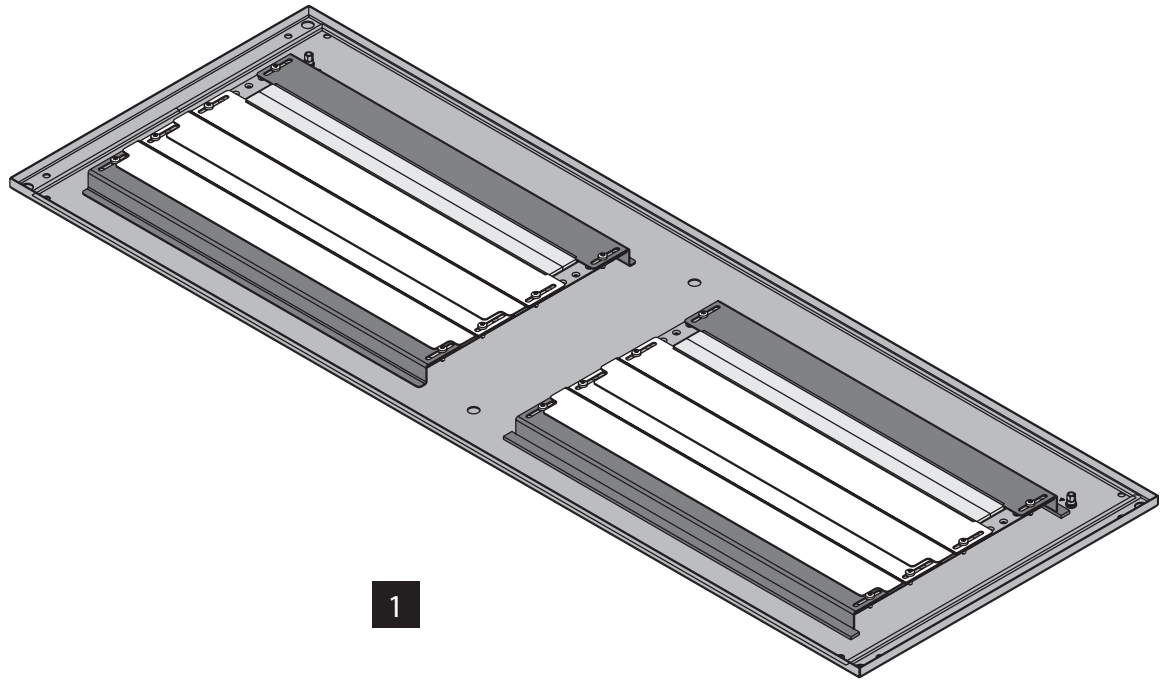
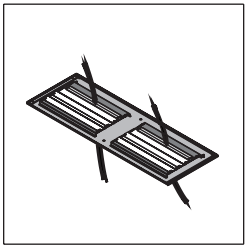
2



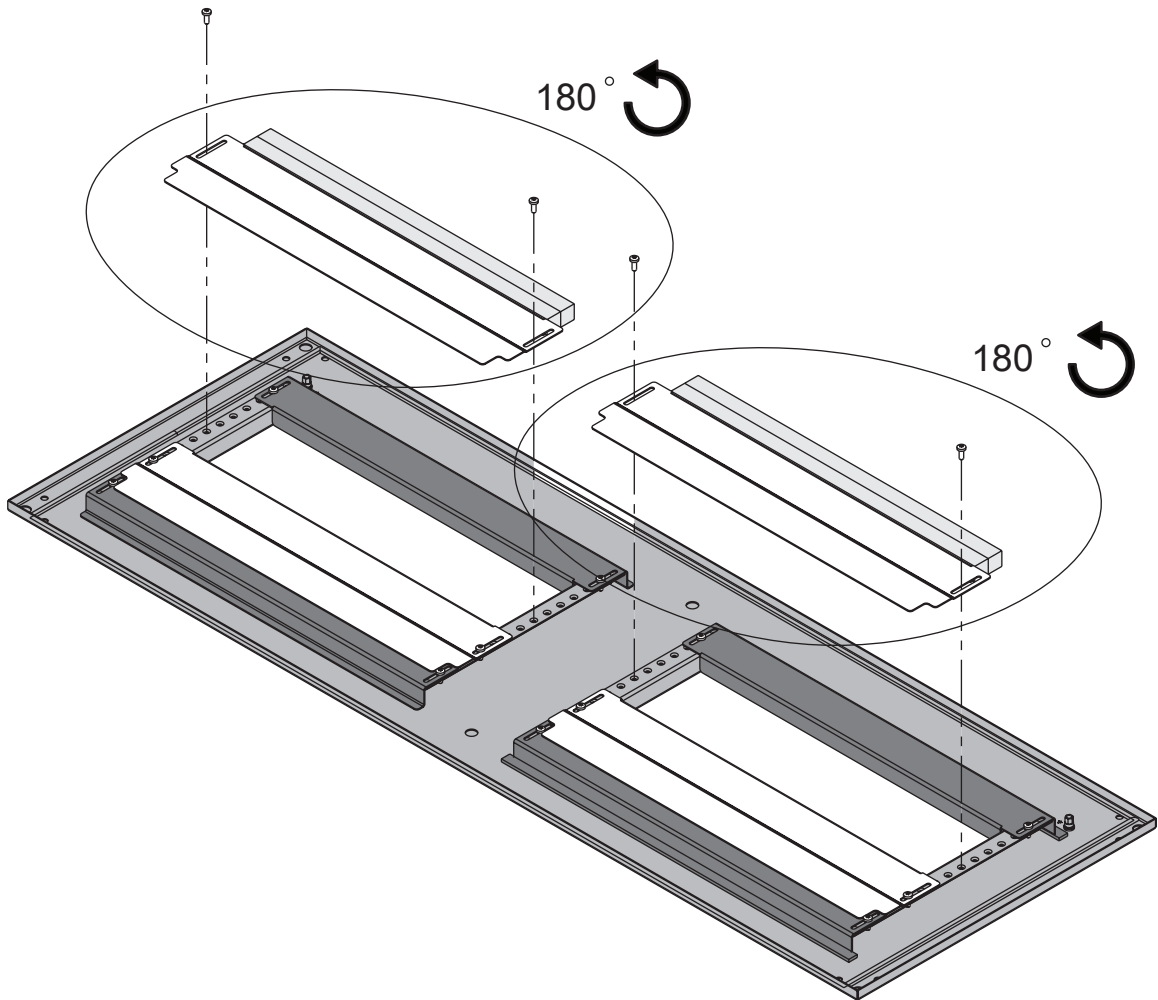
4.0 NM
[35 LB IN]



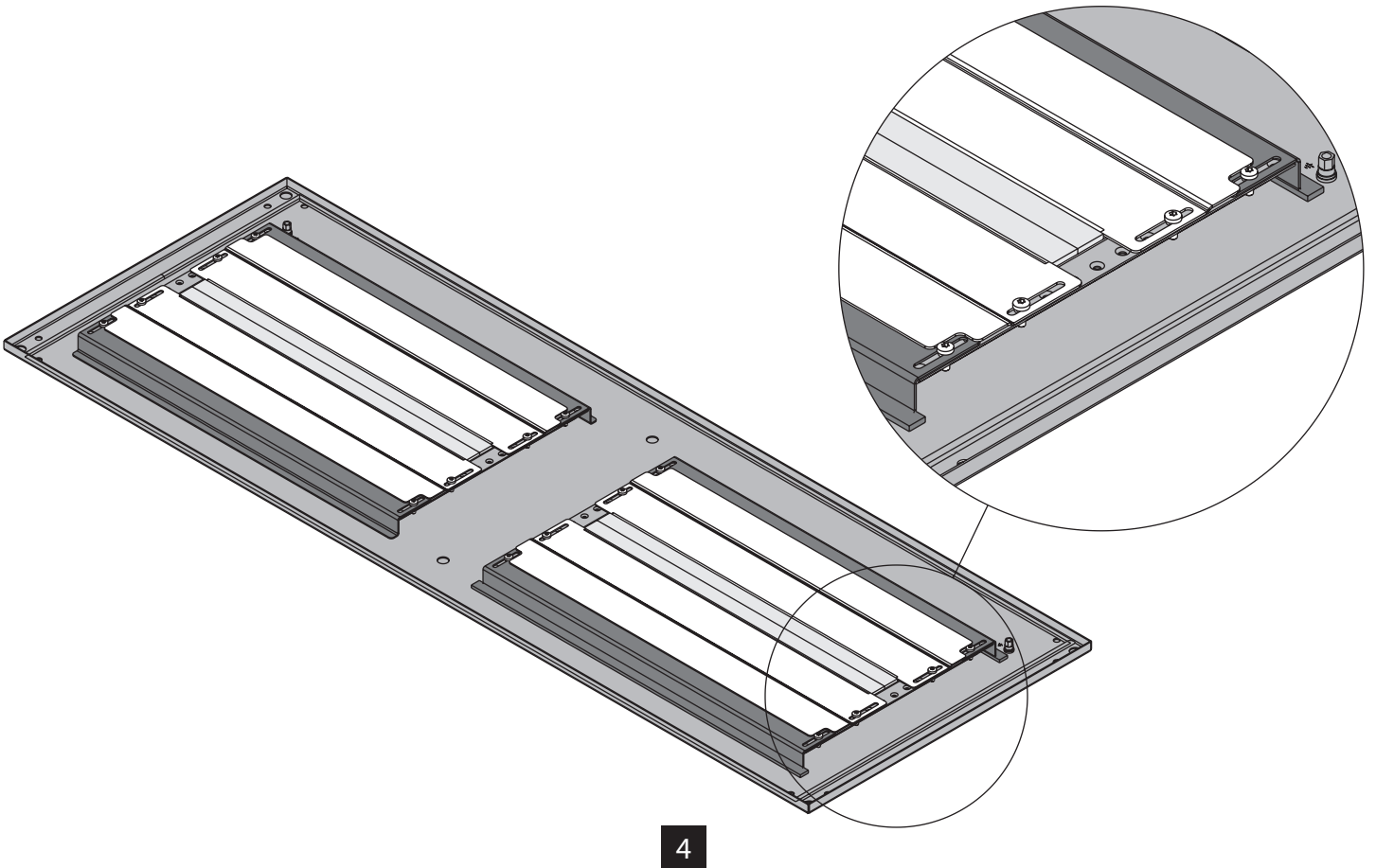
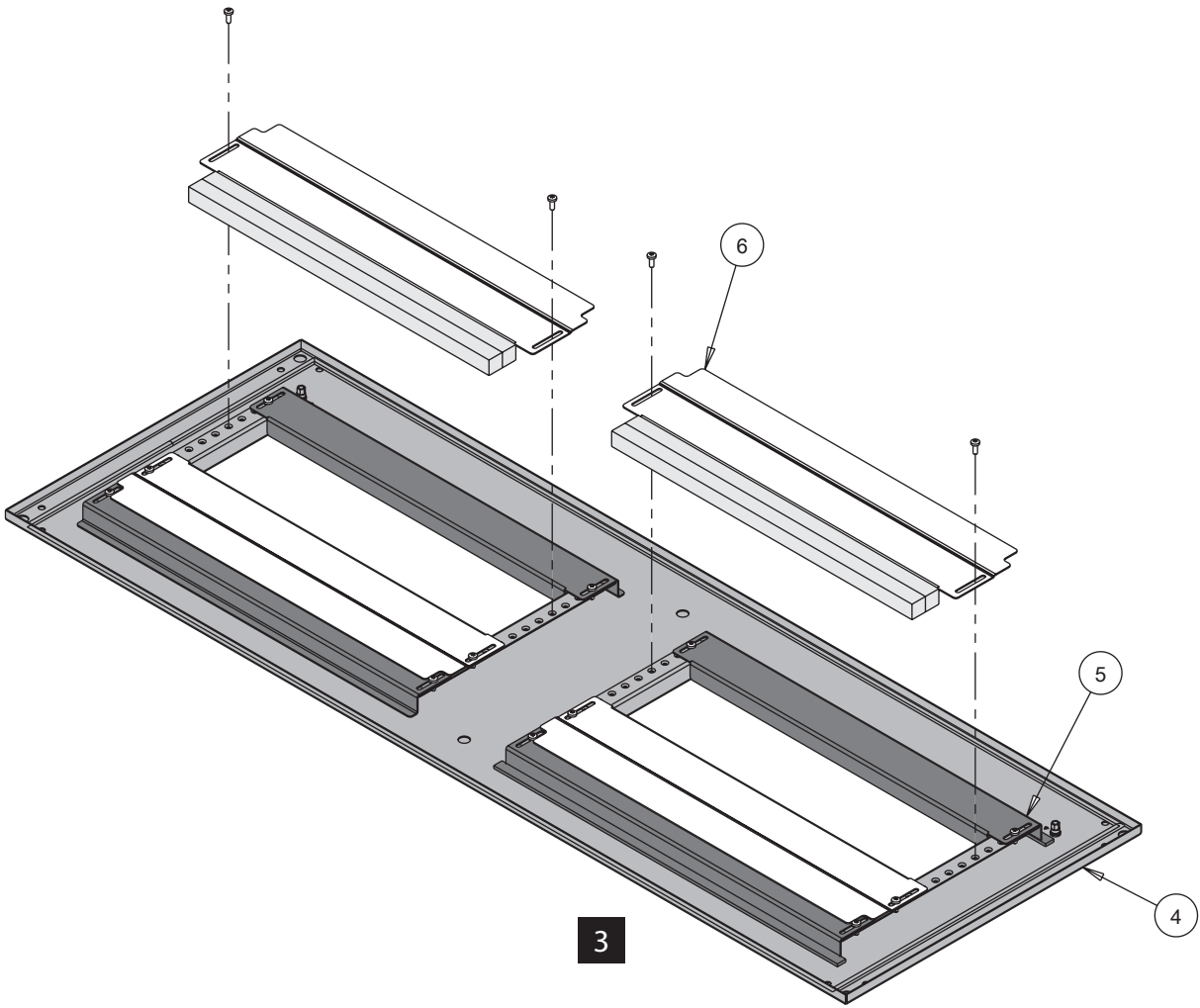
3



1



2





HOFFMAN