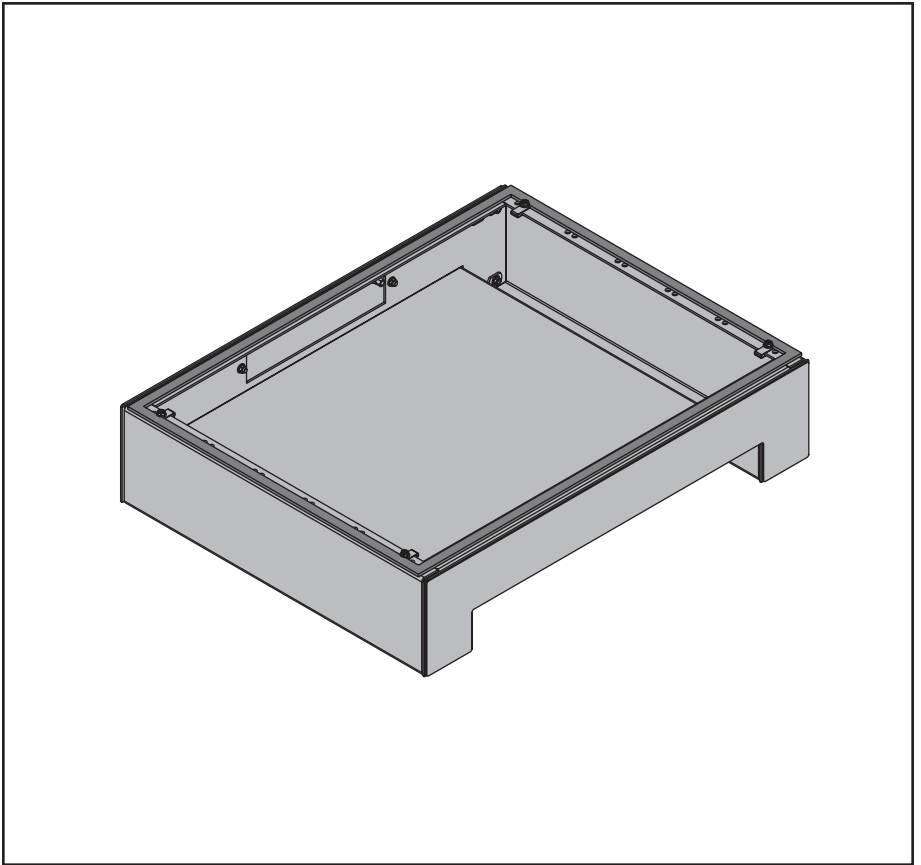
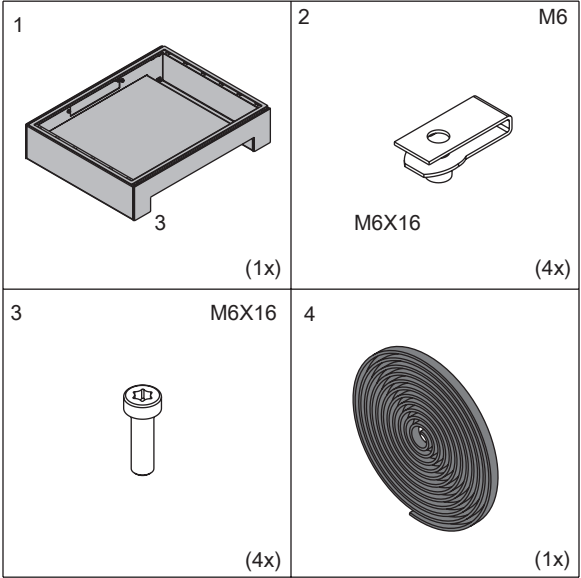


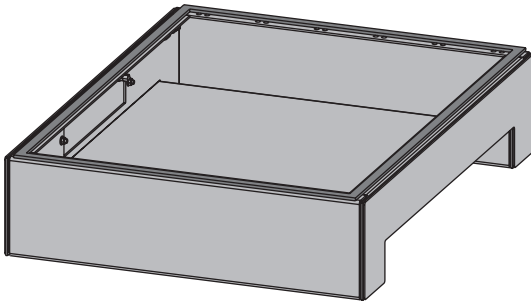
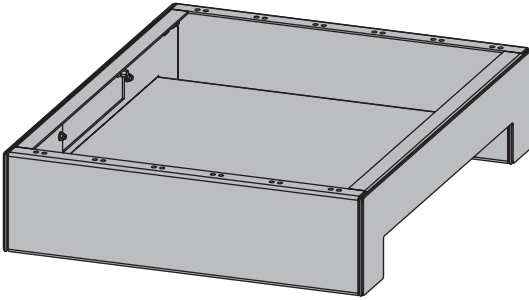
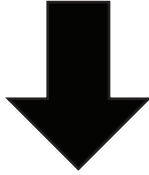
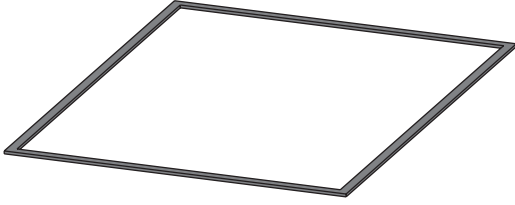


HOFFMAN

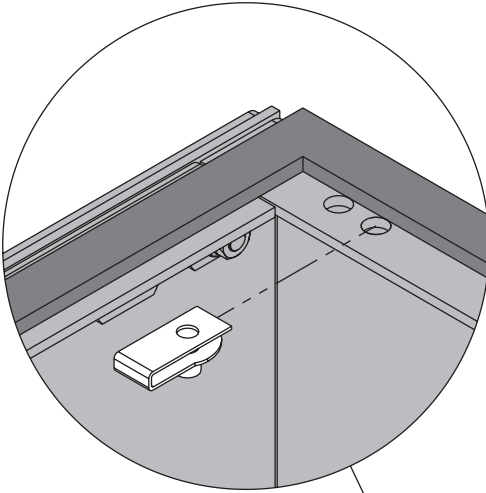
PROLINE G2



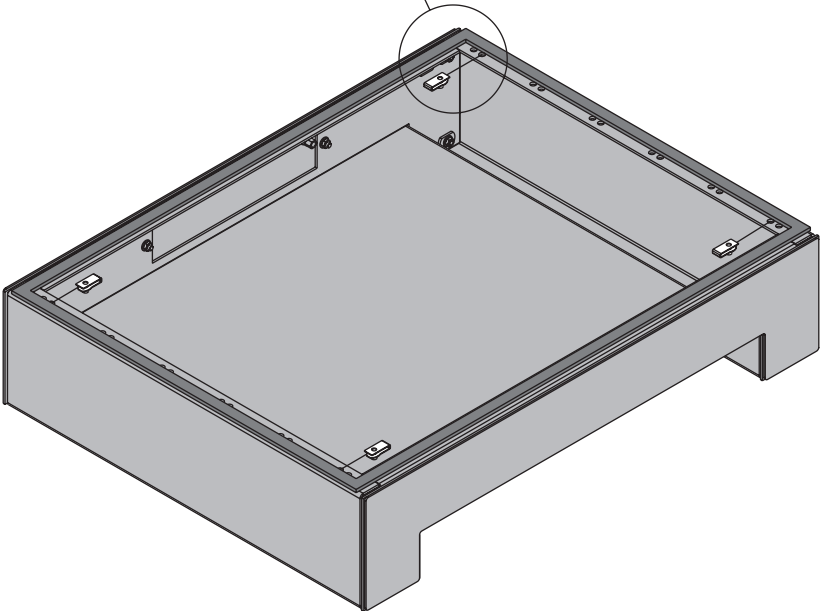




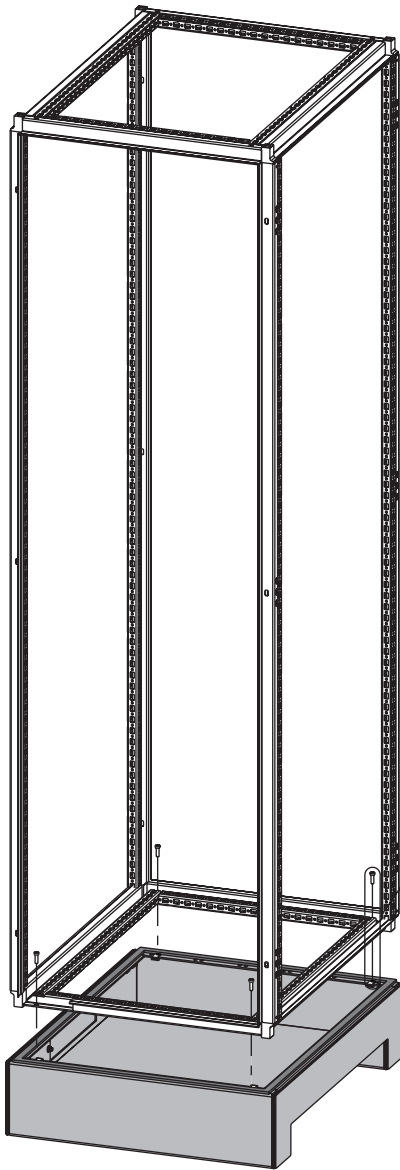
1



4X



2



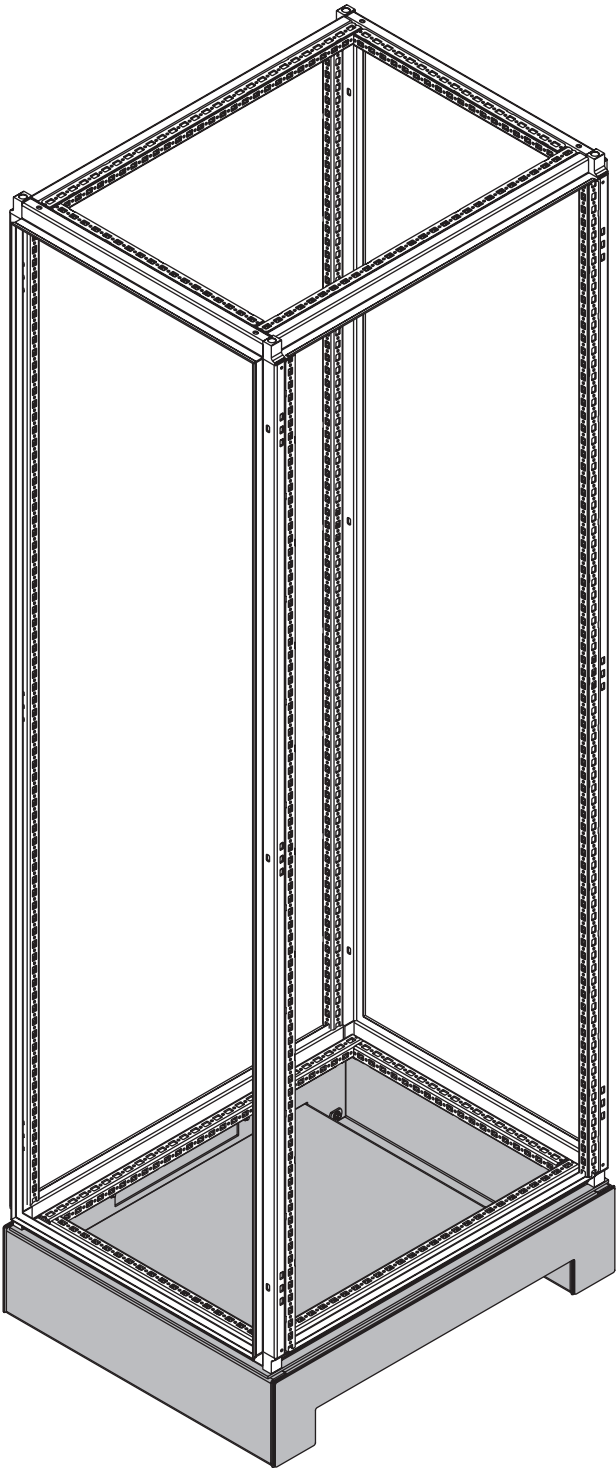
$13.6 \pm 1.4 \text{ N}^*\text{M}$
 $[120 \pm 12.0 \text{ LBF}^*\text{IN}]$

3



4X

3





HOFFMAN



HOFFMAN