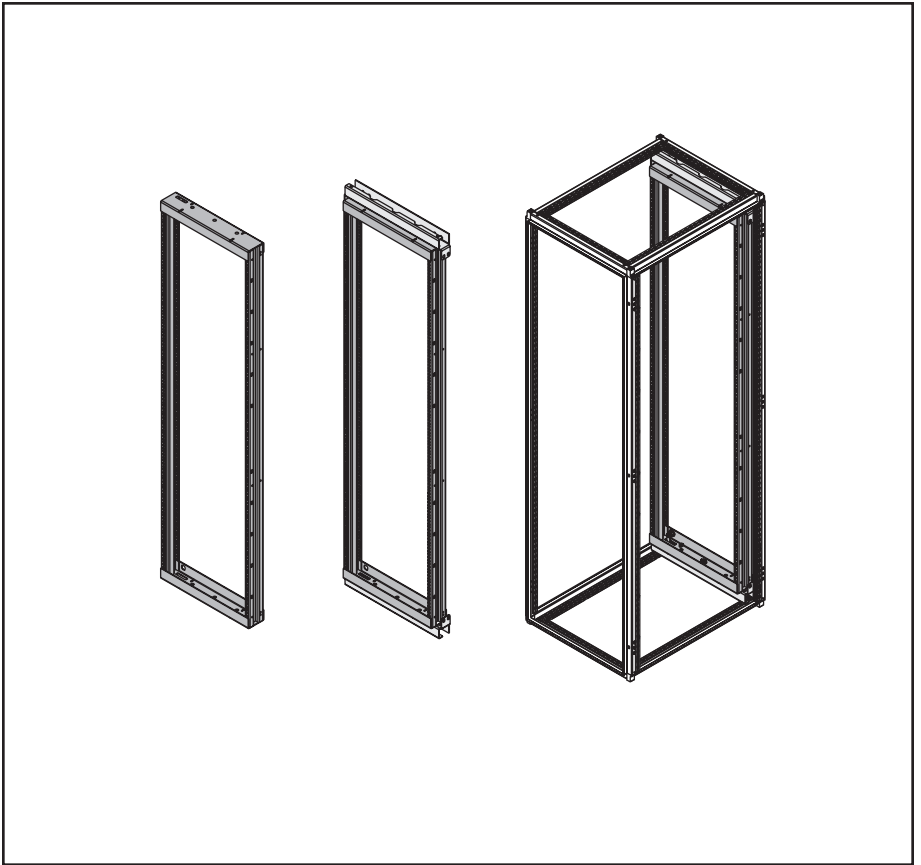
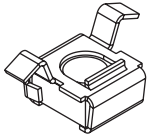
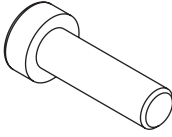
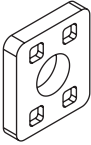
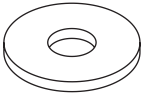
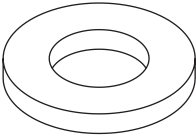

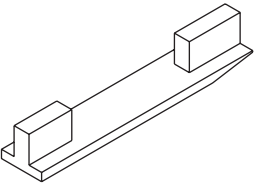
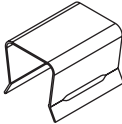
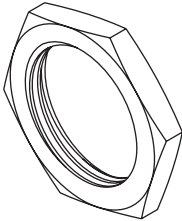
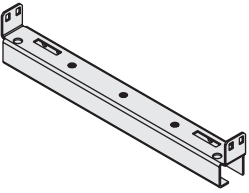

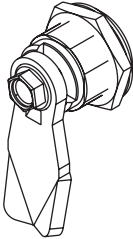


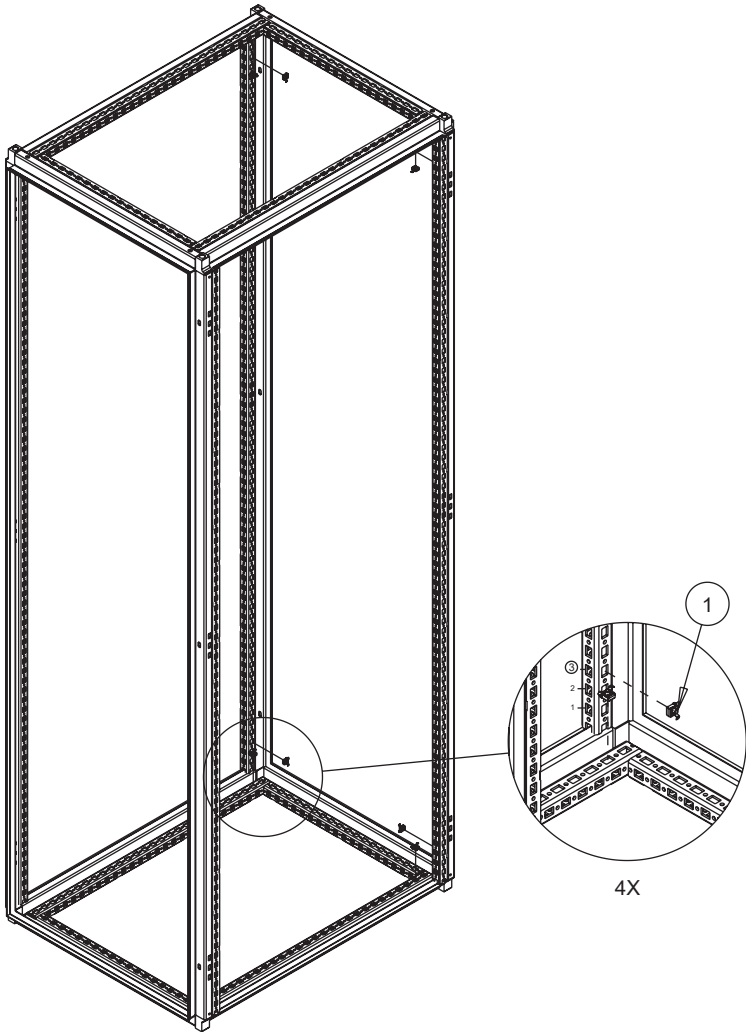
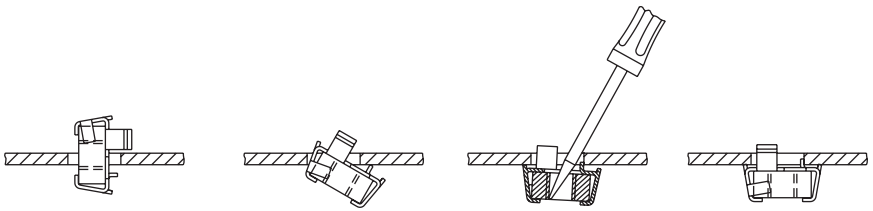


HOFFMAN

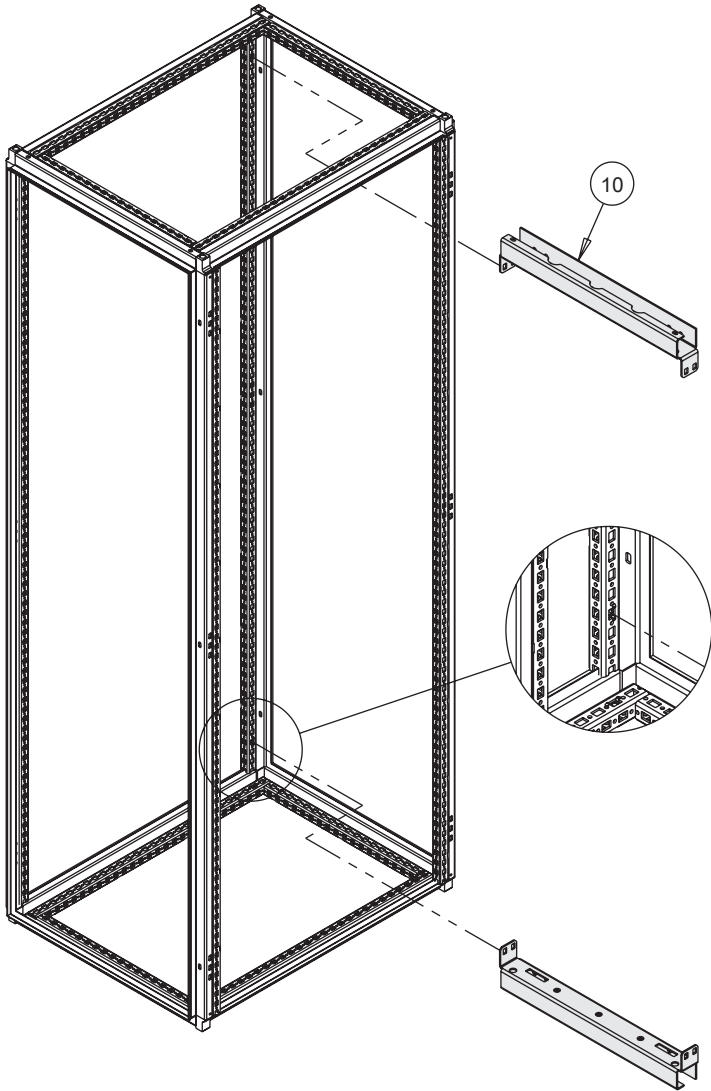
PROLINE G2



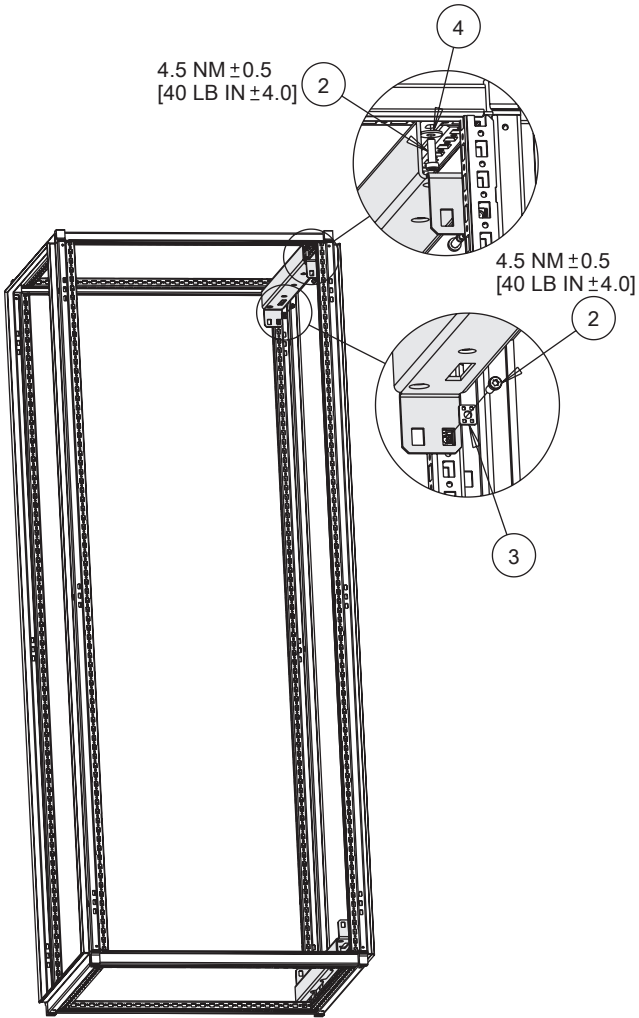
<p>1</p>  <p>(8x)</p>	<p>2</p>  <p>(8x)</p>	<p>3</p>  <p>(8x)</p>
<p>4</p>  <p>(2x)</p>	<p>5</p>  <p>(4x)</p>	<p>6</p>  <p>(2x)</p>
<p>7</p>  <p>(1x)</p>	<p>8</p>  <p>(2x)</p>	<p>9</p>  <p>(1x)</p>
<p>10</p>  <p>(2x)</p>	<p>11</p>  <p>(1x)</p>	<p>12</p>  <p>(2x)</p>



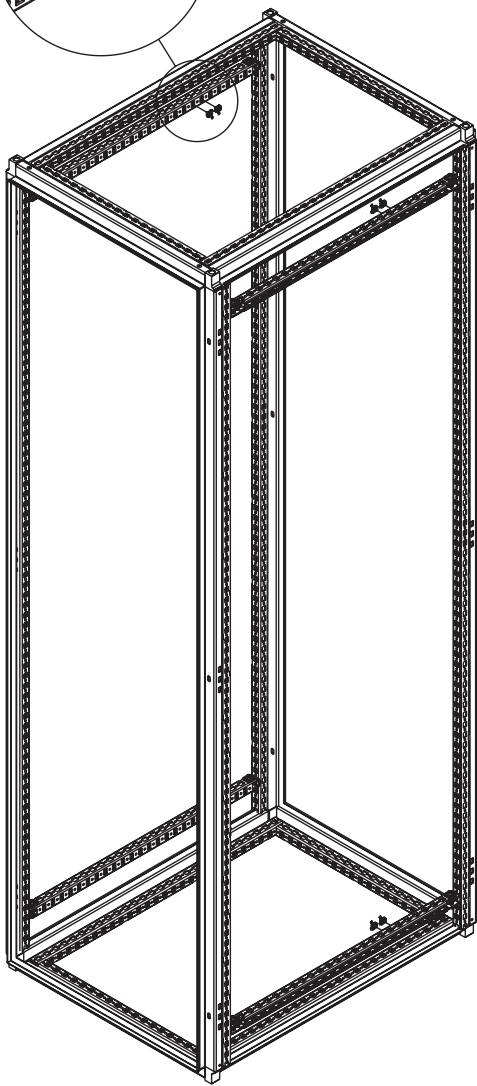
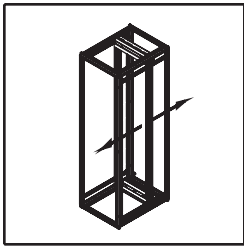
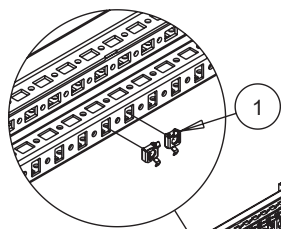
1



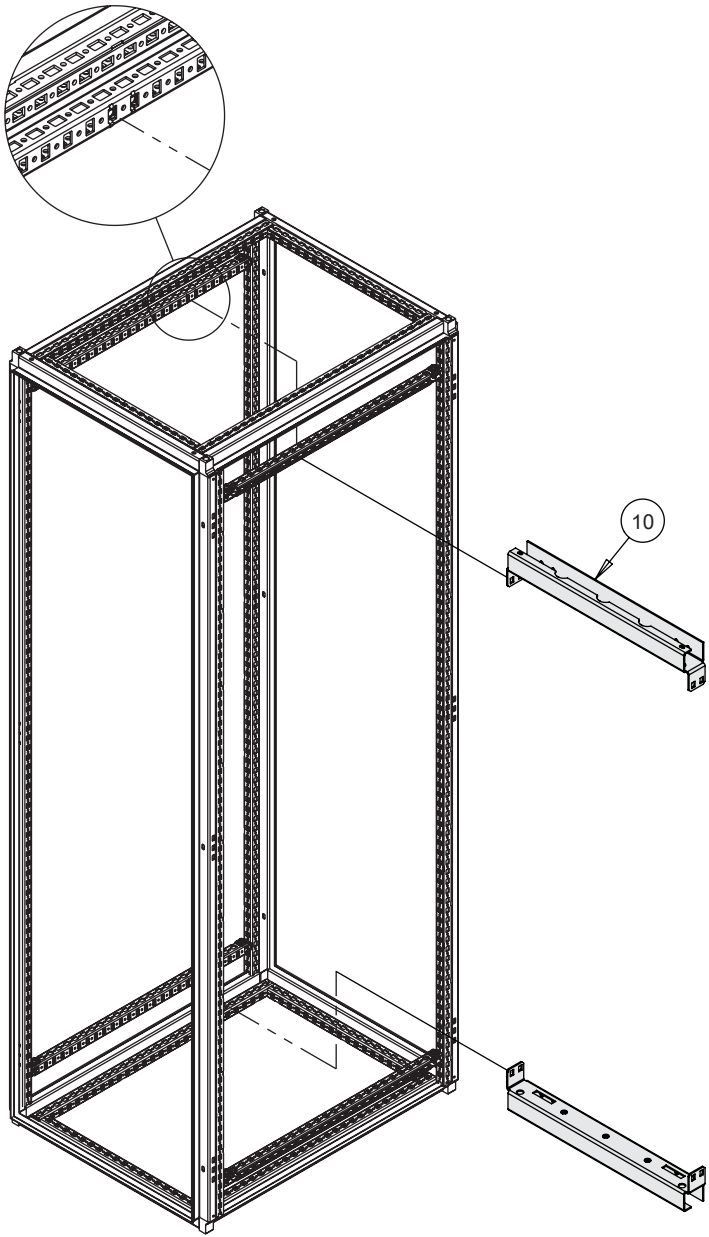
2.1.a



2.1.b

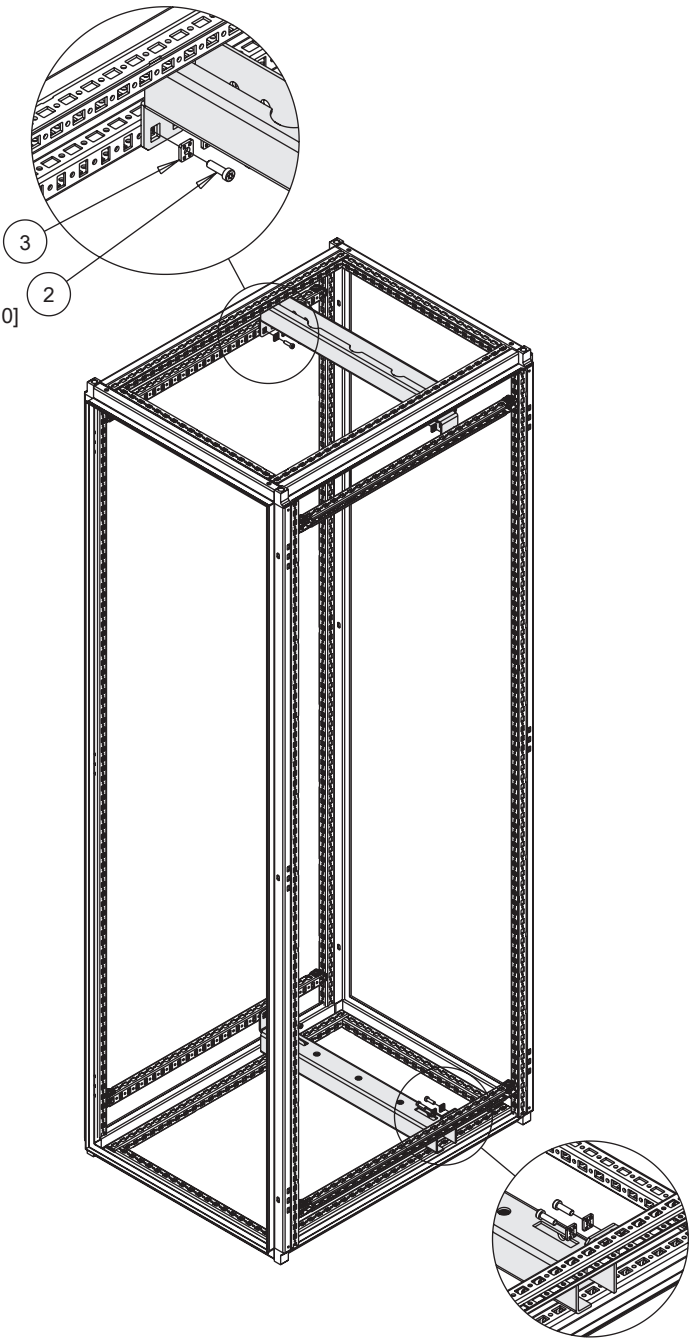


2.2.a

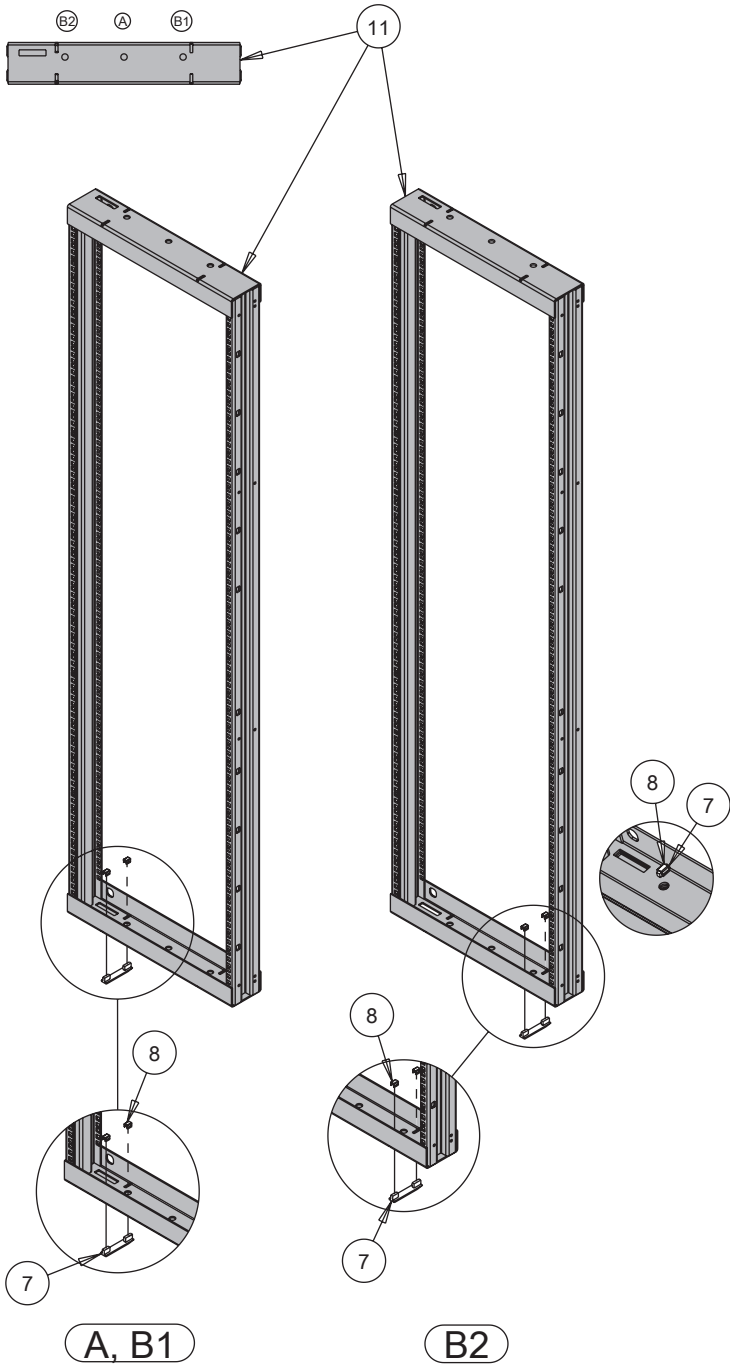


2.2.b

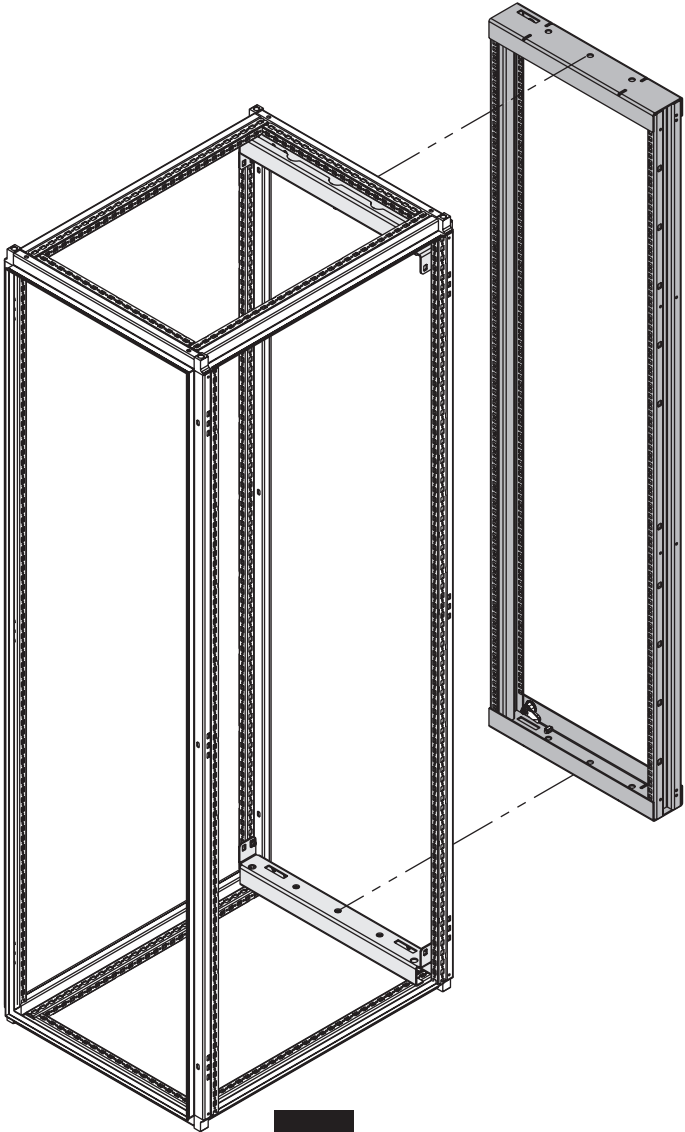
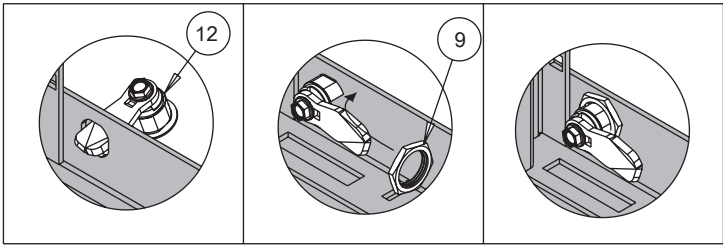
4.5 NM \pm 0.5
[40 LB IN \pm 4.0]

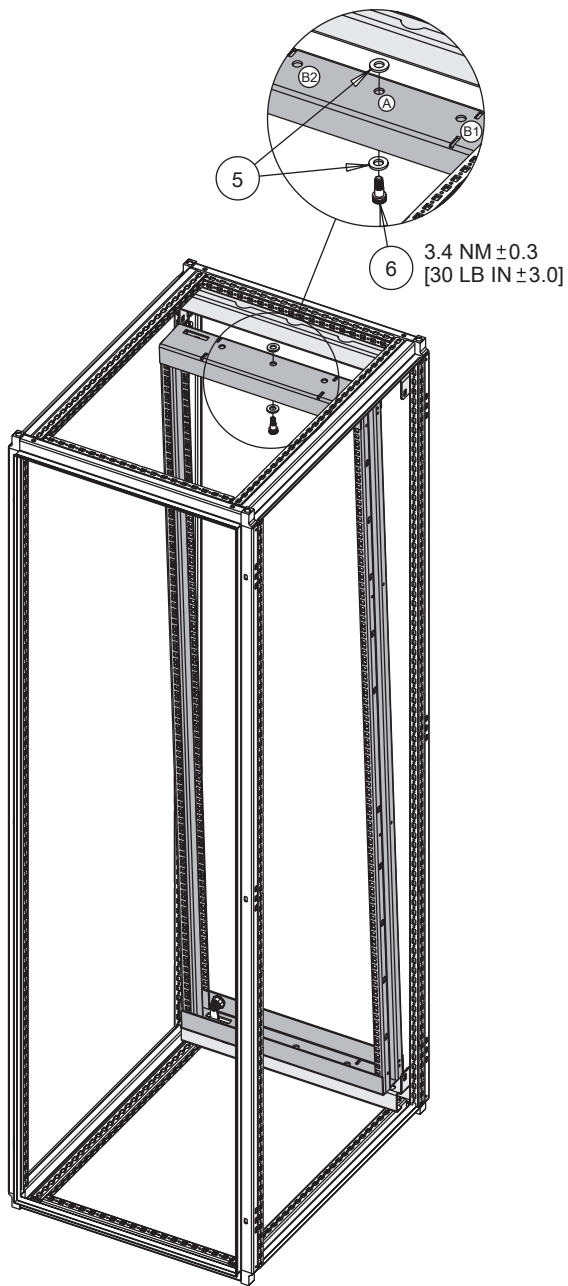


2.2.c

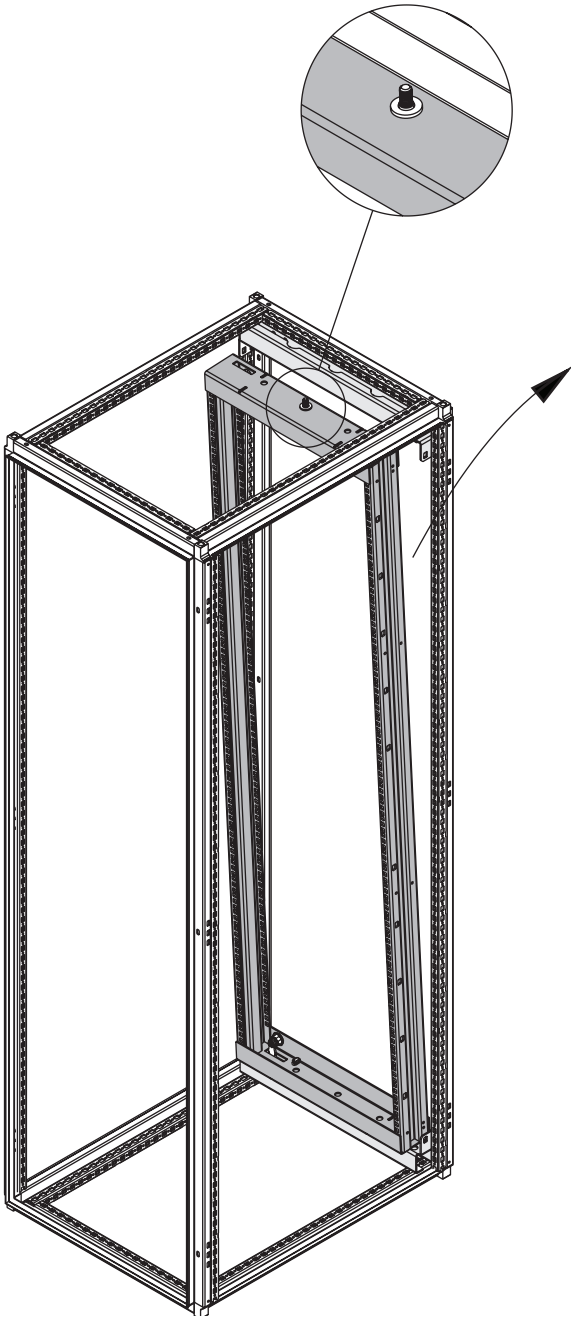


3.a

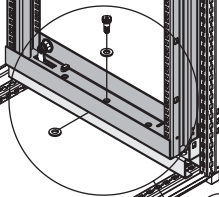
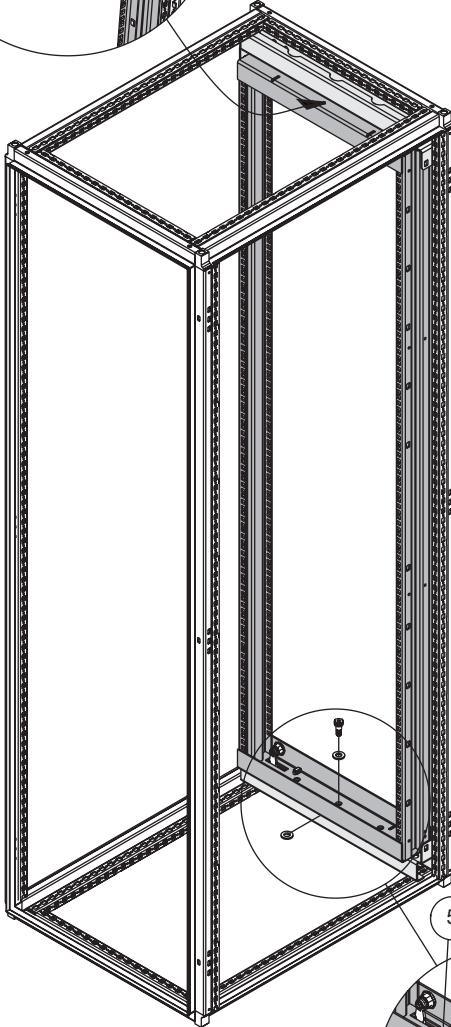
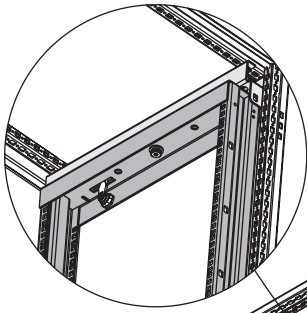




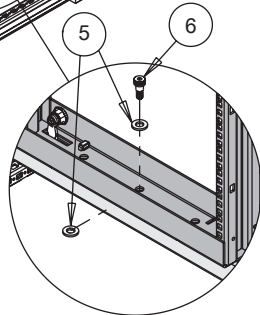
3c



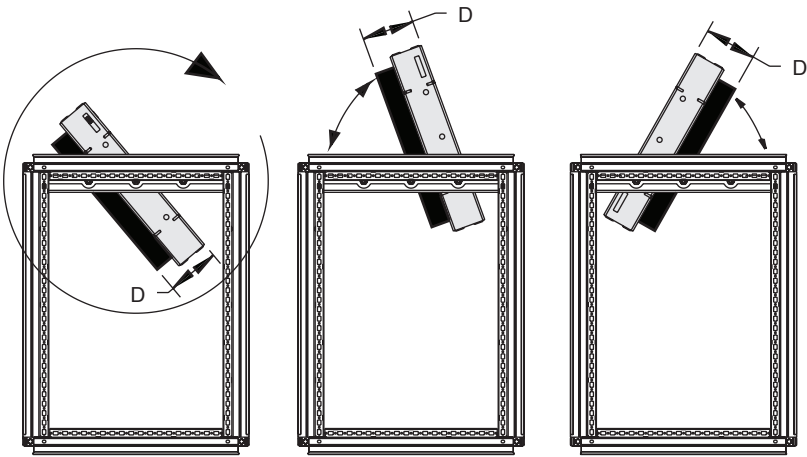
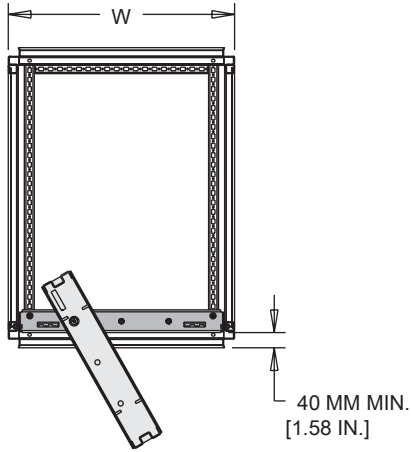
3d



3.4 NM ±0.3
[30 LB IN ±3.0]



3e



A

B1

B2

W	D mm [in.]	
	A	B1, B2
600	170 [6.7]	210 [8.3]
800	320 [12.6]	495 [19.5]



HOFFMAN



HOFFMAN