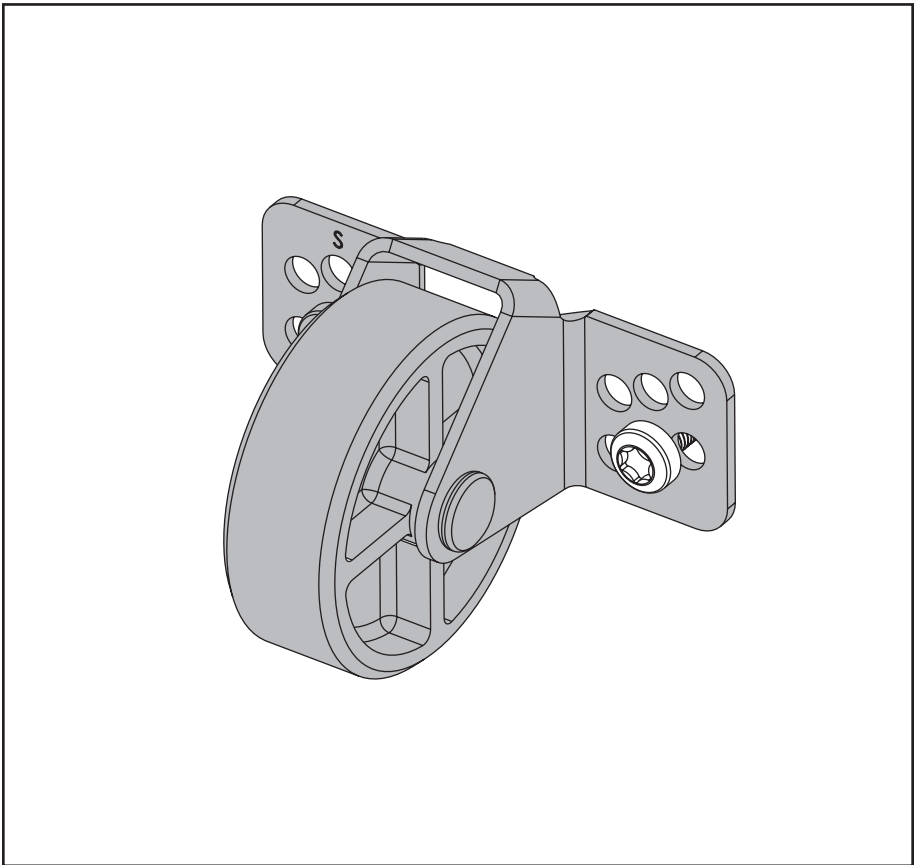
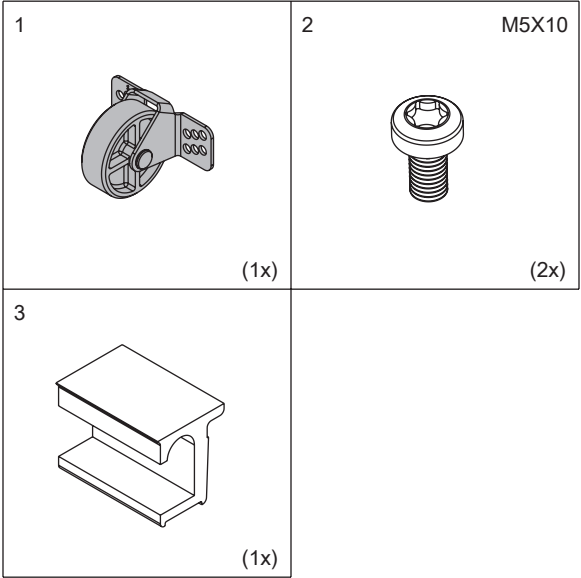


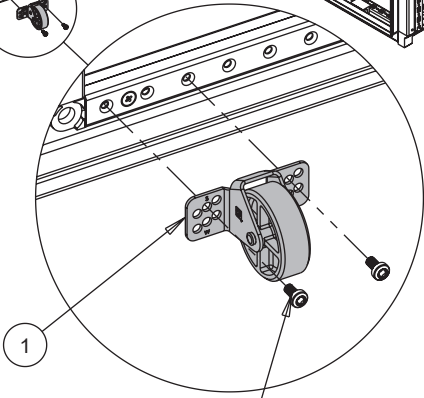
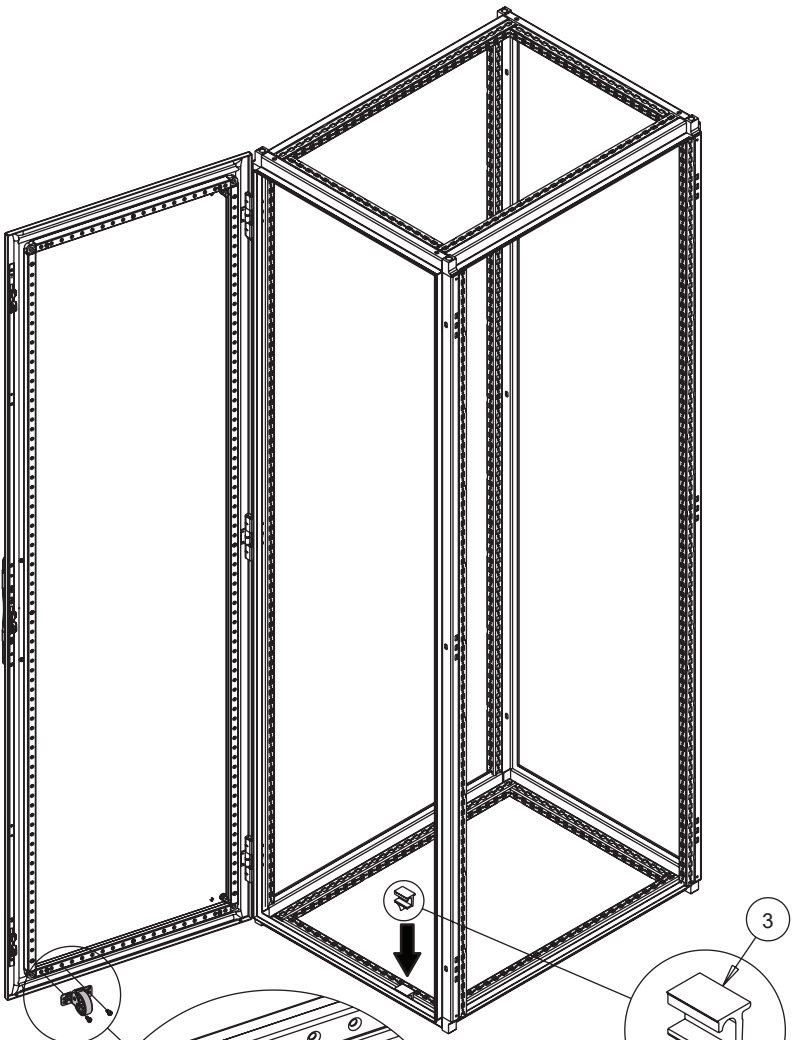


HOFFMAN

PROLINE G2

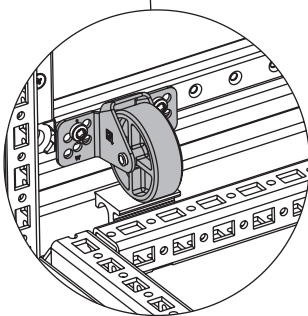
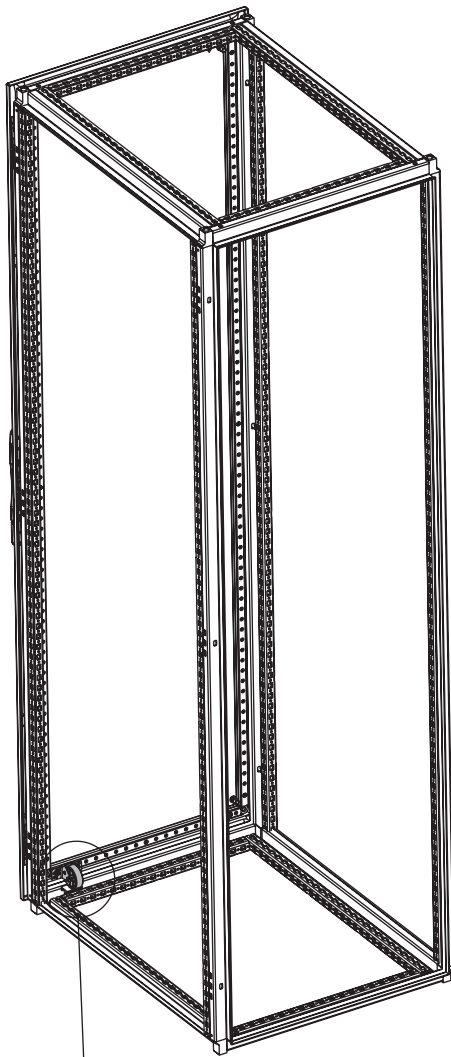






4.0 ± 0.4 N*M
[35 ± 3.5 LBF*IN]

1



2