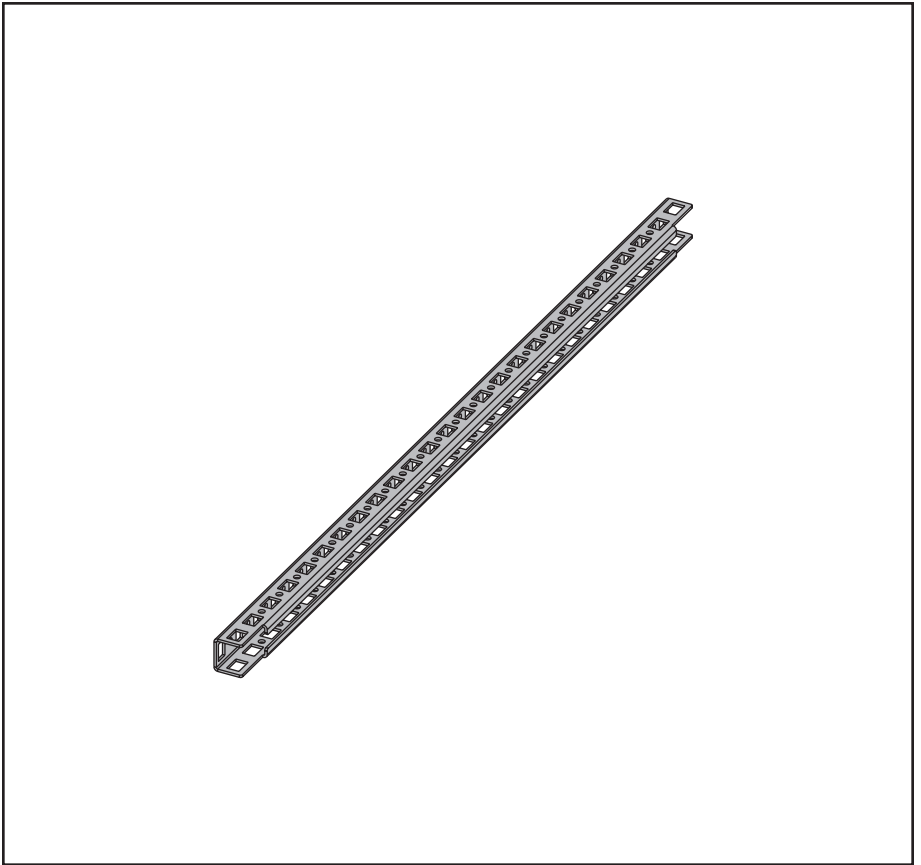
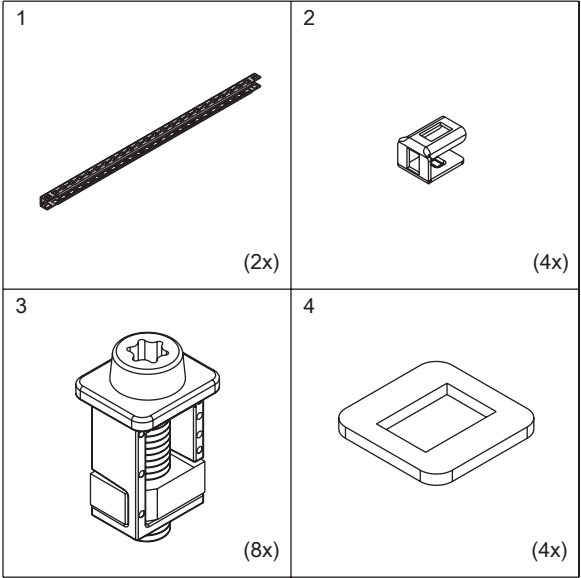


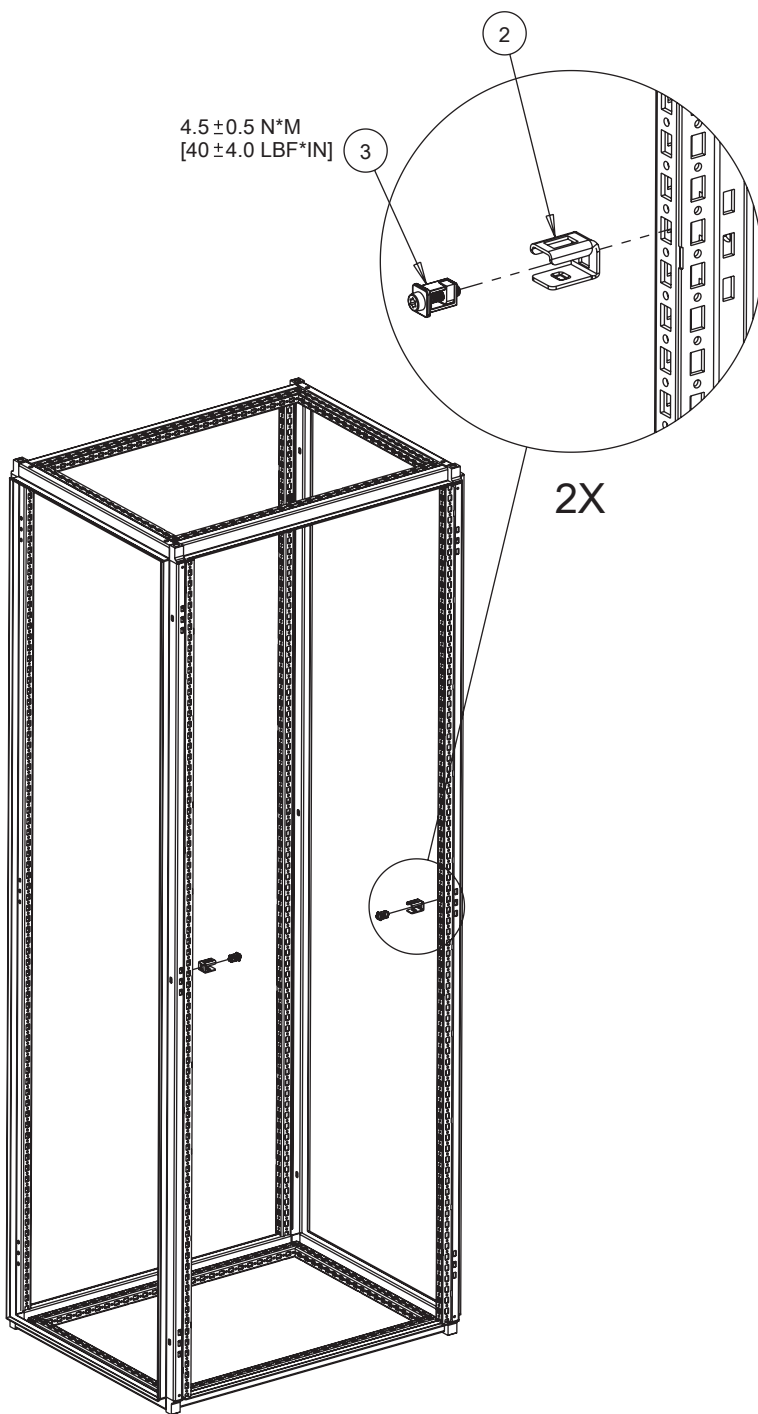


**HOFFMAN**

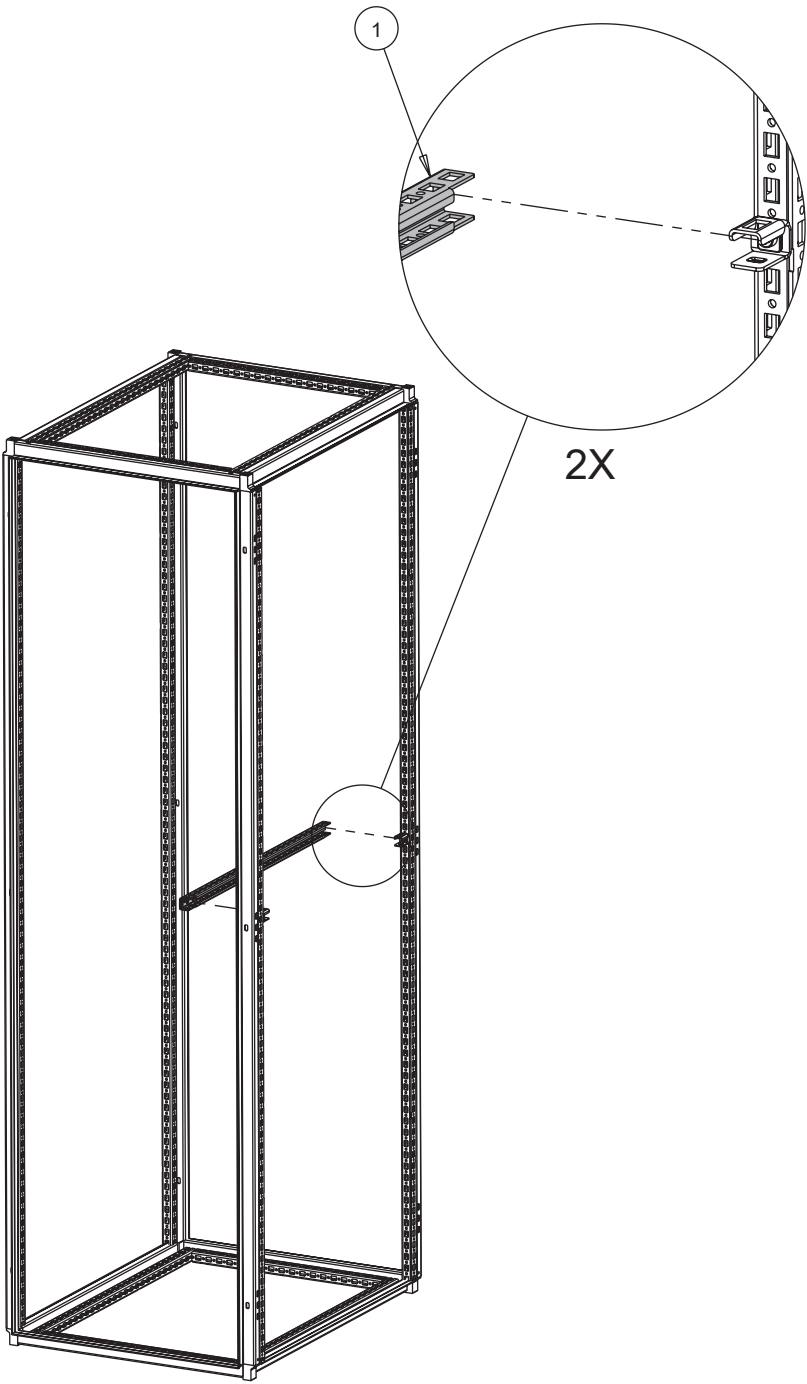
## PROLINE G2



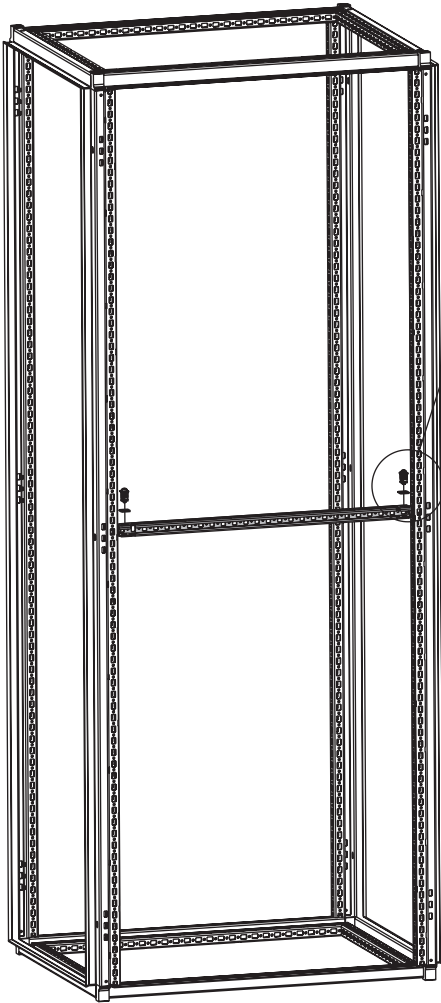




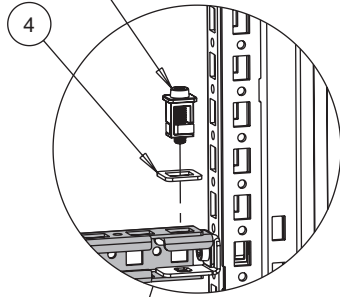
1



2

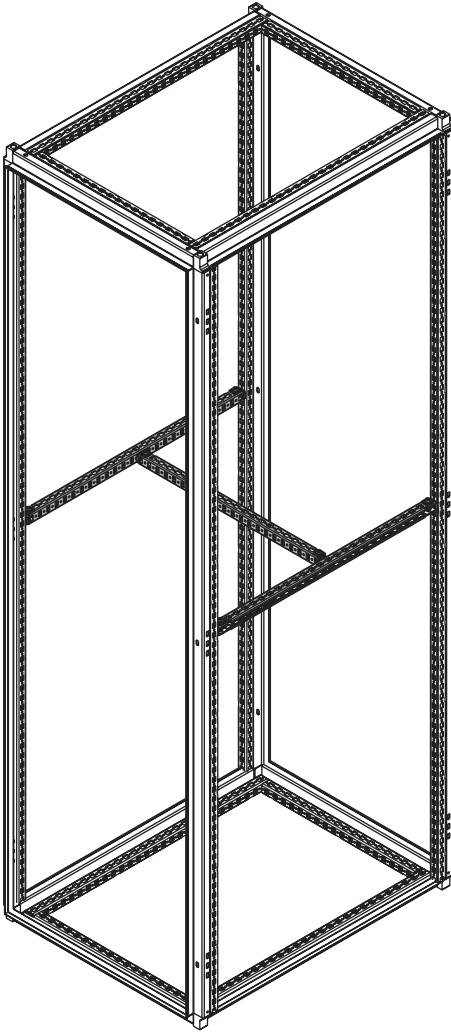


3  
 $4.5 \pm 0.5 \text{ N}\cdot\text{M}$   
 $[40 \pm 4.0 \text{ LBF}\cdot\text{IN}]$

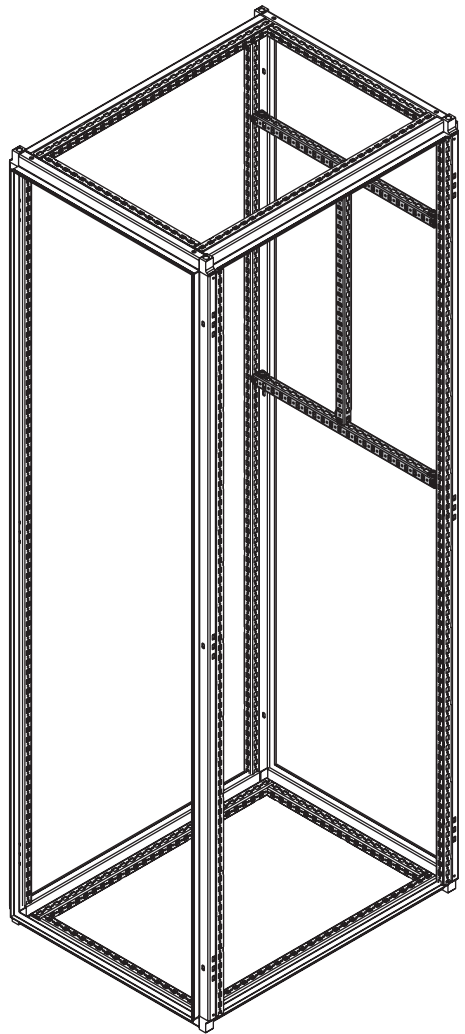


2X

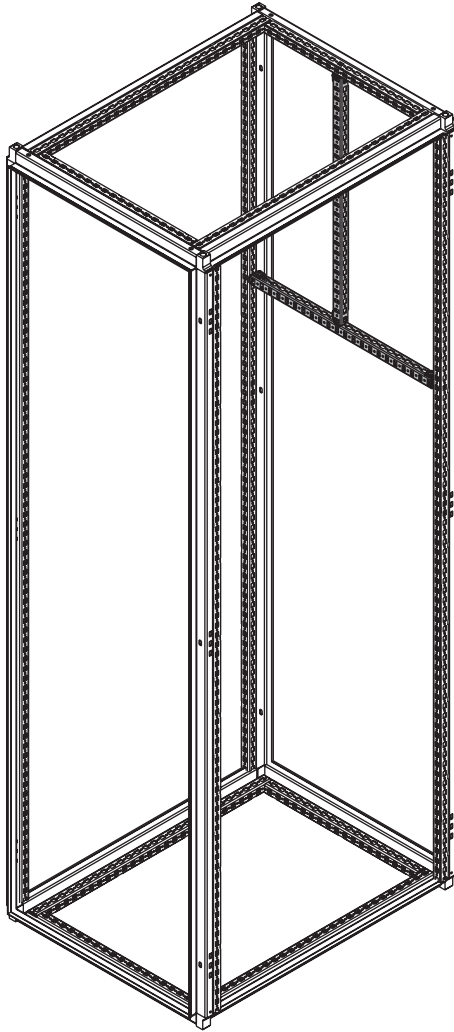
3



4a



4b



4c



**HOFFMAN**