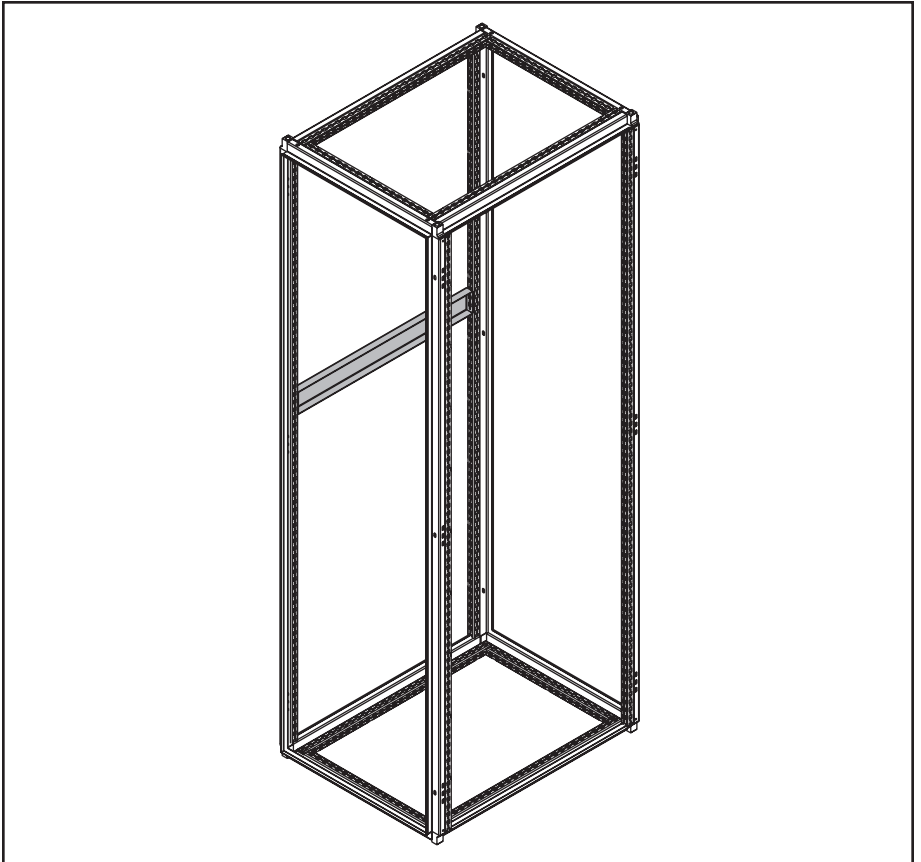
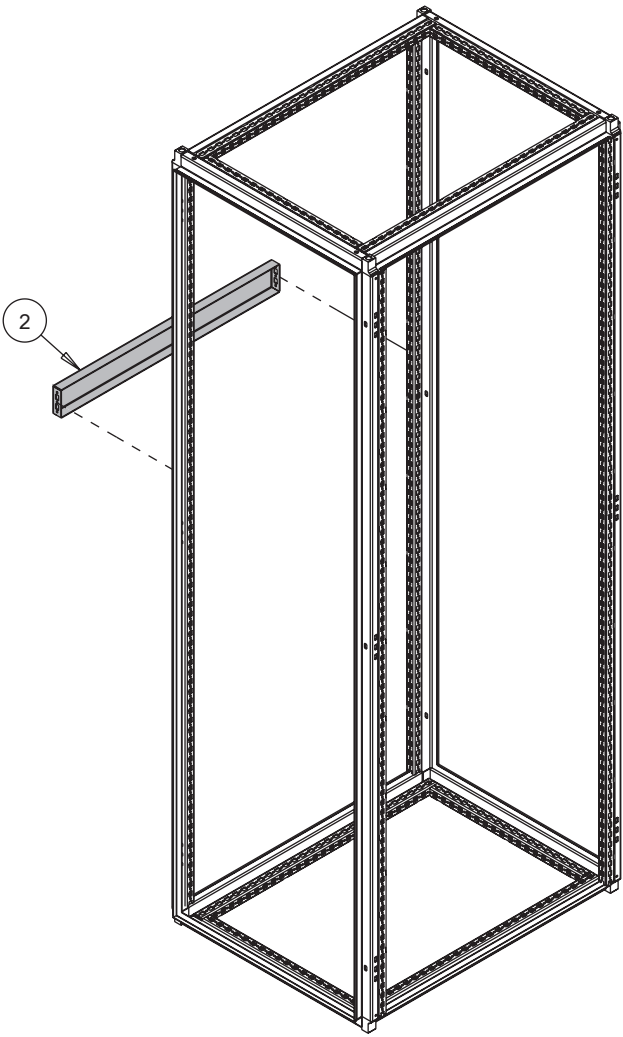
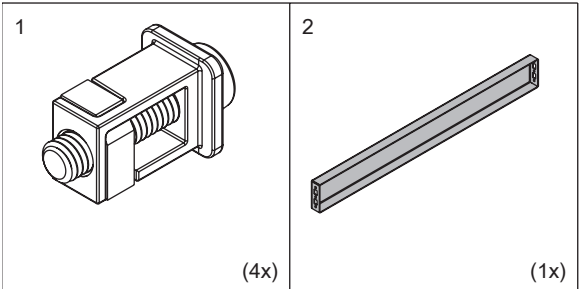




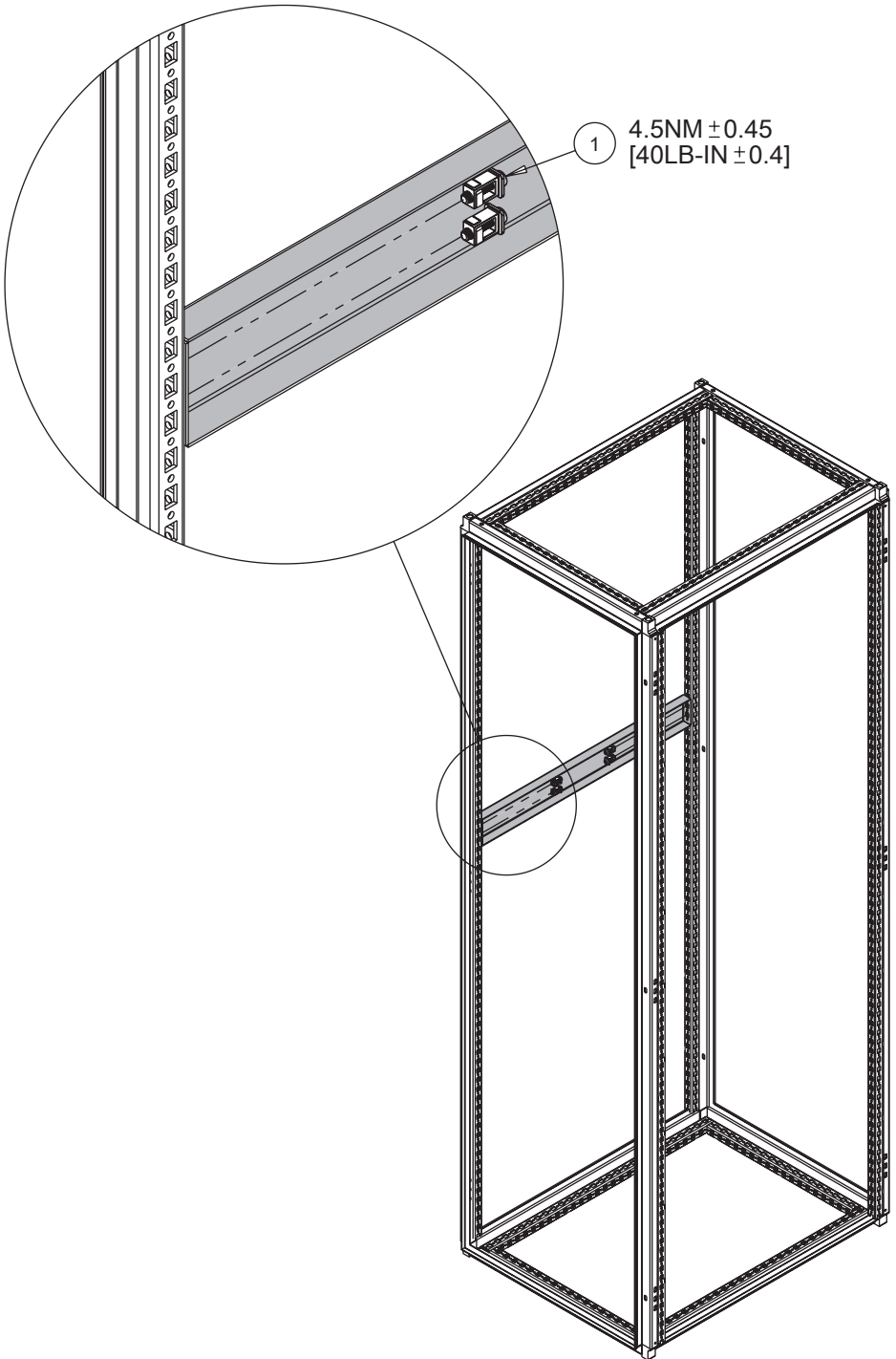
**HOFFMAN**

**PROLINE G2**



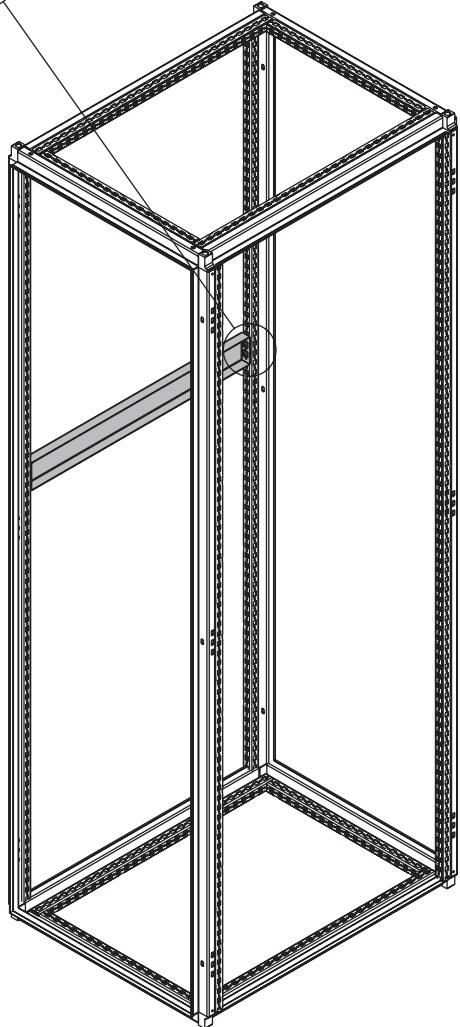
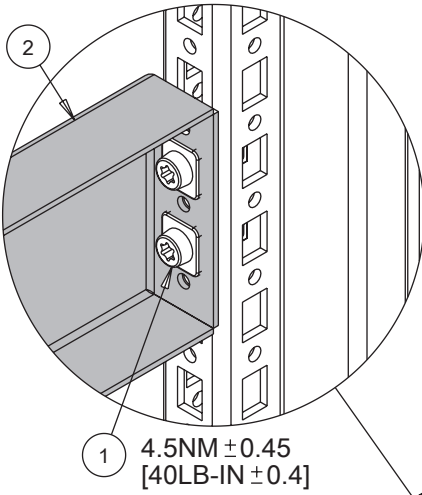


1



1 4.5NM ± 0.45  
[40LB-IN ± 0.4]

2



3