


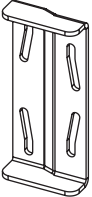
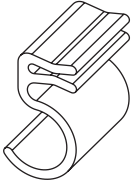
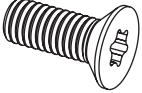
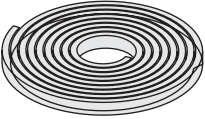





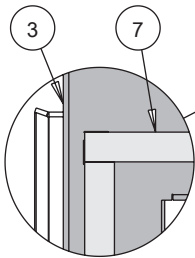
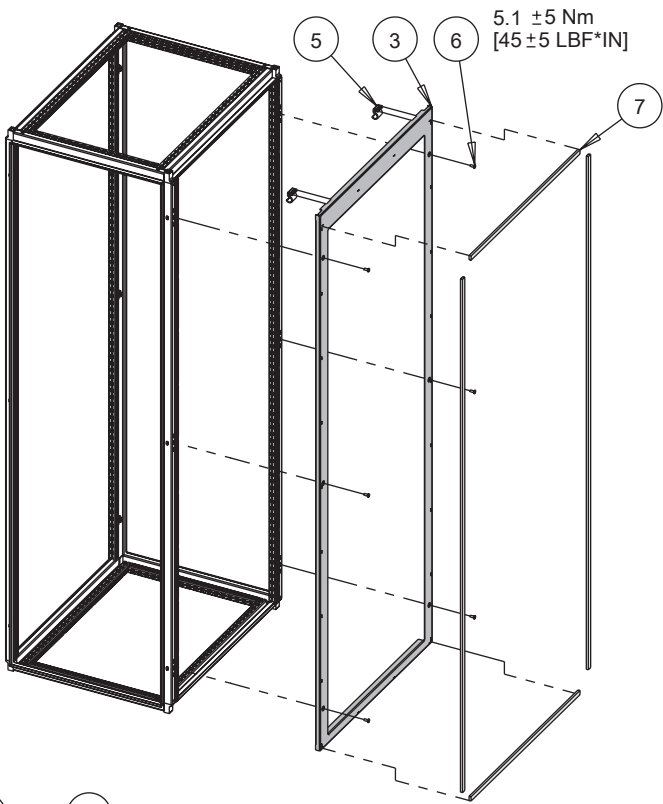
**HOFFMAN**

## PROLINE G2



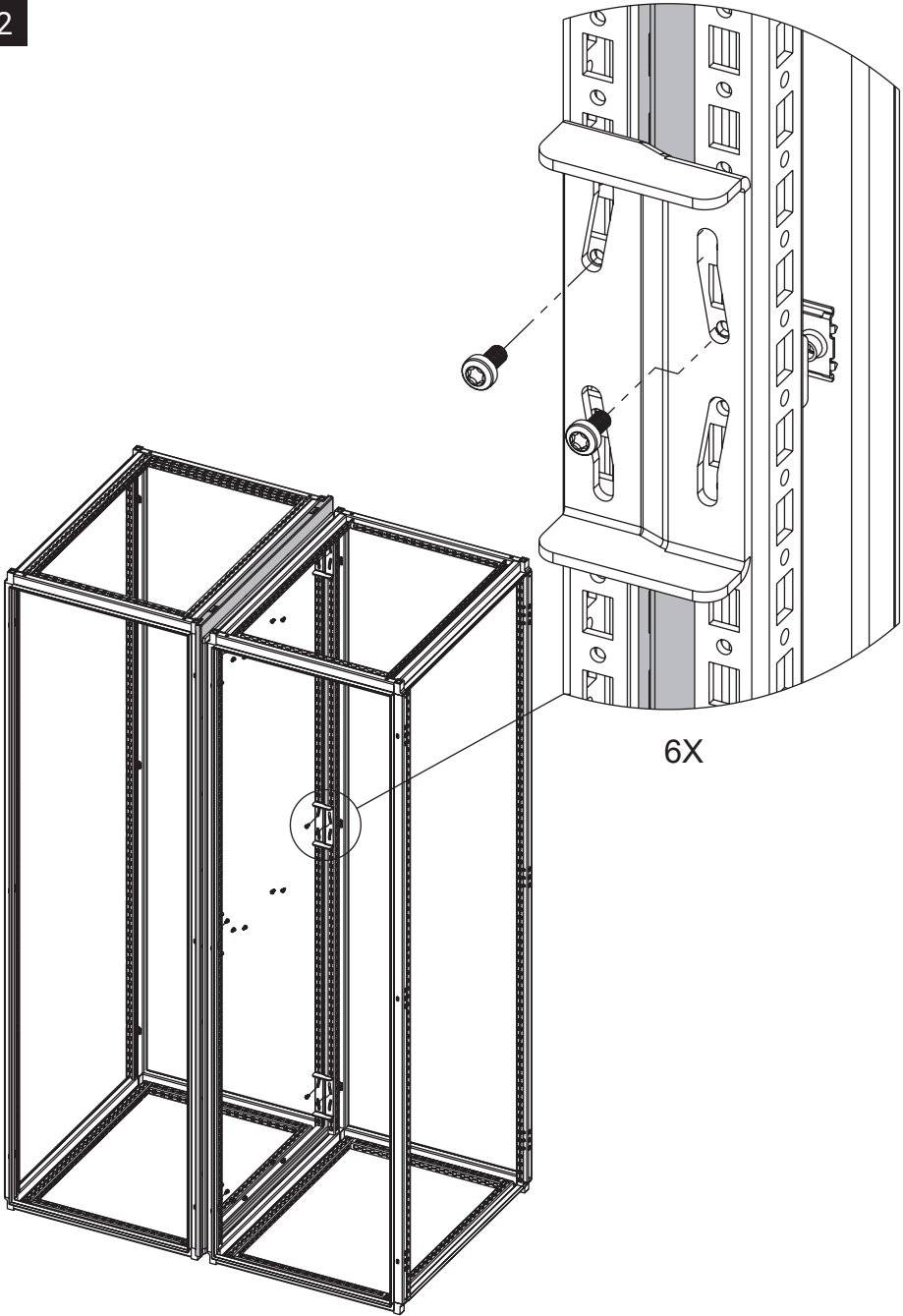
<p>1                      PFXXXX</p>  <p>(0x)</p>	<p>2                      P2FXXXX</p>  <p>(0x)</p>	<p>3</p>  <p>(1x)</p>
<p>4</p>  <p>(6x)</p>	<p>5</p>  <p>(2x)</p>	<p>6                      M6x16</p>  <p>(6x)</p>
<p>7</p>  <p>(3x)</p>	<p>8                      M5x10</p>  <p>(24x)</p>	

1



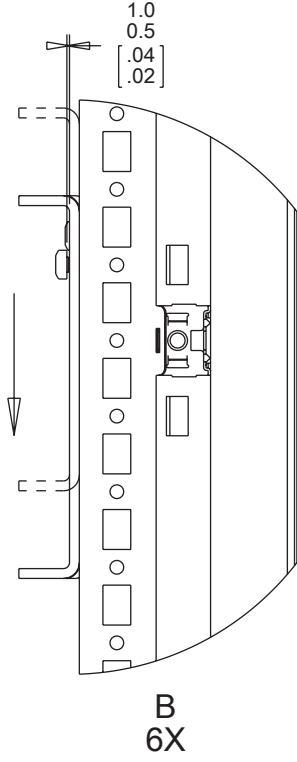
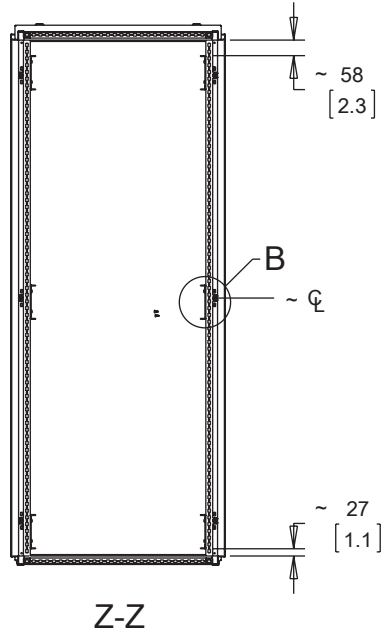
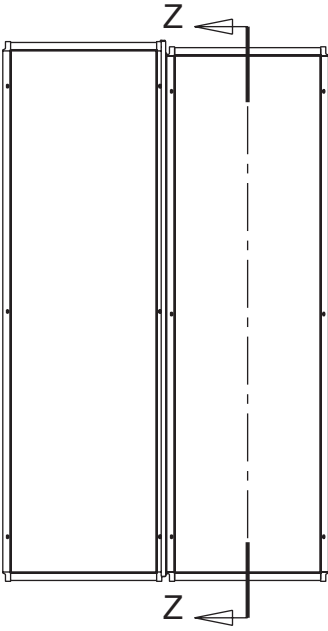
4X

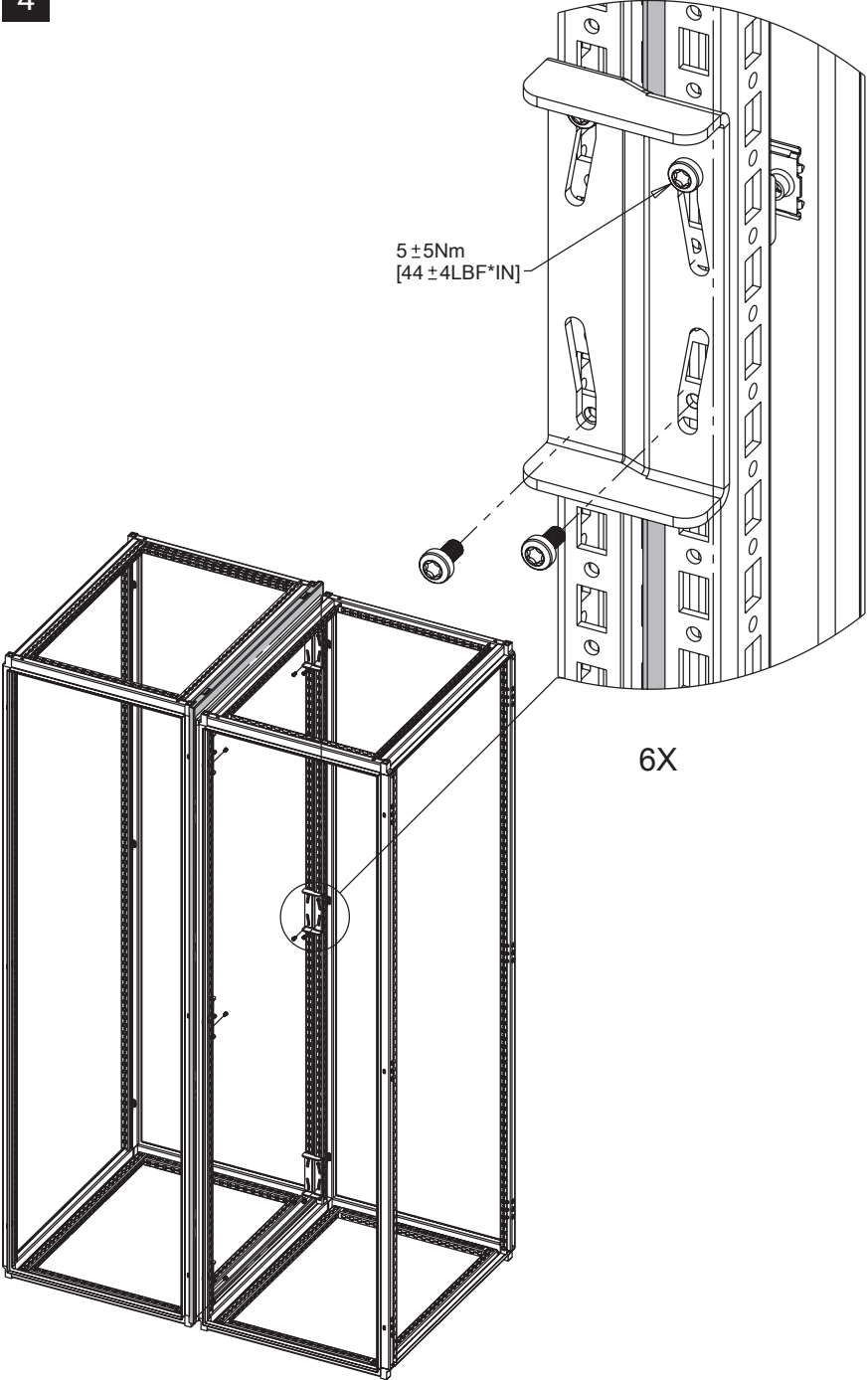




6X

3







**HOFFMAN**



**HOFFMAN**