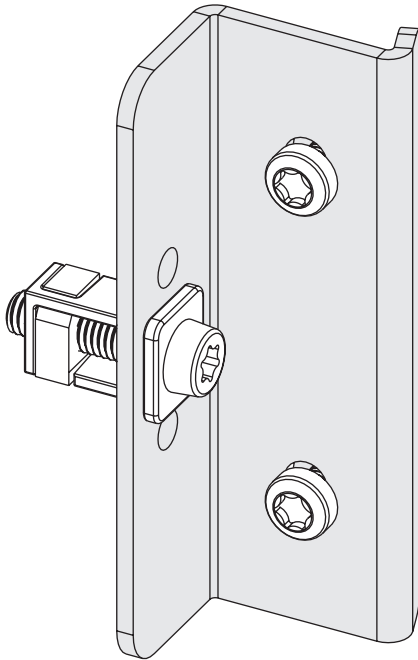


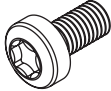
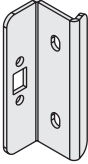
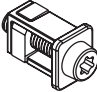



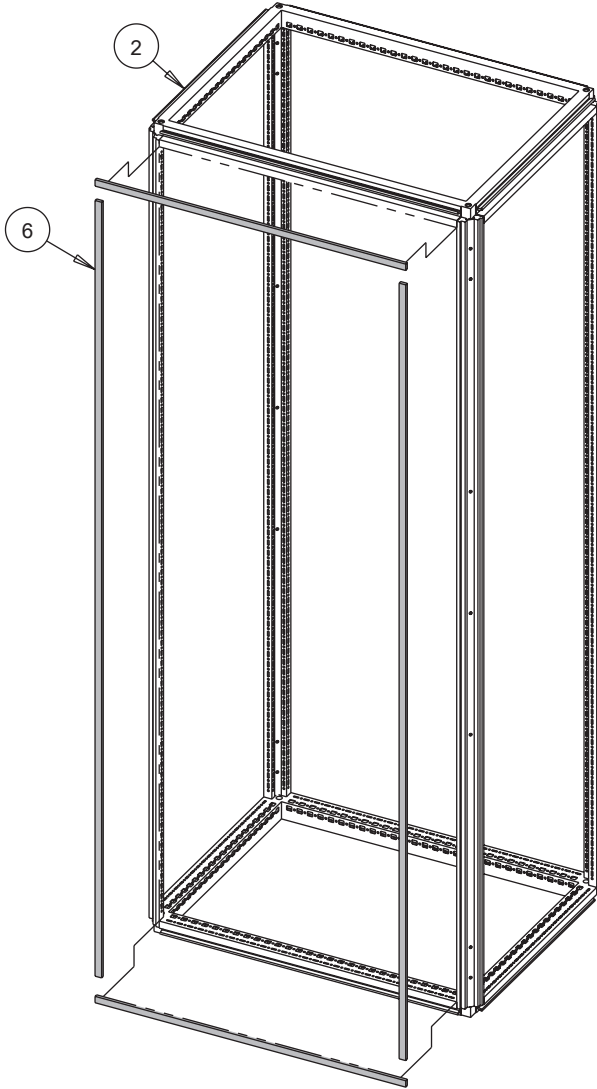


HOFFMAN

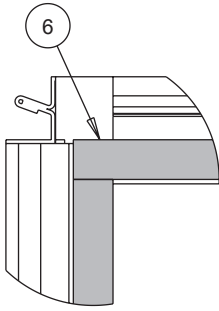
PROLINE G2



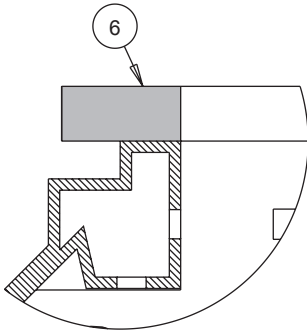
<p>1</p> <p>P2FXXXX</p>  <p>(0x)</p>	<p>2</p> <p>R-TS8</p>  <p>(0x)</p>	<p>3</p> <p>M5X10</p>  <p>(12x)</p>
<p>4</p>  <p>(6x)</p>	<p>5</p> <p>BV-M6</p>  <p>(6x)</p>	<p>6</p>  <p>(3x)</p>



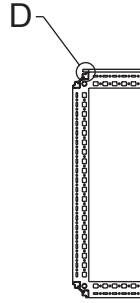
1



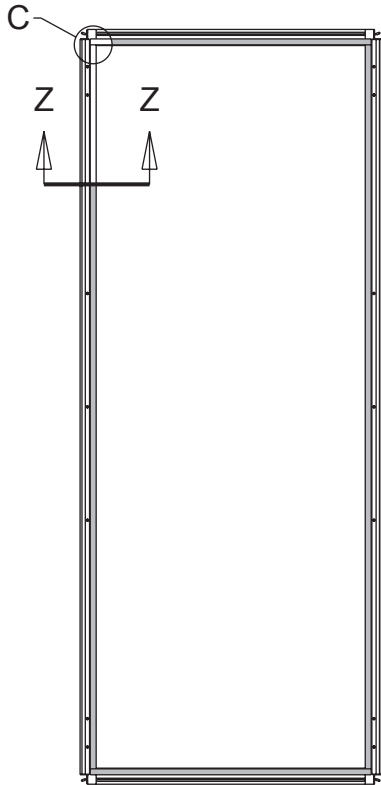
C
4X

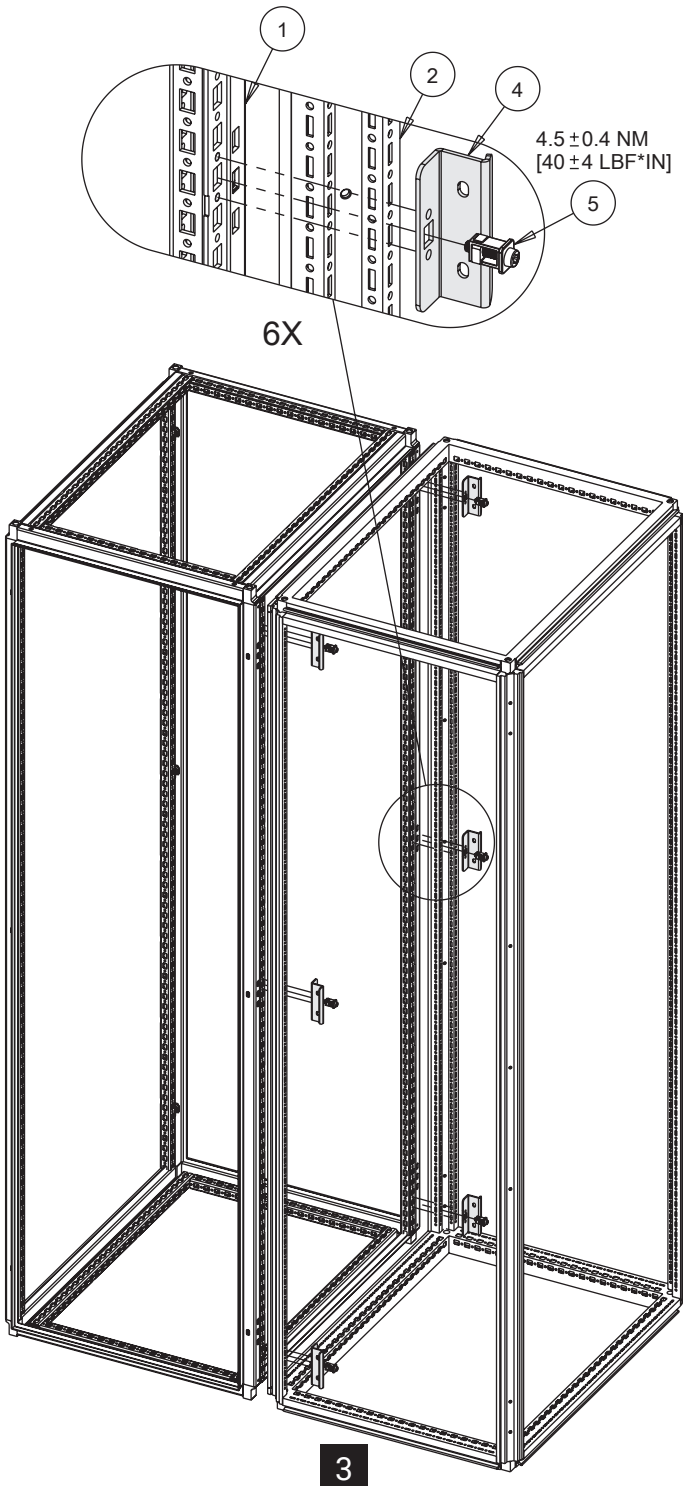


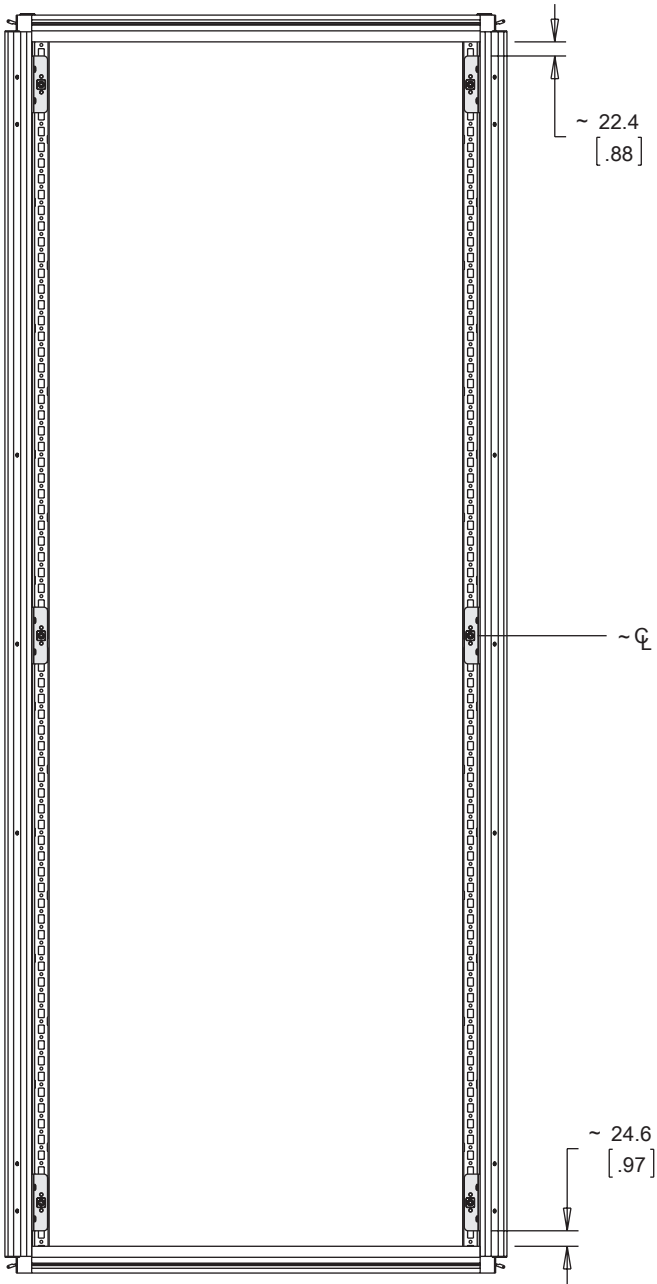
D
2X



Z-Z

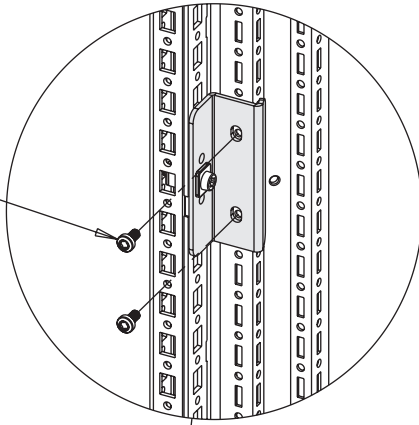




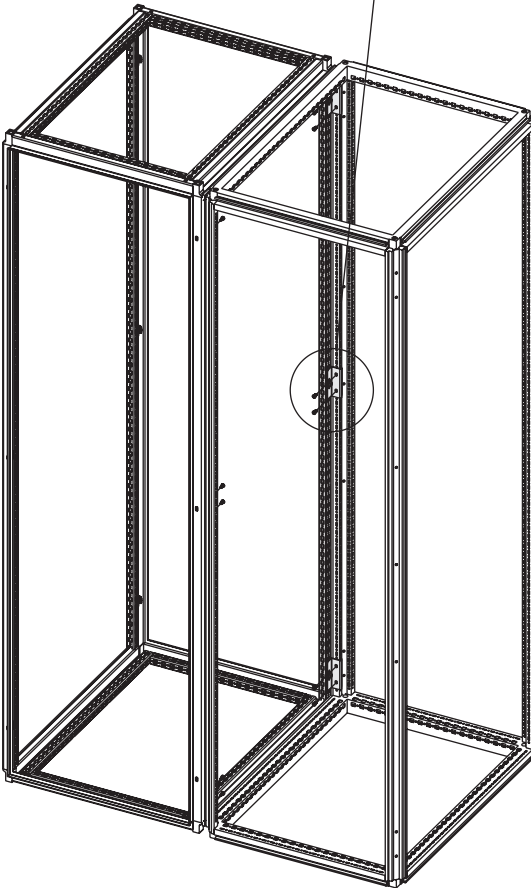


$5 \pm 0.5 \text{ NM}$
 $[44 \pm 4 \text{ LBF} \cdot \text{IN}]$

3



6X



5



HOFFMAN