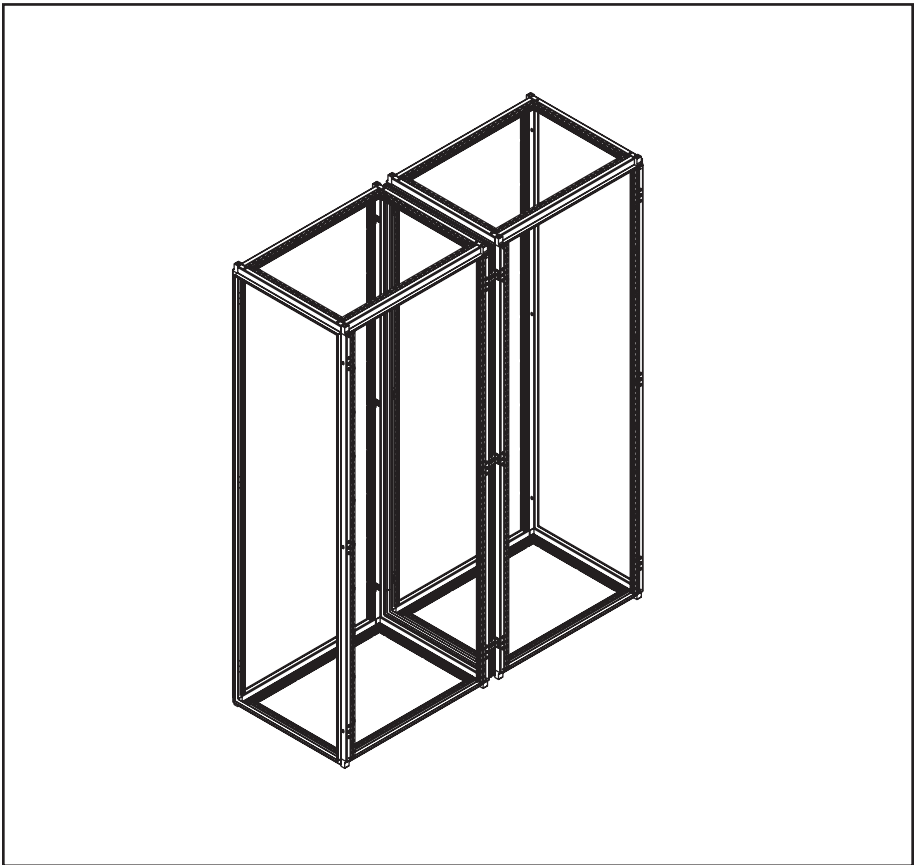
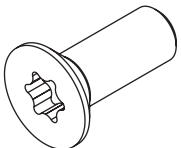
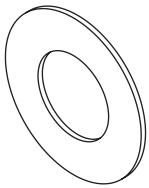
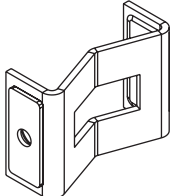
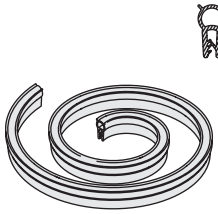
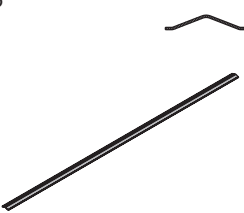
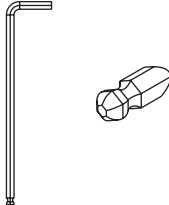


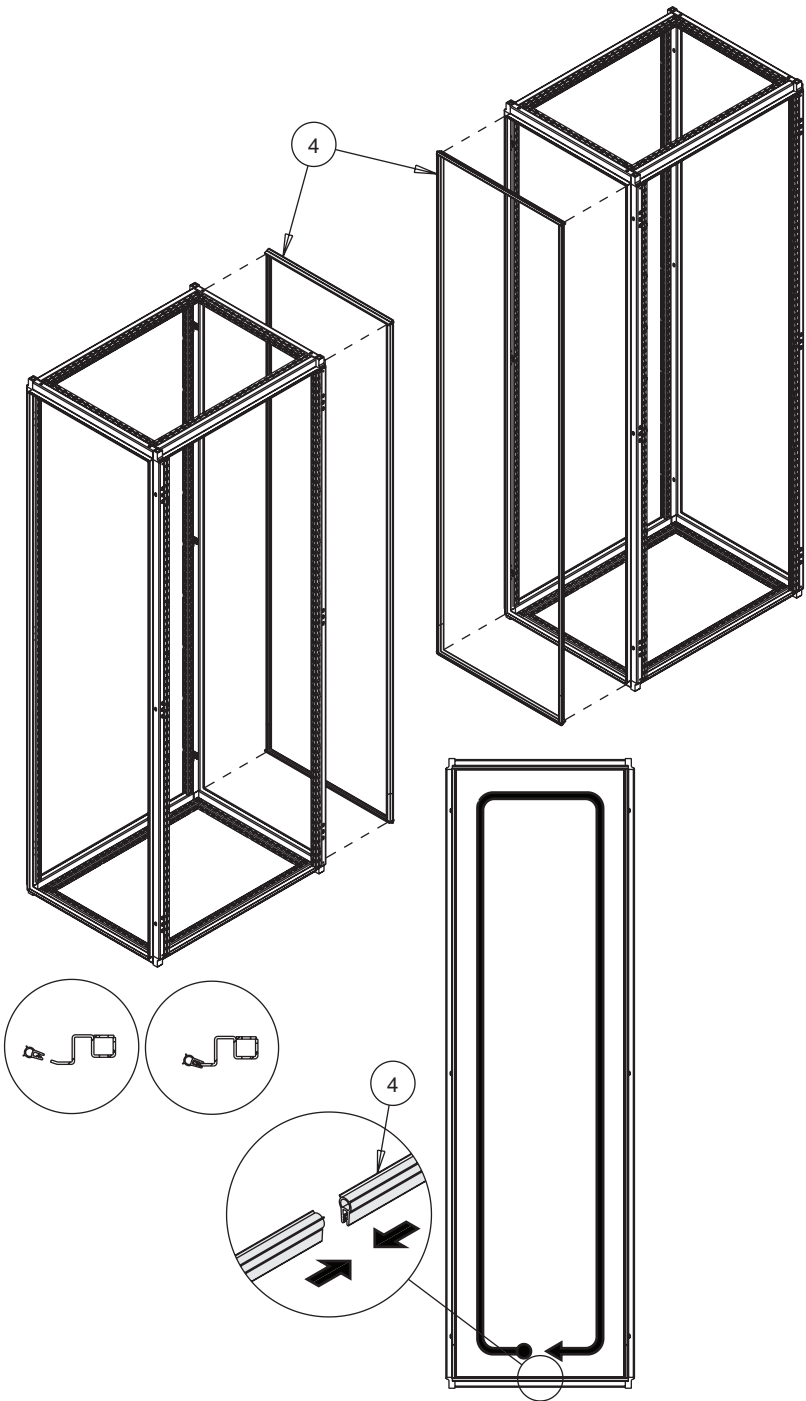


HOFFMAN

PROLINE G2

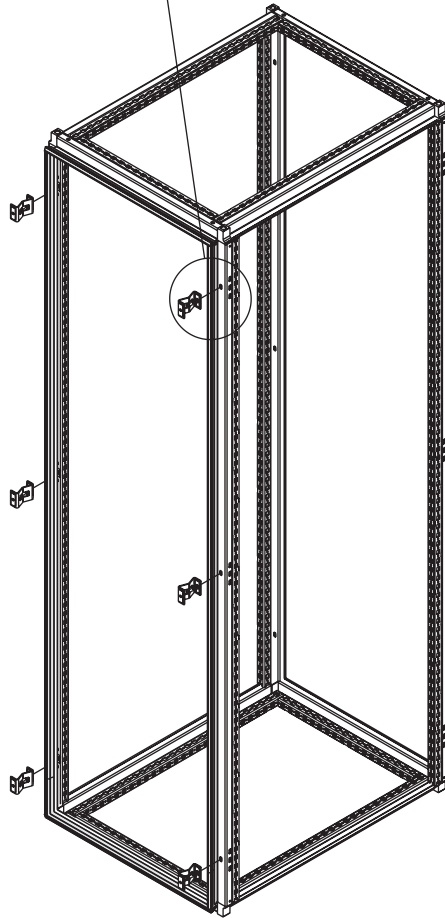
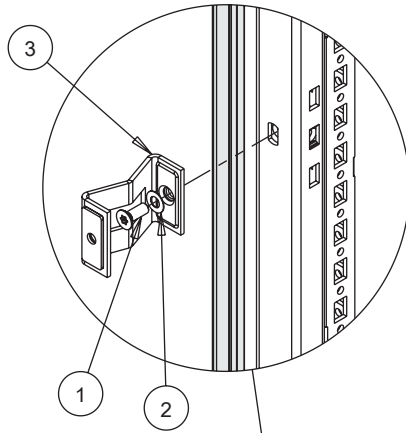


<p>1</p> <p>M6X16</p>  <p>(12x)</p>	<p>2</p>  <p>(12x)</p>	<p>3</p>  <p>(6x)</p>
<p>4</p>  <p>(1x)</p>	<p>5</p>  <p>(2x)</p>	<p>6</p> <p>4MM</p>  <p>(1x)</p>

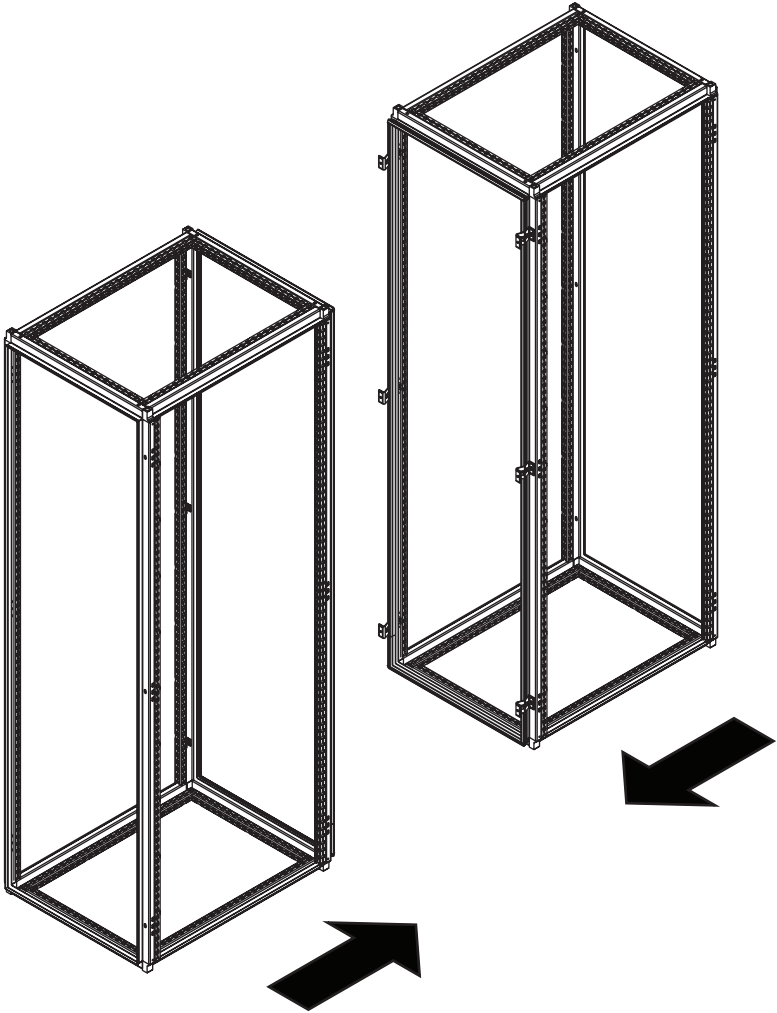


1

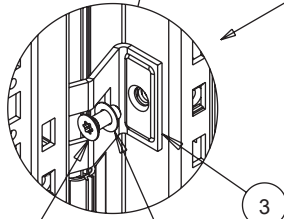
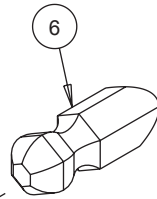
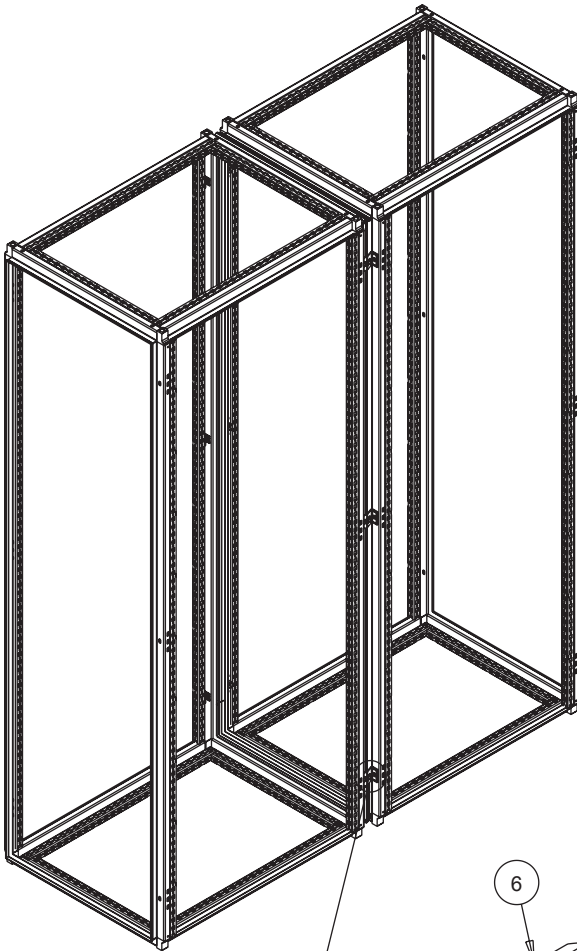
6.2 NM ± 0.6
[55 LB IN ± 5.5]



2

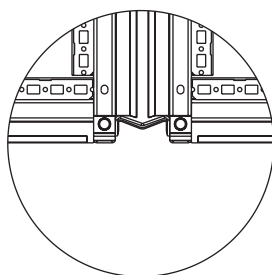
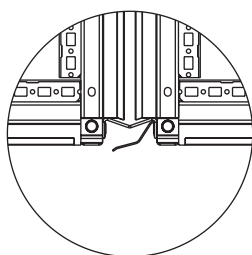
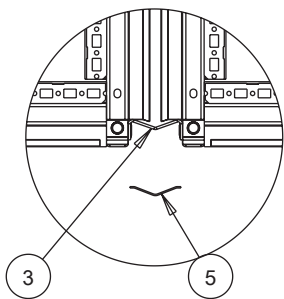
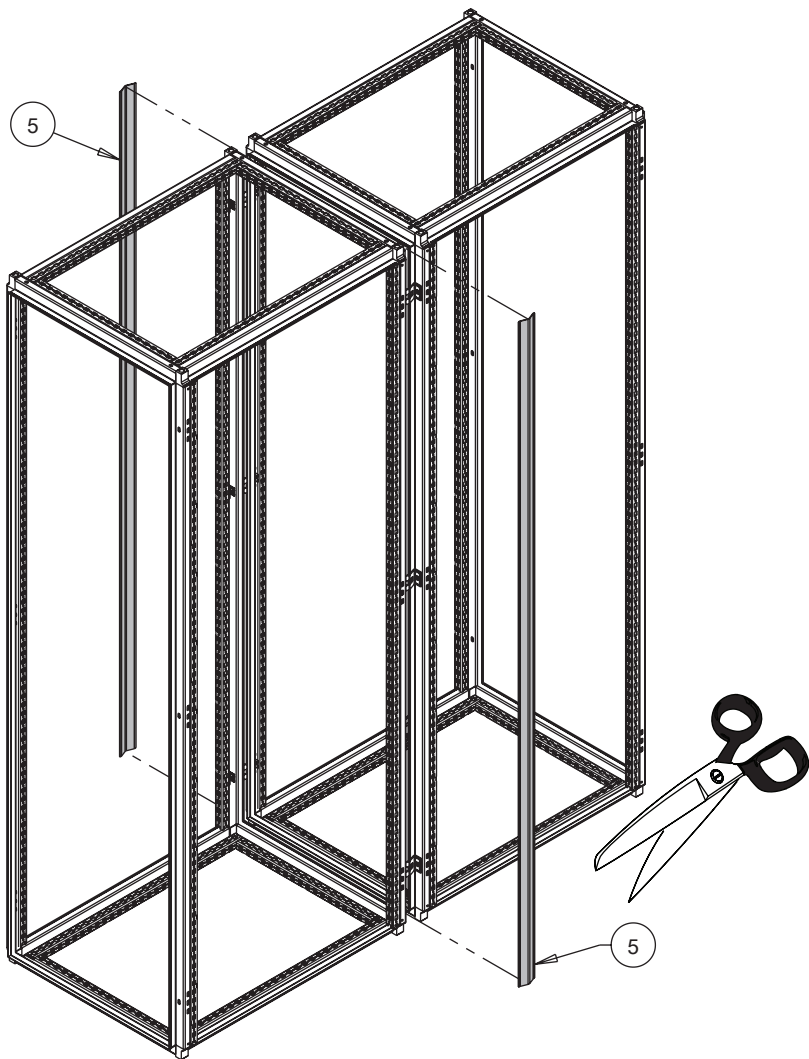


3



6.2 NM \pm 0.6
[55 LB IN \pm 5.5]

4



5

