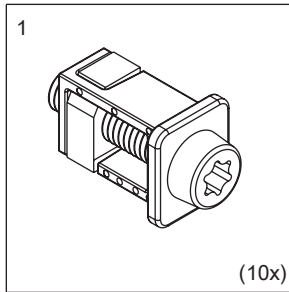
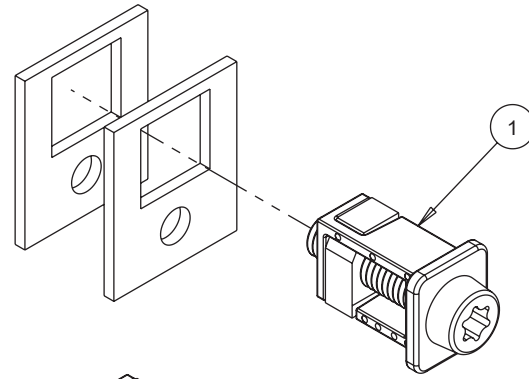


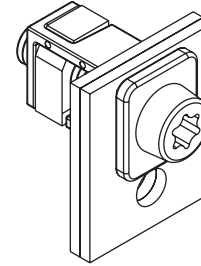
PROLINE G2



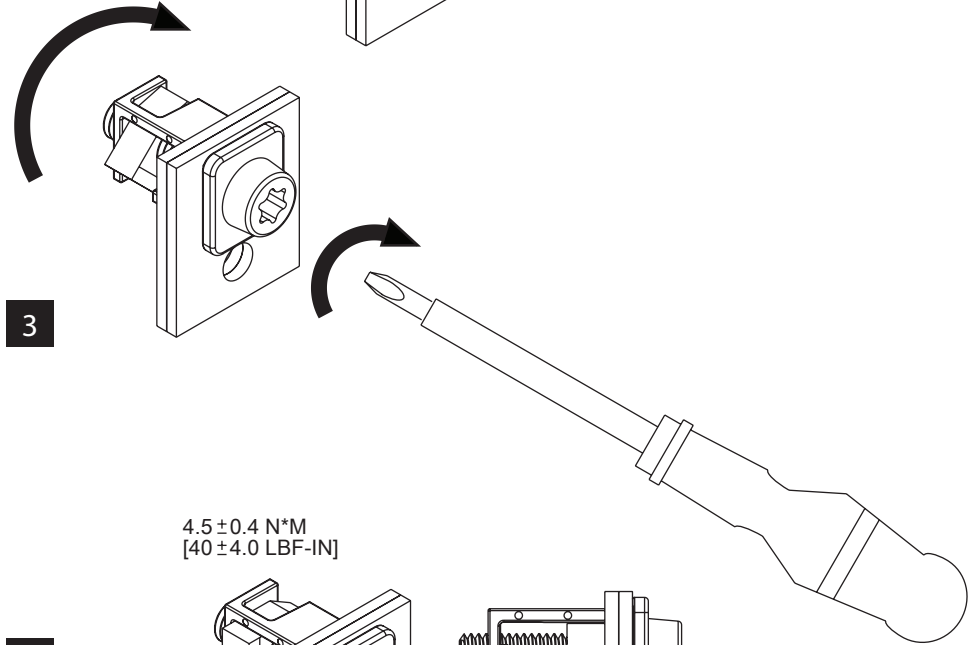
1



2



3



4

4.5 ± 0.4 N*M
[40 ± 4.0 LBF-IN]

