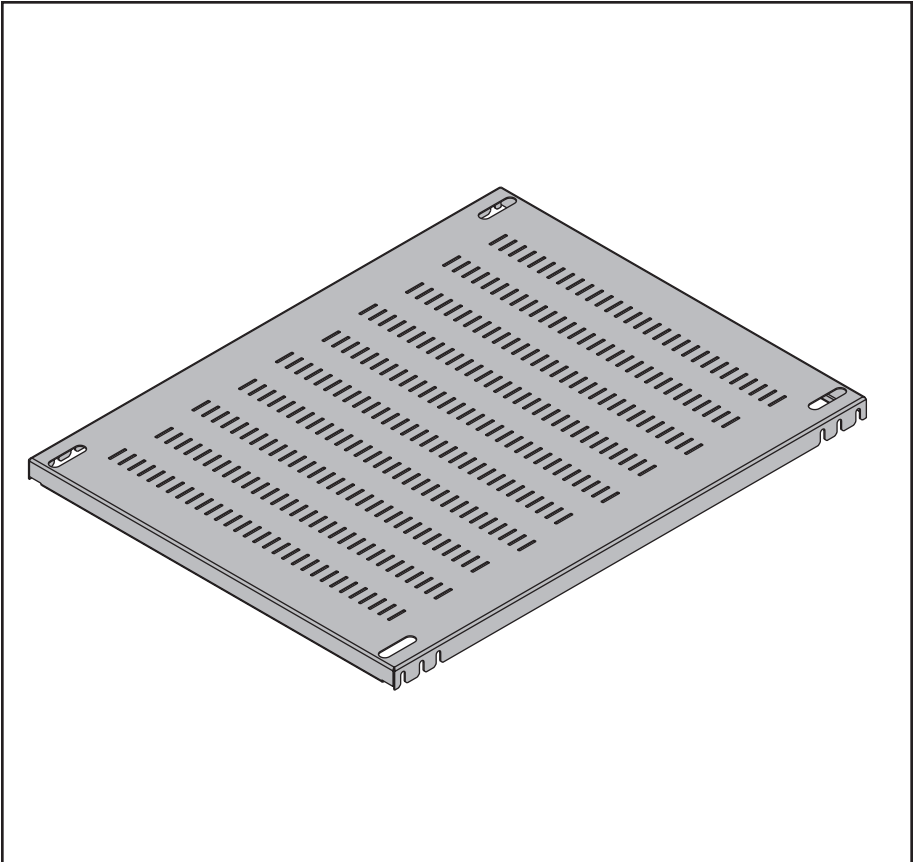
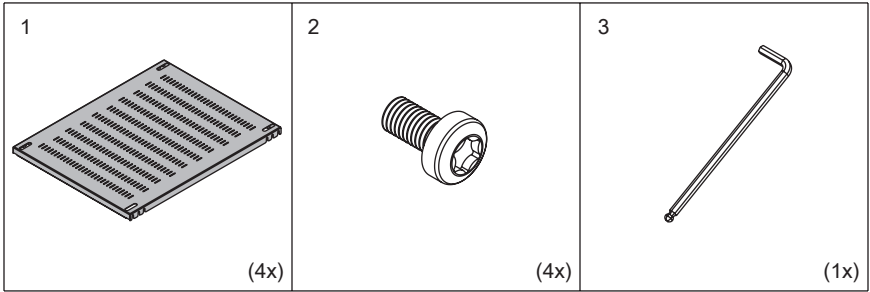


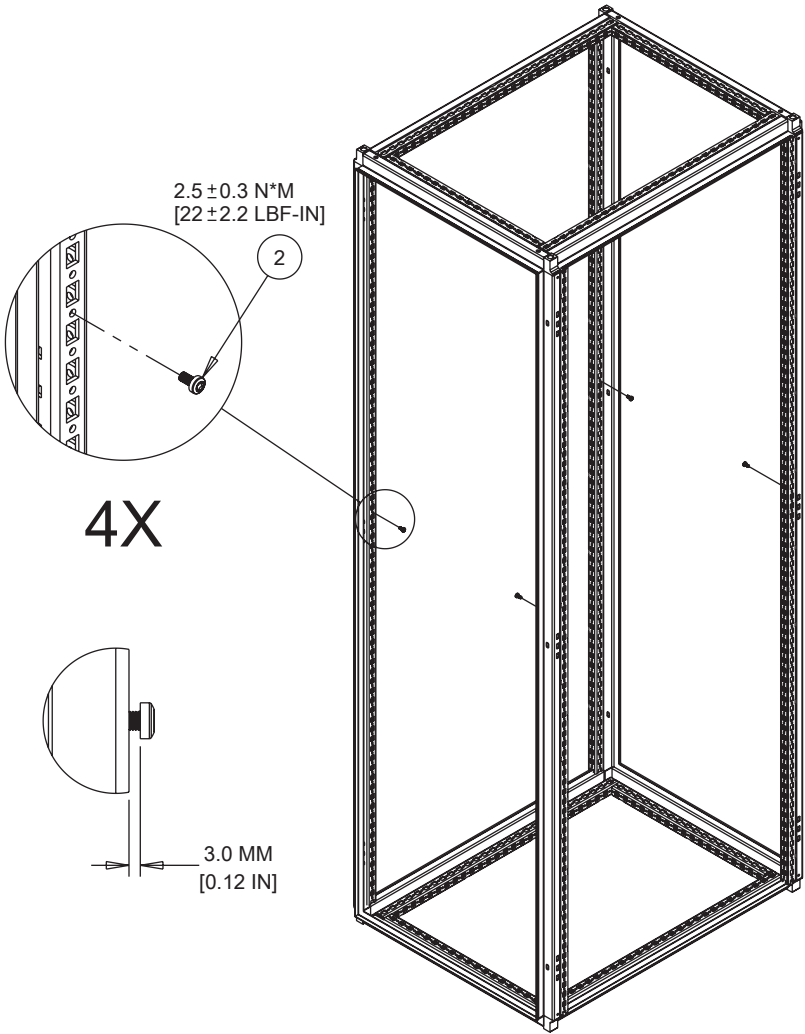


HOFFMAN

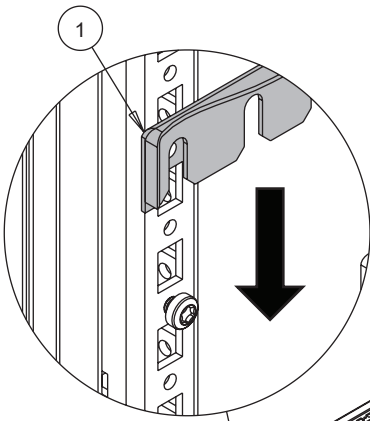
PROLINE G2



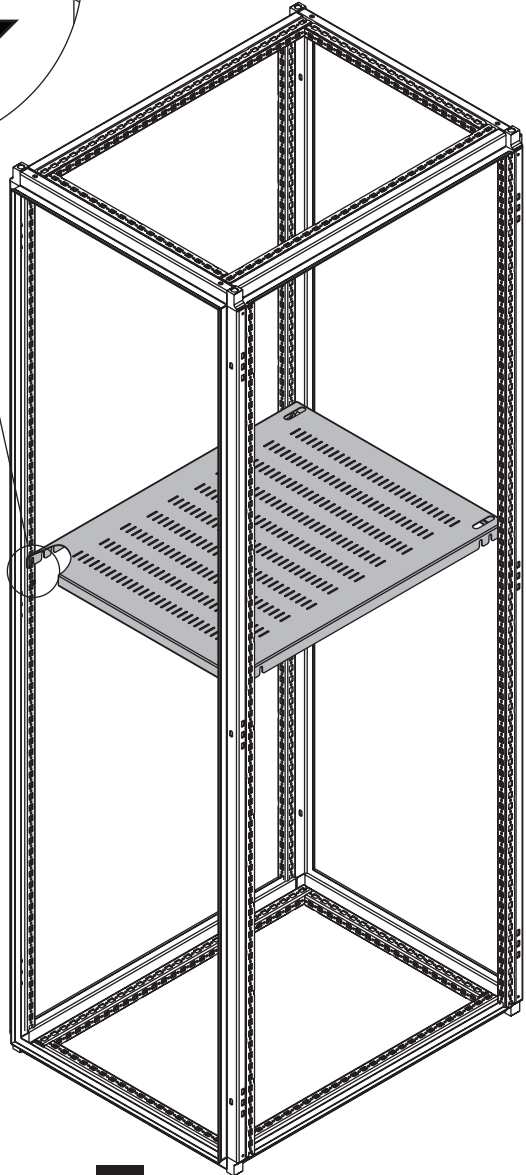




1

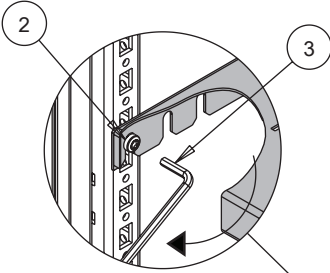


4X

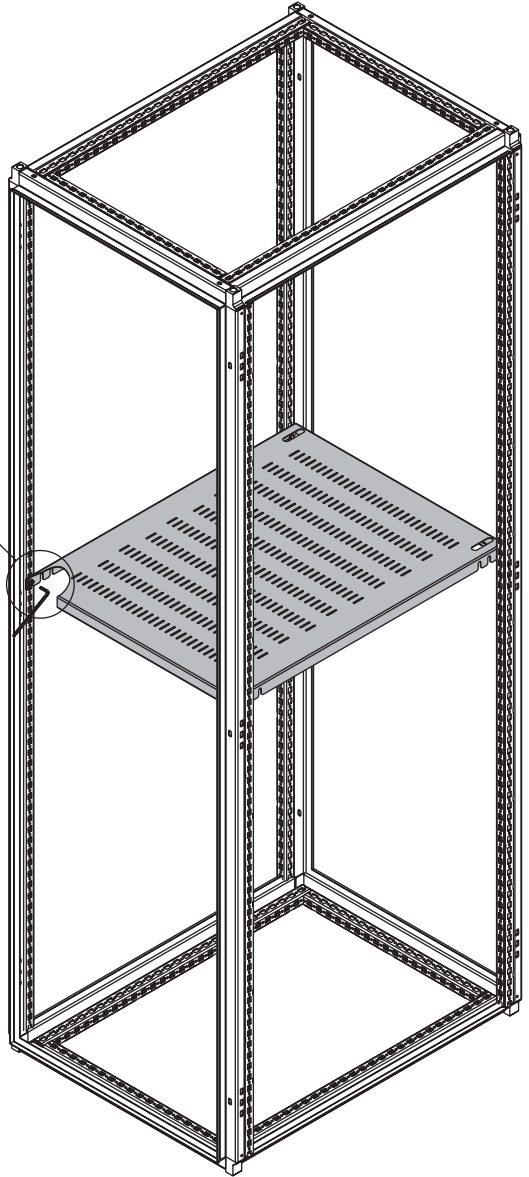


2

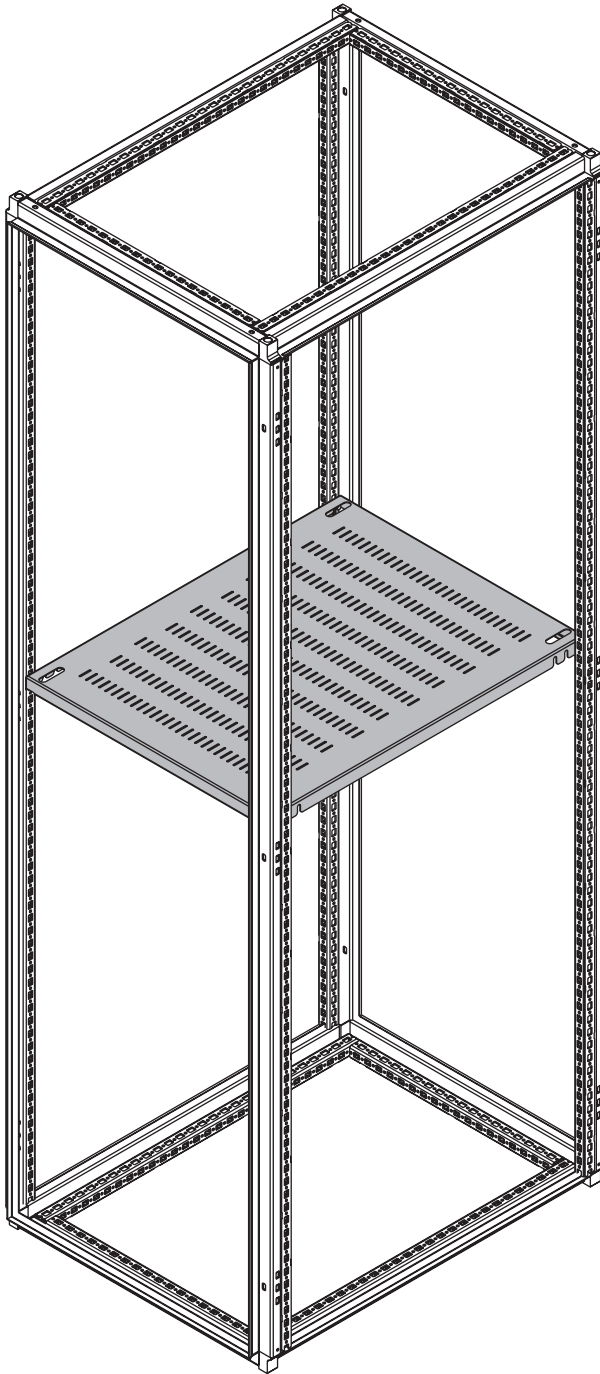
2.5 ± 0.3 N*M
[22 ± 2.2 LBF-IN]



4X



3





HOFFMAN



HOFFMAN