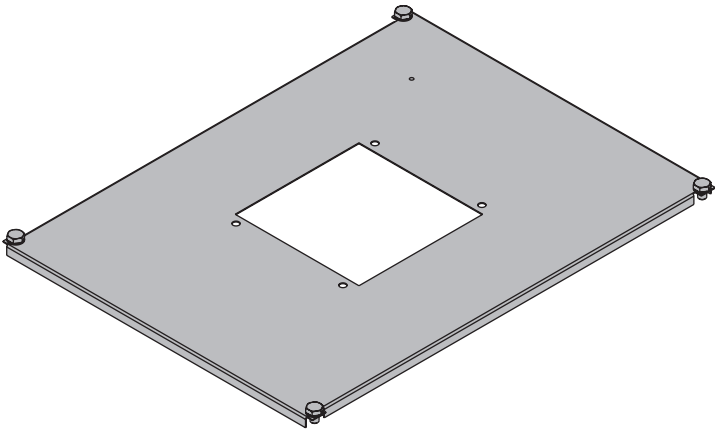
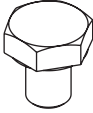

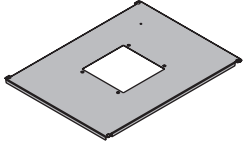




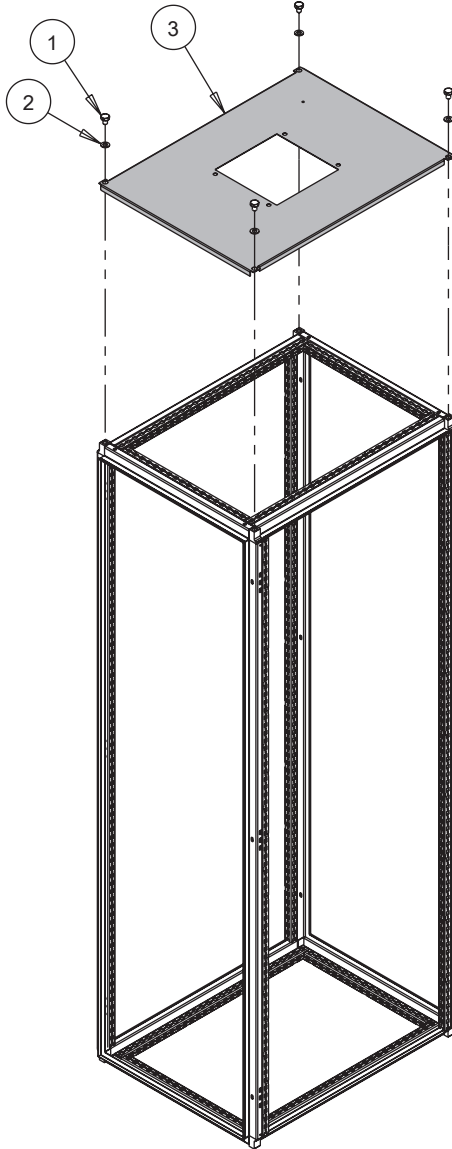
HOFFMAN

PROLINE G2

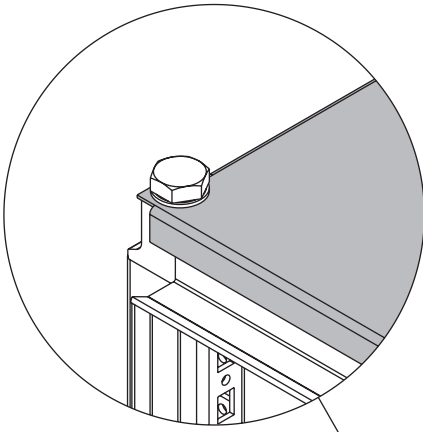


<p>1</p> <p>M12-1.75X12</p>  <p>(4x)</p>	<p>2</p> <p>M12</p>  <p>(4x)</p>	<p>3</p>  <p>(1x)</p>
---	---	--

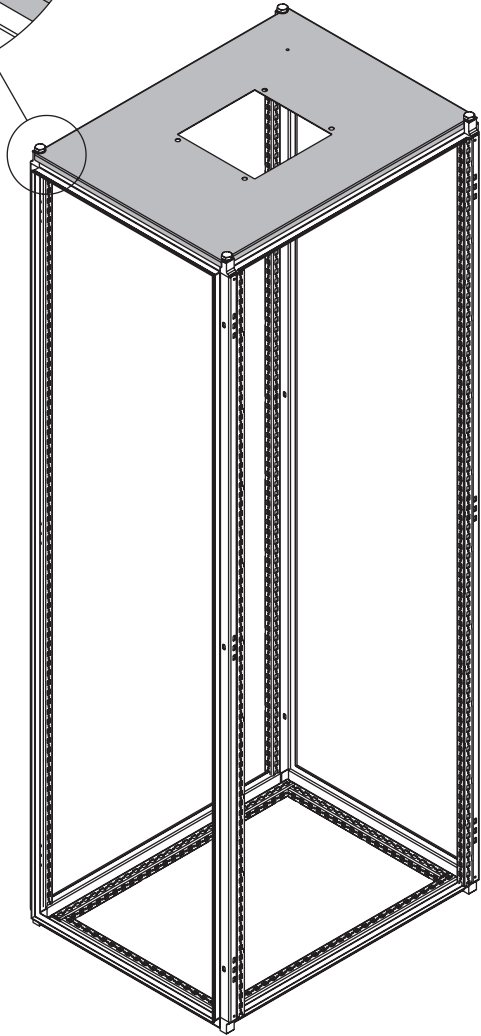
6.8 ± 0.7N*M
[60 ± 6.0 LBF*IN]



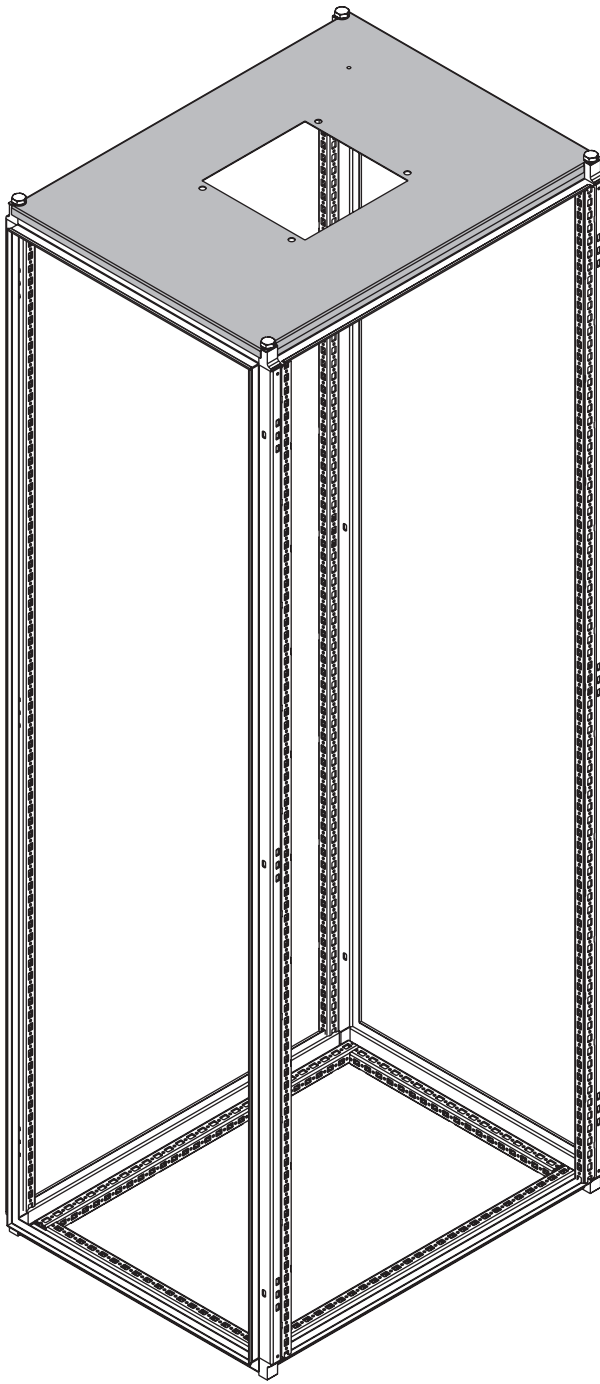
1



4X



2



3