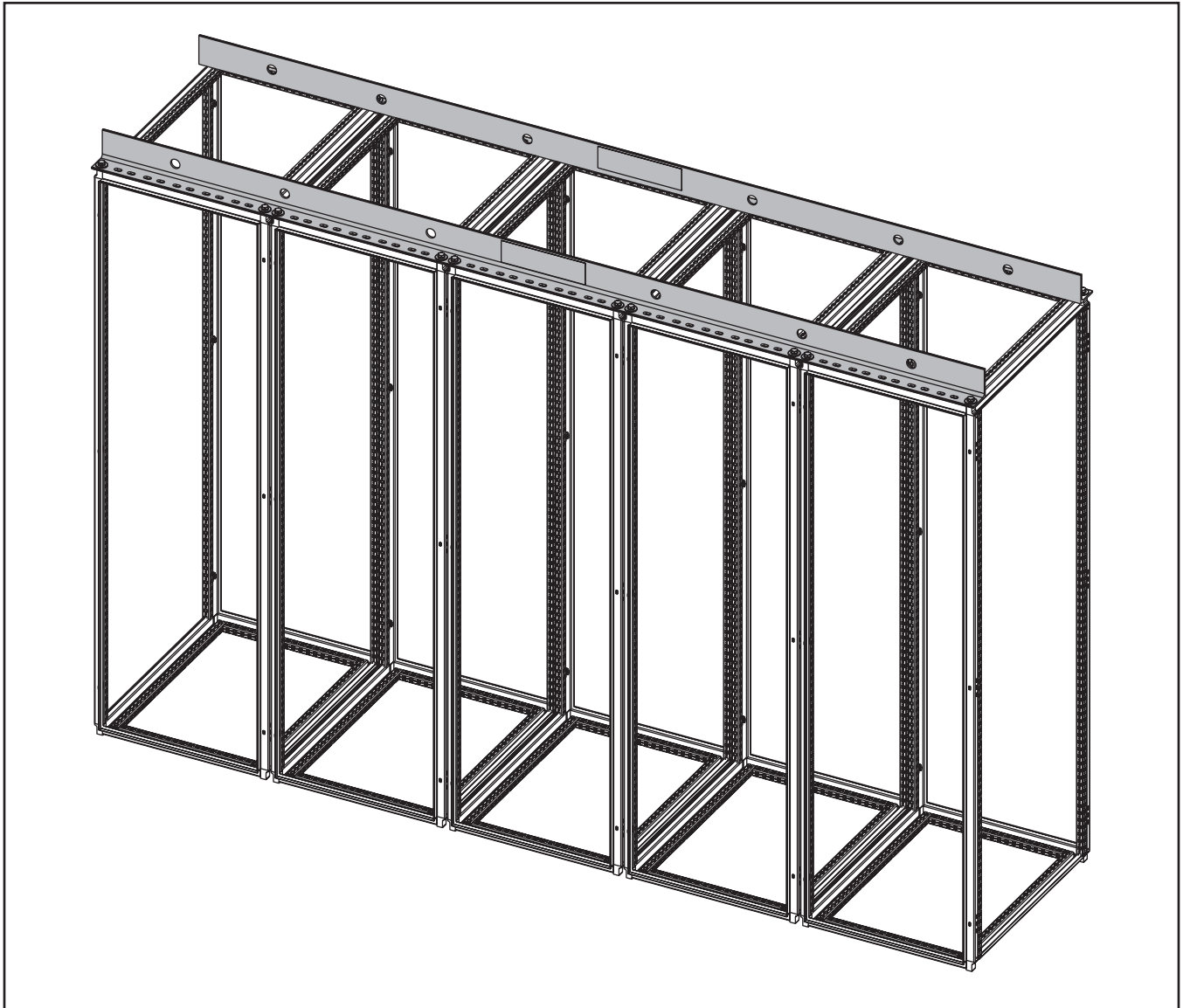
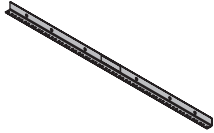

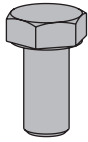
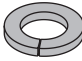
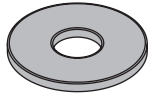


PROLINE G2



<p>1</p>  <p>(2x)</p>	<p>2 P2FXXXX</p>  <p>(0x)</p>																																																																			
<p>3 M12x25</p> 	<p>4 M12</p> 	<p>5 M12</p> 																																																																		
<table border="1"> <thead> <tr> <th>"B" MM</th> <th>QTY.</th> </tr> </thead> <tbody> <tr><td>1200</td><td>12x</td></tr> <tr><td>1400</td><td>12x</td></tr> <tr><td>1600</td><td>16x</td></tr> <tr><td>1800</td><td>16x</td></tr> <tr><td>2000</td><td>20x</td></tr> <tr><td>2200</td><td>20x</td></tr> <tr><td>2400</td><td>24x</td></tr> <tr><td>2600</td><td>24x</td></tr> <tr><td>2800</td><td>28x</td></tr> <tr><td>3000</td><td>28x</td></tr> </tbody> </table>	"B" MM	QTY.	1200	12x	1400	12x	1600	16x	1800	16x	2000	20x	2200	20x	2400	24x	2600	24x	2800	28x	3000	28x	<table border="1"> <thead> <tr> <th>"B" MM</th> <th>QTY.</th> </tr> </thead> <tbody> <tr><td>1200</td><td>12x</td></tr> <tr><td>1400</td><td>12x</td></tr> <tr><td>1600</td><td>16x</td></tr> <tr><td>1800</td><td>16x</td></tr> <tr><td>2000</td><td>20x</td></tr> <tr><td>2200</td><td>20x</td></tr> <tr><td>2400</td><td>24x</td></tr> <tr><td>2600</td><td>24x</td></tr> <tr><td>2800</td><td>28x</td></tr> <tr><td>3000</td><td>28x</td></tr> </tbody> </table>	"B" MM	QTY.	1200	12x	1400	12x	1600	16x	1800	16x	2000	20x	2200	20x	2400	24x	2600	24x	2800	28x	3000	28x	<table border="1"> <thead> <tr> <th>"B" MM</th> <th>QTY.</th> </tr> </thead> <tbody> <tr><td>1200</td><td>12x</td></tr> <tr><td>1400</td><td>12x</td></tr> <tr><td>1600</td><td>16x</td></tr> <tr><td>1800</td><td>16x</td></tr> <tr><td>2000</td><td>20x</td></tr> <tr><td>2200</td><td>20x</td></tr> <tr><td>2400</td><td>24x</td></tr> <tr><td>2600</td><td>24x</td></tr> <tr><td>2800</td><td>28x</td></tr> <tr><td>3000</td><td>28x</td></tr> </tbody> </table>	"B" MM	QTY.	1200	12x	1400	12x	1600	16x	1800	16x	2000	20x	2200	20x	2400	24x	2600	24x	2800	28x	3000	28x
"B" MM	QTY.																																																																			
1200	12x																																																																			
1400	12x																																																																			
1600	16x																																																																			
1800	16x																																																																			
2000	20x																																																																			
2200	20x																																																																			
2400	24x																																																																			
2600	24x																																																																			
2800	28x																																																																			
3000	28x																																																																			
"B" MM	QTY.																																																																			
1200	12x																																																																			
1400	12x																																																																			
1600	16x																																																																			
1800	16x																																																																			
2000	20x																																																																			
2200	20x																																																																			
2400	24x																																																																			
2600	24x																																																																			
2800	28x																																																																			
3000	28x																																																																			
"B" MM	QTY.																																																																			
1200	12x																																																																			
1400	12x																																																																			
1600	16x																																																																			
1800	16x																																																																			
2000	20x																																																																			
2200	20x																																																																			
2400	24x																																																																			
2600	24x																																																																			
2800	28x																																																																			
3000	28x																																																																			

⚠ WARNING	
	<p>Twisting or tipping cabinet set can cause serious injury or death, and product damage.</p> <p>Minimize tipping by using recommended lifting bars that provide lifting points equidistance from ends of enclosure set.</p>

⚠ CAUTION
<p>Insecurely joined cabinets can come apart during lifting and can fall, causing bodily injury and product damage.</p> <p>Ensure joining kit P2AJ or P2AJHF is properly installed between each enclosure to avoid product damage and bodily injury.</p>

⚠ WARNING	
	<p>Falling lifting bars can cause serious injury or death.</p> <p>When not in use, lay lifting bars flat.</p>

NOTICE
<p>If warning labels become illegible or damaged, replace them with new labels.</p> <p>To apply new labels, completely remove the old label and clean the surface of all adhesive. Apply the new labels to a clean, dry surface.</p> <p>To receive additional WARNING labels, call 1-800-355-3560.</p>

⚠ WARNING	
	<p>Loose fasteners can cause cabinet(s) to fall and cause serious injury or death and product damage.</p> <p>Torque fasteners to 30 FT-LBS.</p> <p>Use screws and washers in kits to attach lifting bars at each required lifting position of the cabinet(s) top to help avoid serious bodily injury or death due to loose fasteners.</p>

3 $41 \pm 1\text{NM}$
[$30 \pm 3 \text{ LBF} \cdot \text{FT}$]

4

5

SEE NOTICE

1

2

