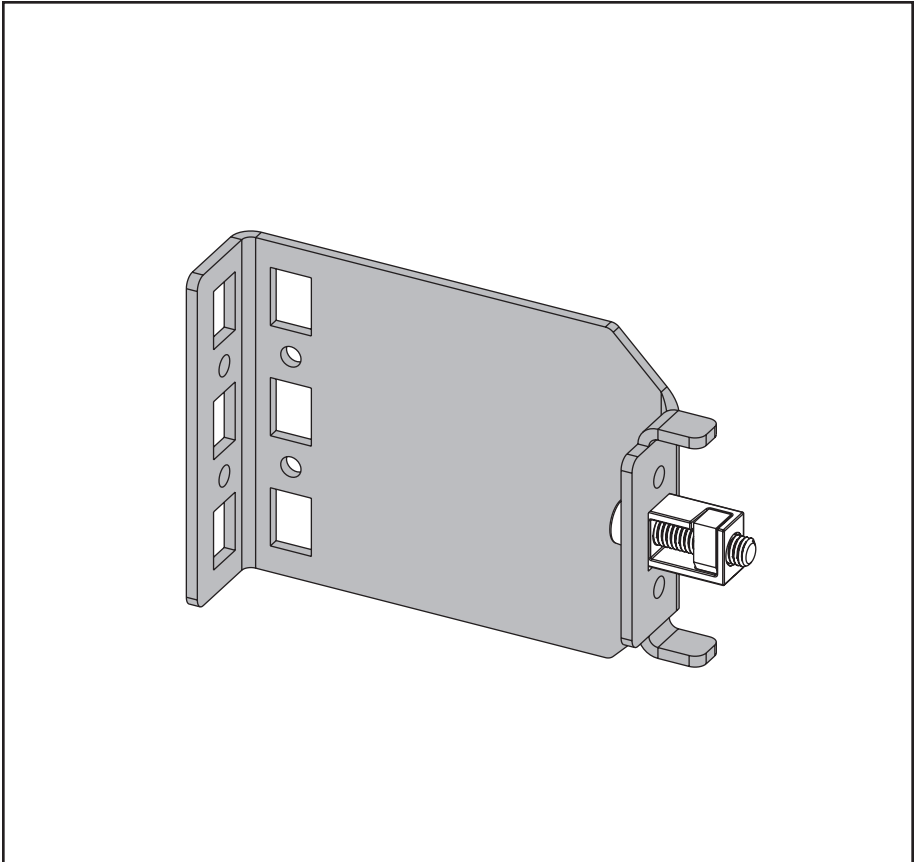
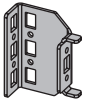
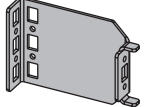
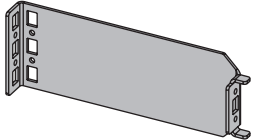


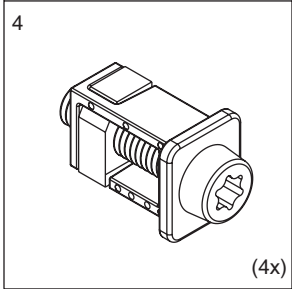


HOFFMAN

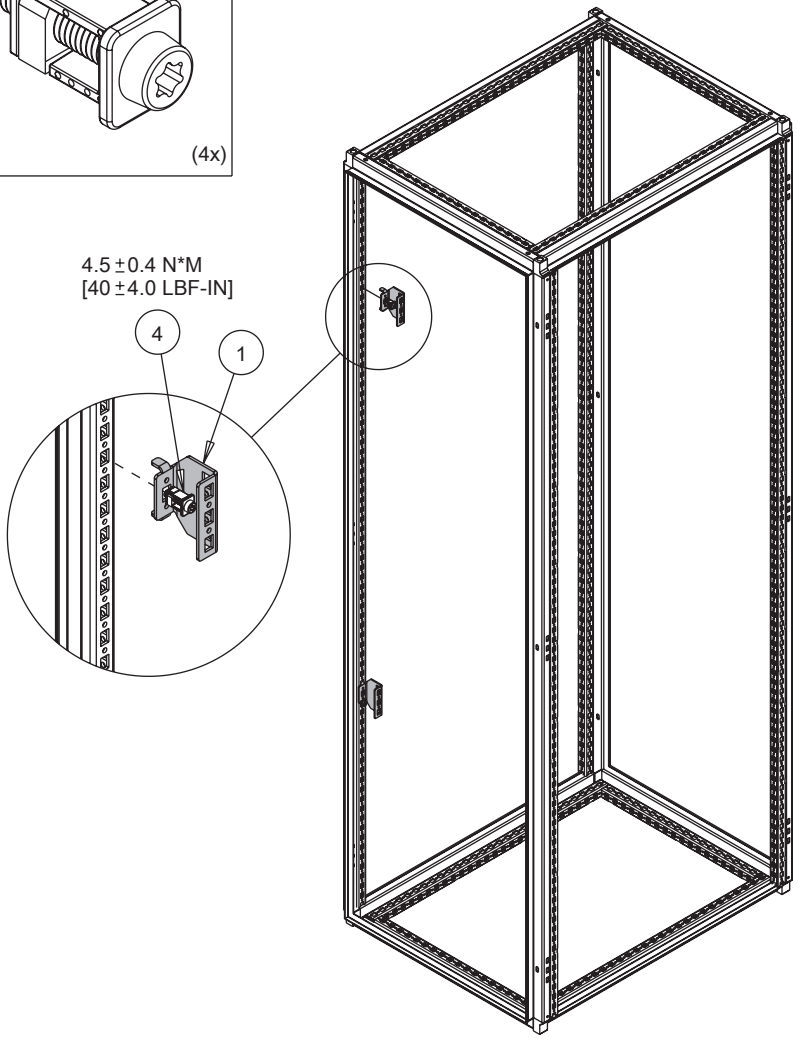
PROLINE G2



<p>1</p>  <p>P2AFRB50 (4x) P2AFRB100 (0x) P2AFRB200 (0x)</p>	<p>2</p>  <p>P2AFRB50 (0x) P2AFRB100 (4x) P2AFRB200 (0x)</p>	<p>3</p>  <p>P2AFRB50 (0x) P2AFRB100 (0x) P2AFRB200 (4x)</p>
---	---	---

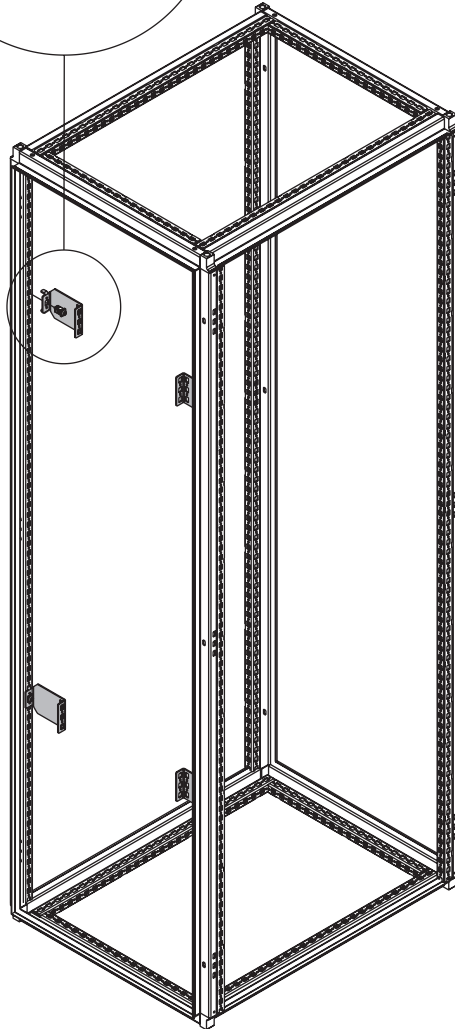
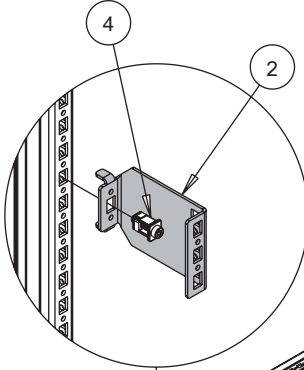


P2AFRB50



P2AFRB100

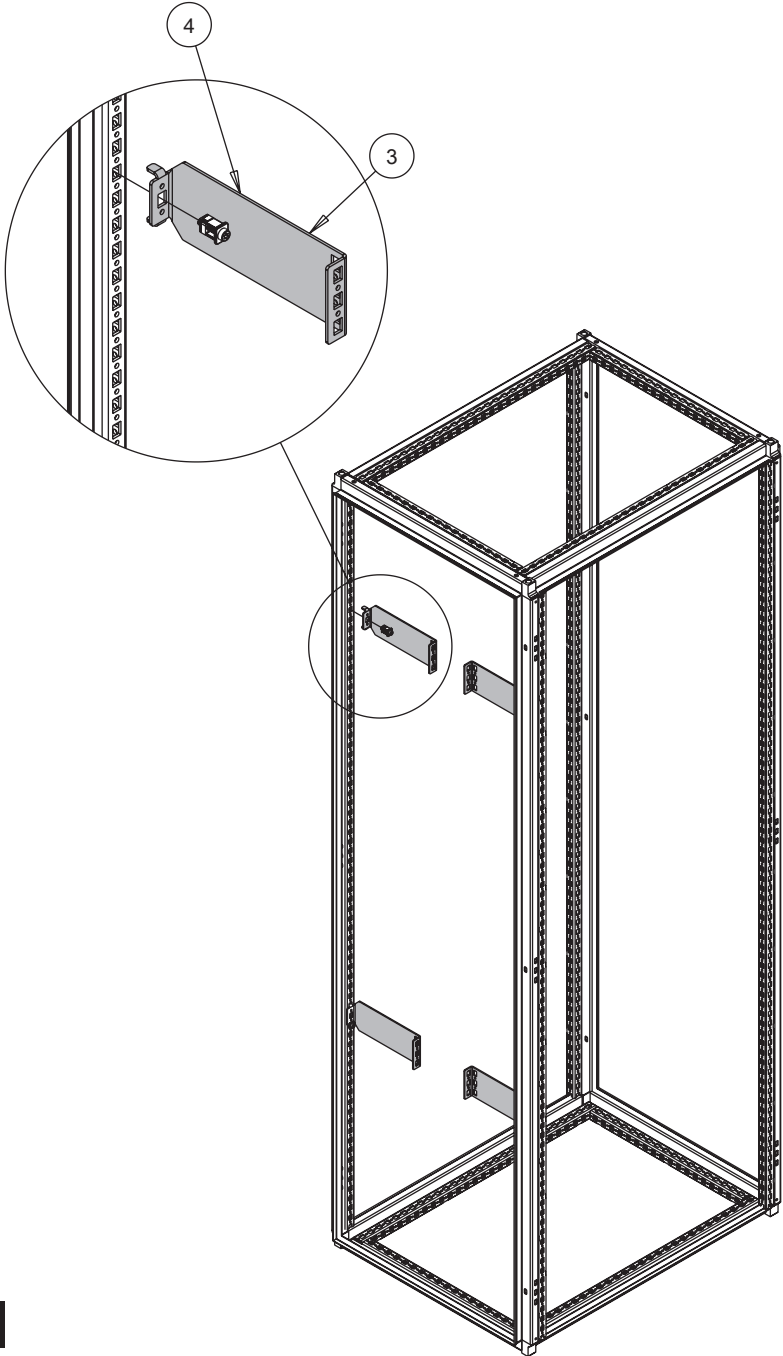
4.5 ± 0.4 N*M
[40 ± 4.0 LBF-IN]



2

P2AFRB200

4.5 ± 0.4 N*M
[40 ± 4.0 LBF-IN]



3