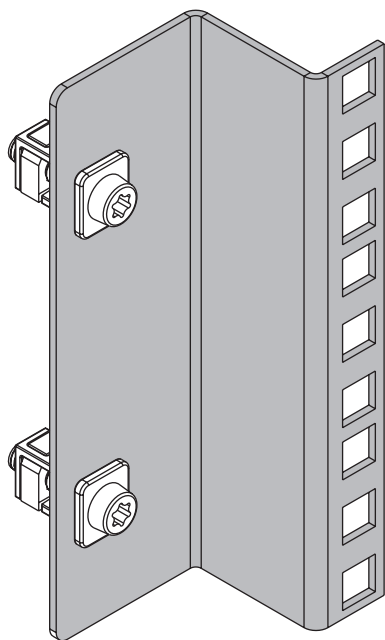
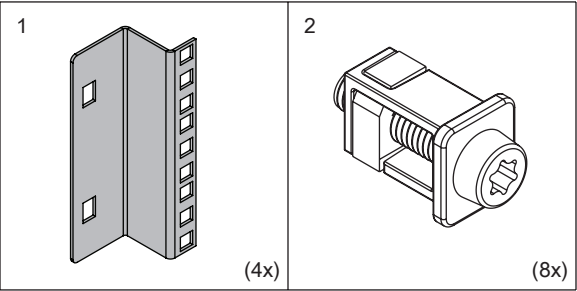


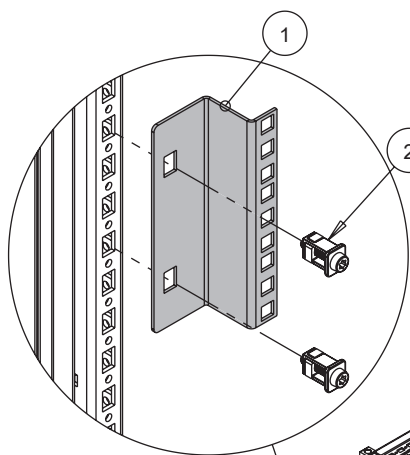


HOFFMAN

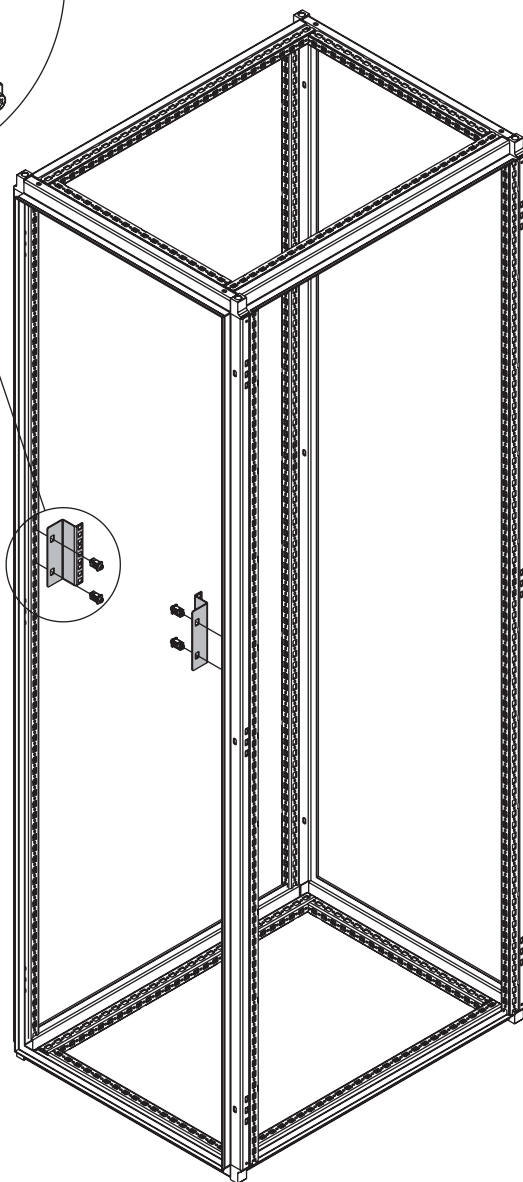
PROLINE G2







4.5 ± 0.4 N*M
[40 ± 4.0 LBF-IN]





HOFFMAN