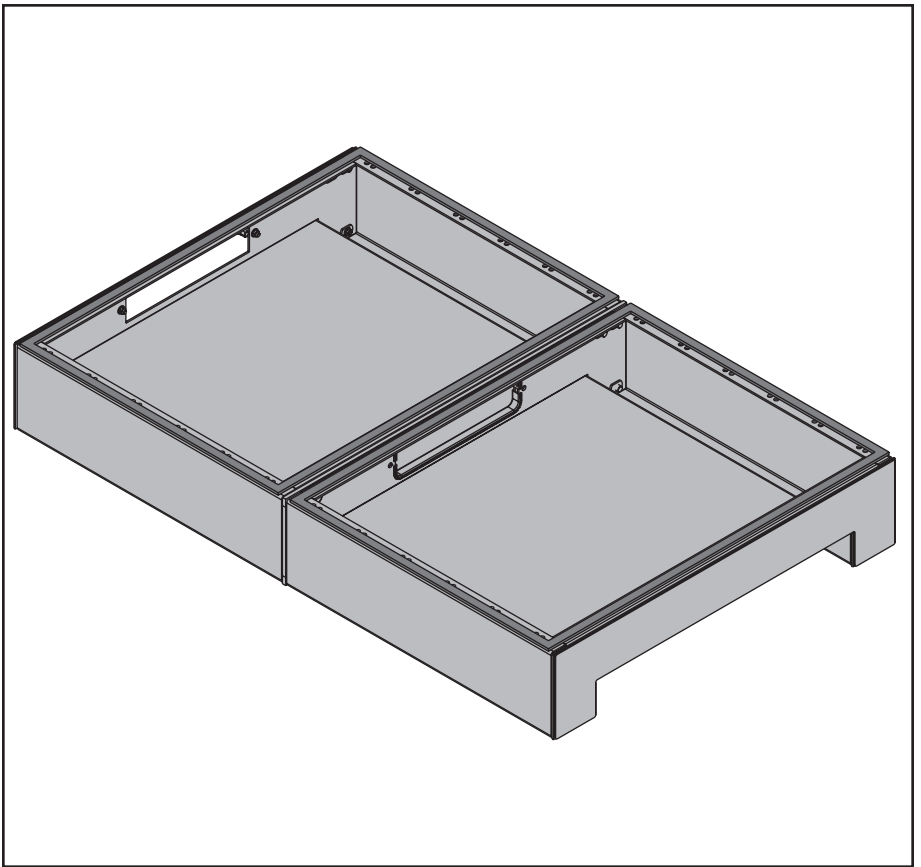
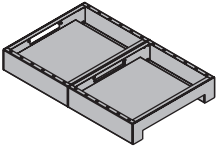
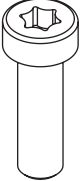
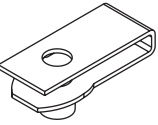
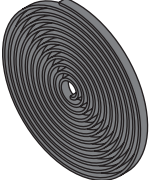




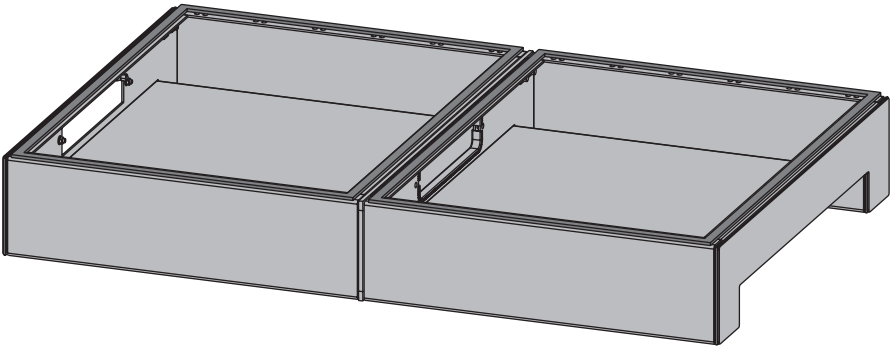
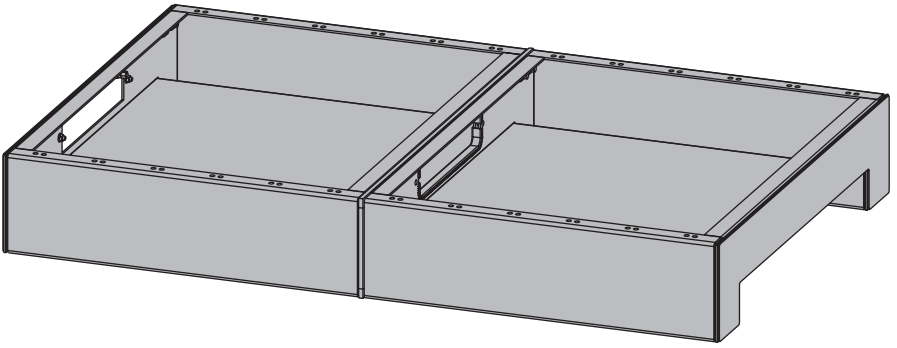
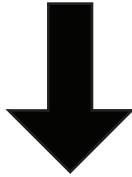
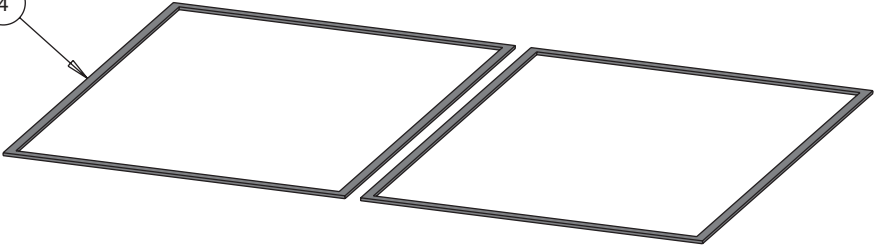
HOFFMAN

PROLINE G2

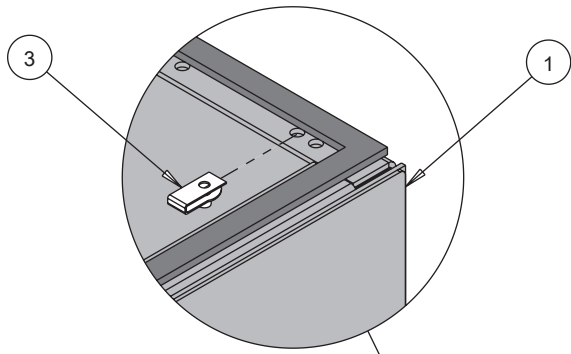


<p>1</p>  <p>(1x)</p>	<p>2</p> <p>M6X16</p>  <p>(8x)</p>
<p>3</p> <p>M6</p>  <p>(8x)</p>	<p>4</p>  <p>(1x)</p>

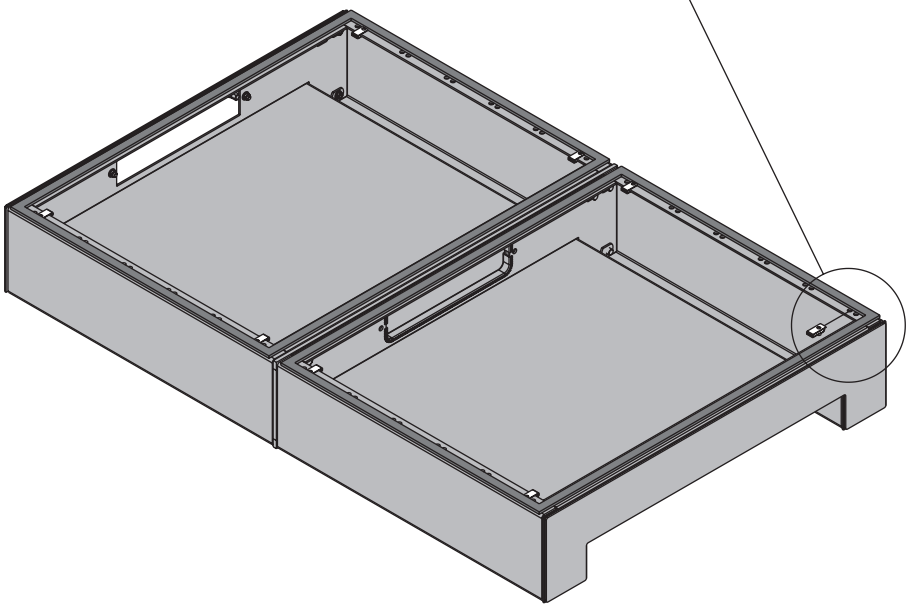
4



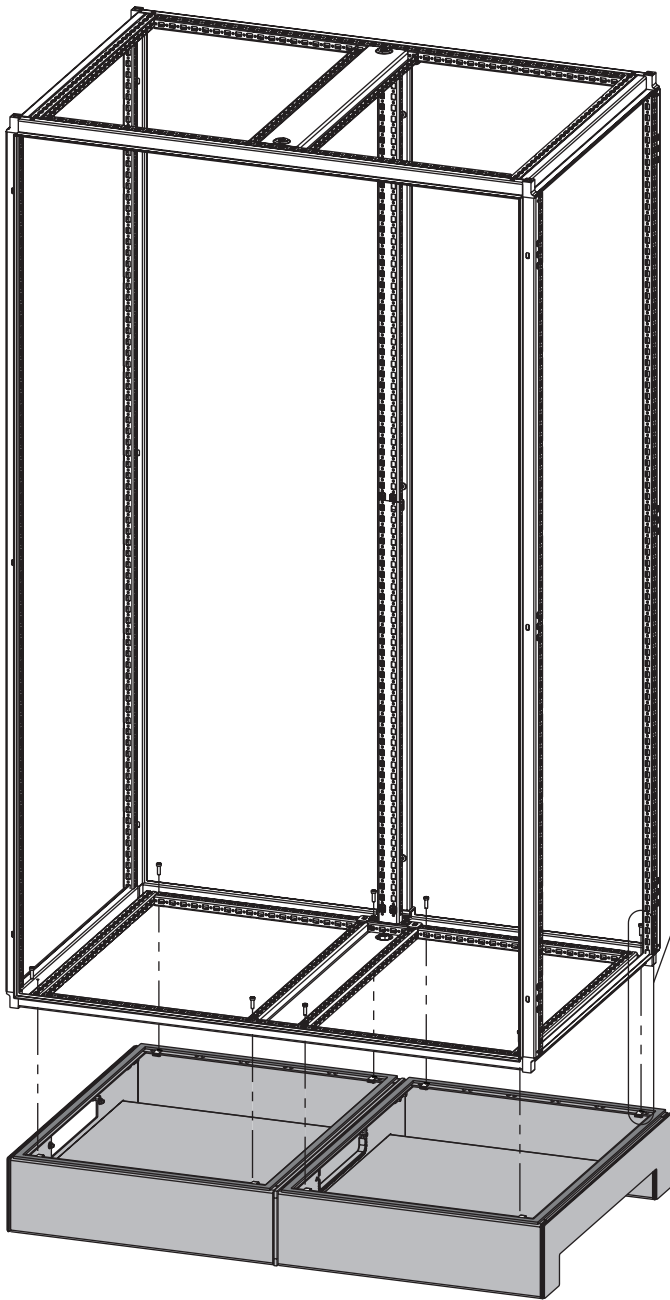
1



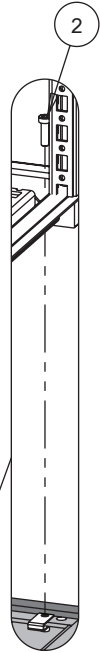
8X



2

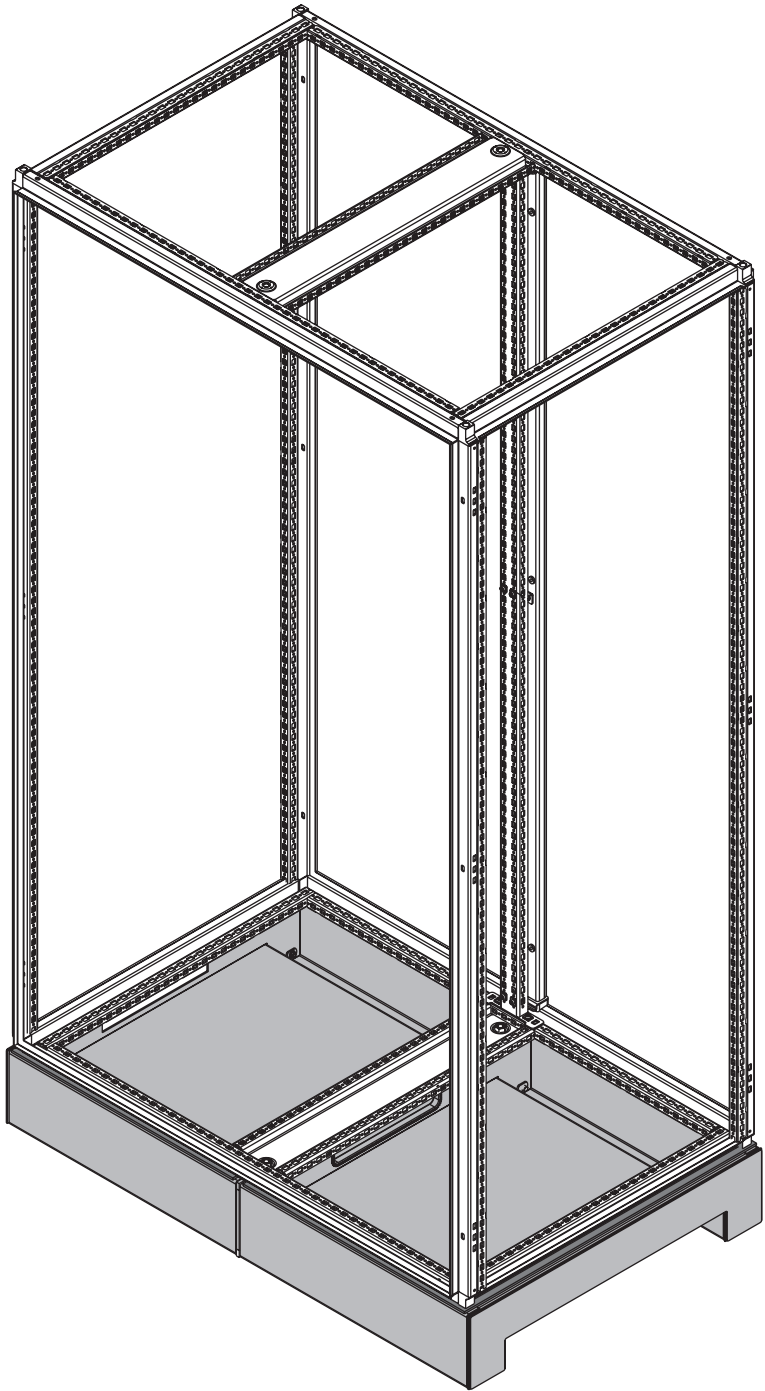


$13.6 \pm 1.4 \text{ N}^*\text{M}$
 $[120 \pm 12.0 \text{ LBF}^*\text{IN}]$



8X

3



4



HOFFMAN



HOFFMAN