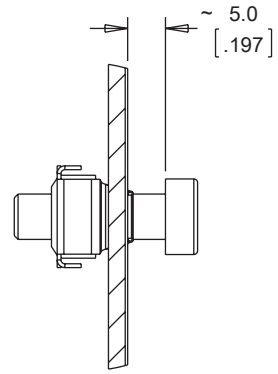
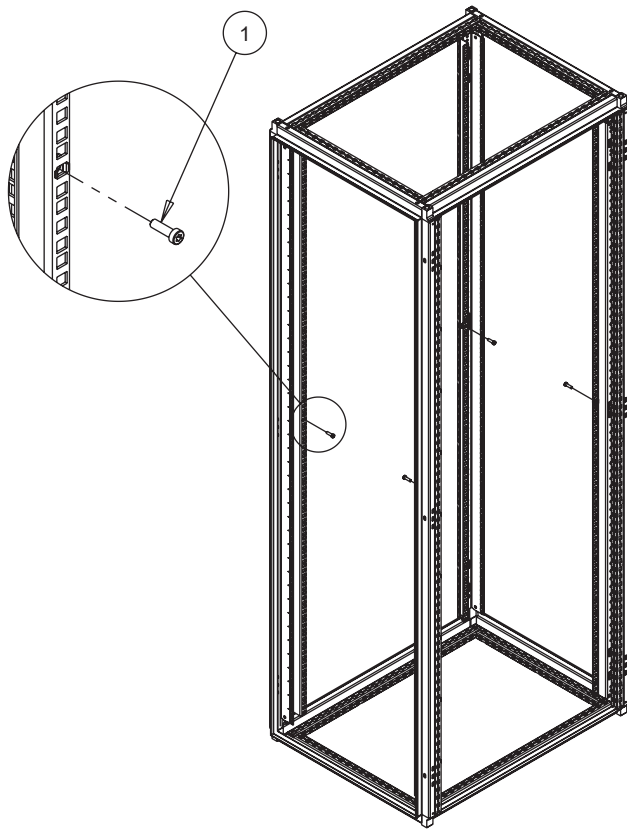
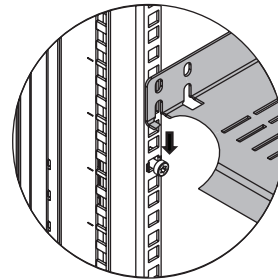
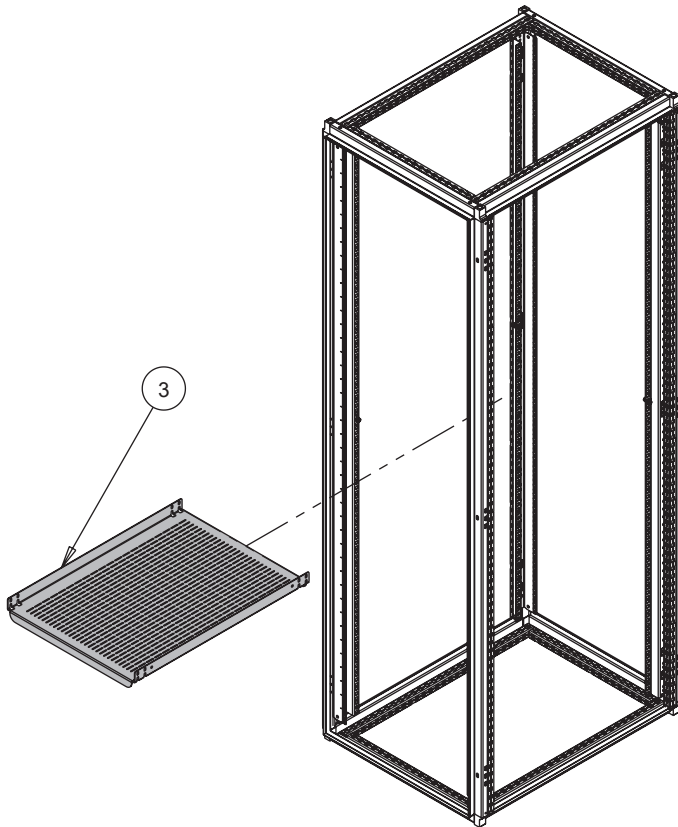


1



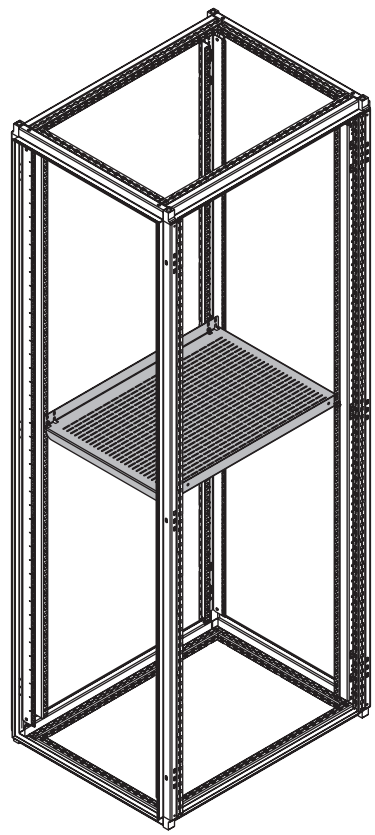
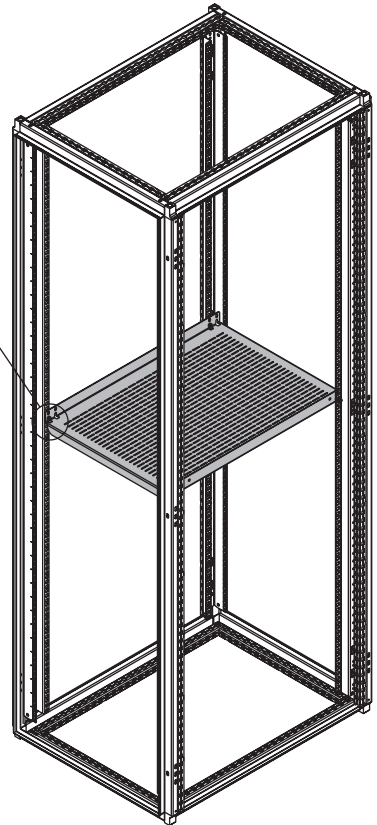
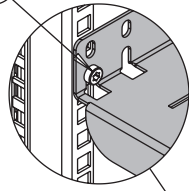
2



3

4.5 NM ± 0.5
[40 IN LB ± 4.0]

1



4