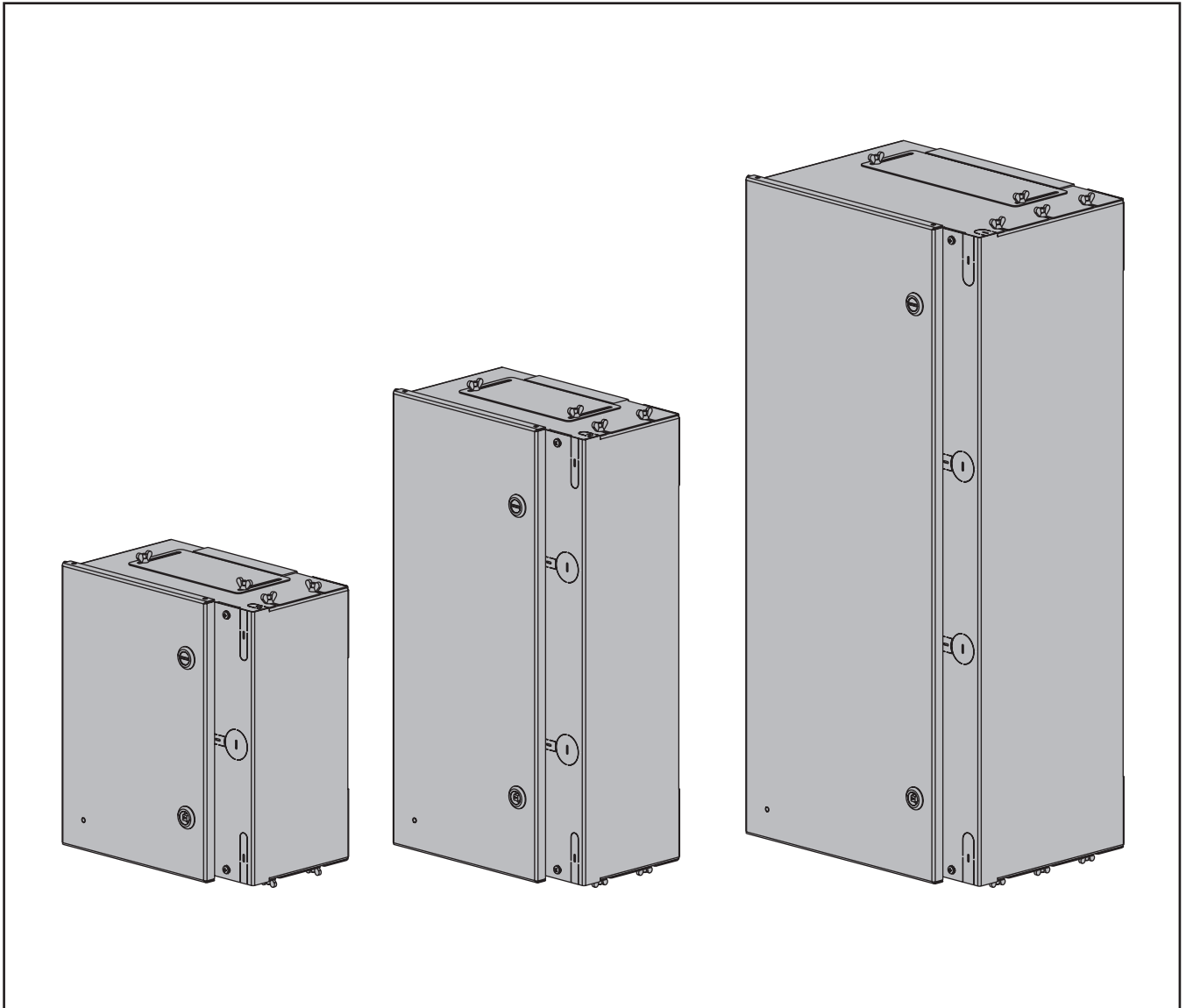


INTERNAL DISCONNECT SHIELD



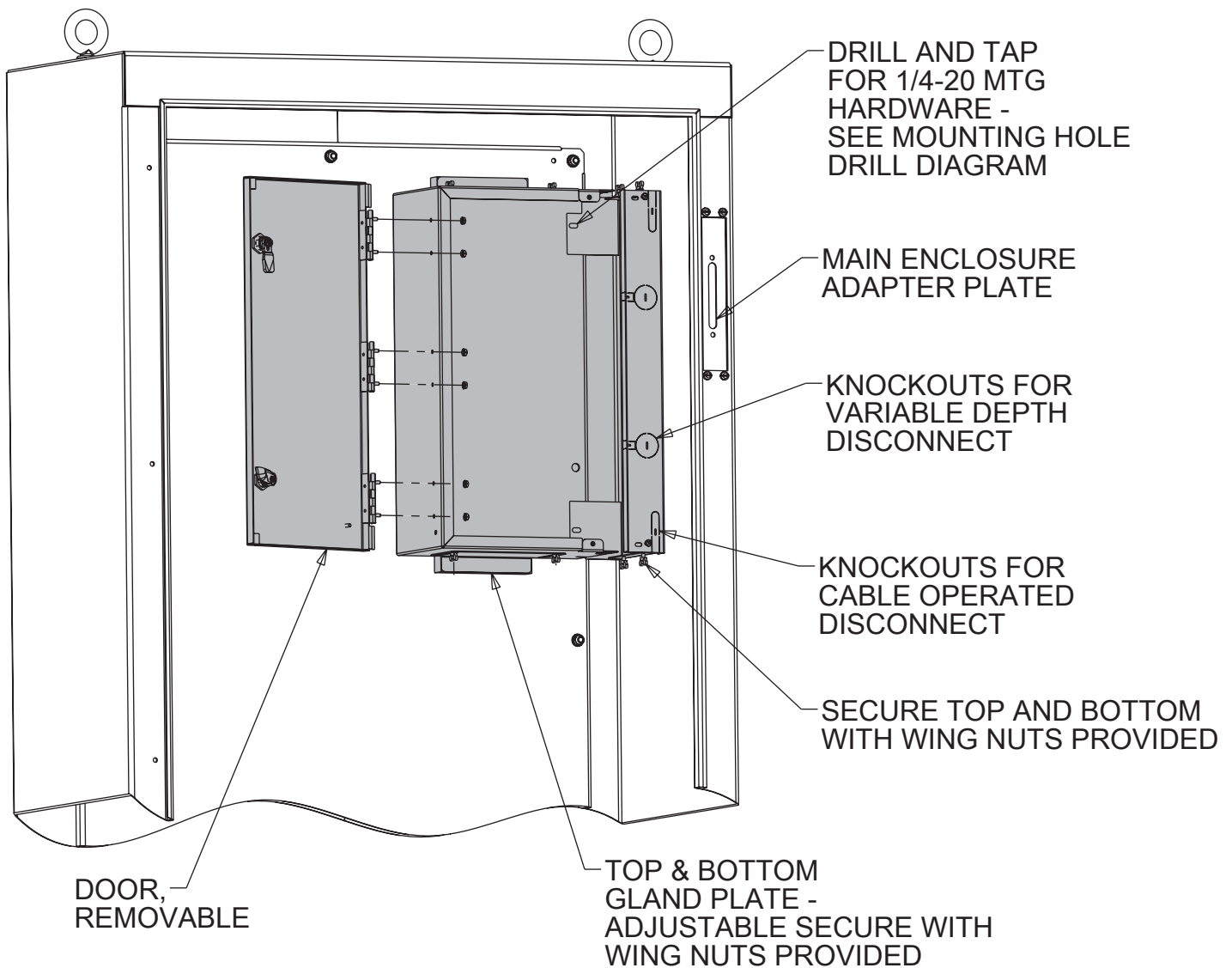
## WARNING

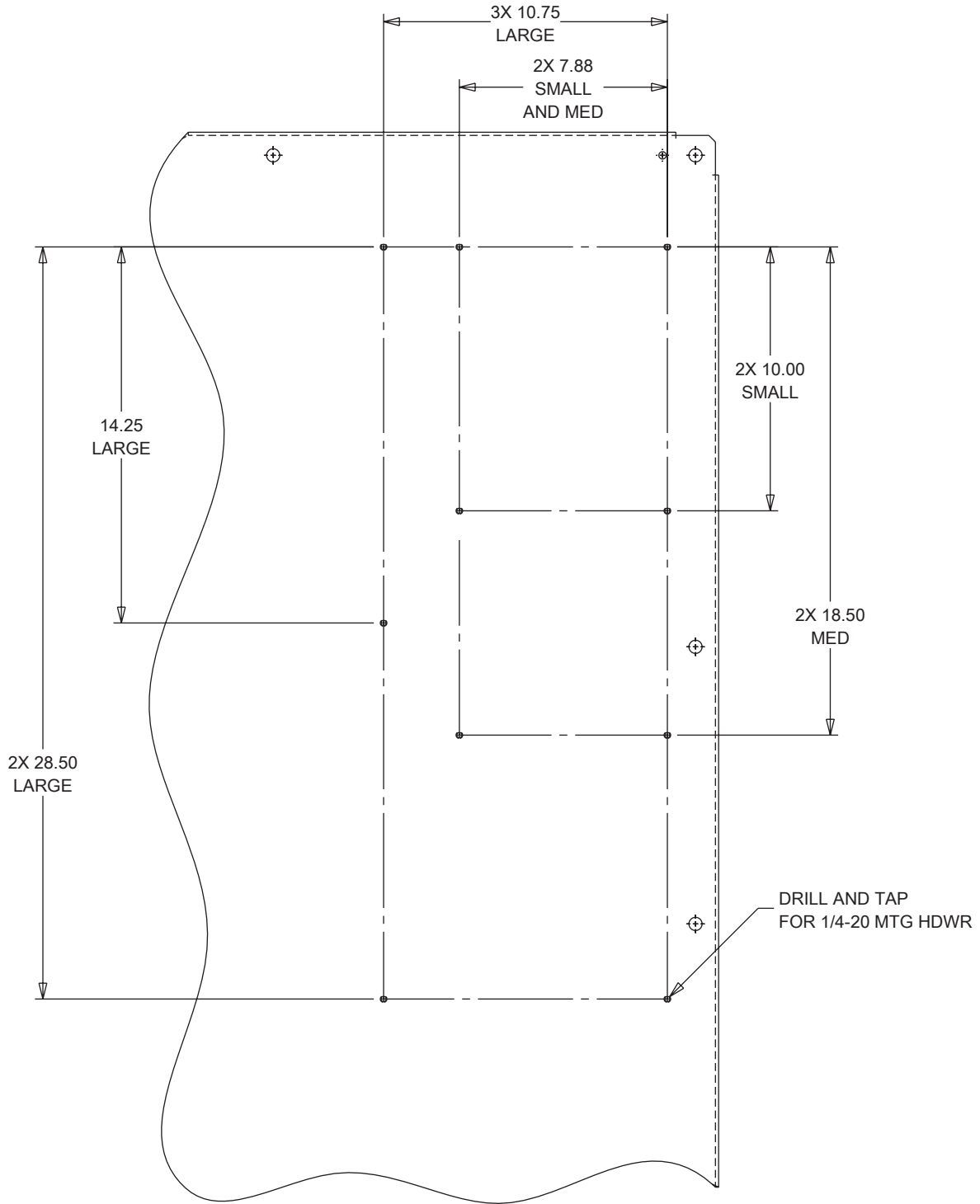
The internal disconnect shield provides a method to barrier the disconnect switch inside the main enclosure to reduce incidental contact or exposure to the line side lugs. It can be retrofitted in an existing system or integrated into a new system to reduce the risk.

The internal disconnect shield does not eliminate the potential for an arc flash. It is not designed to contain the heat and pressure or direct it away from workers if an arc flash does occur.

Be certain to check the function, fits and clearances of all equipment both before and after installation to assure that it operates properly and safely and meets all applicable codes, standards and regulations.

This product has an open back and is intended to be mounted to the internal panel of a Type rated Control Panel.





MOUNTING HOLE DRILL DIAGRAM  
FOR SMALL, MEDIUM AND LARGE  
INTERNAL DISCONNECT SHIELDS

