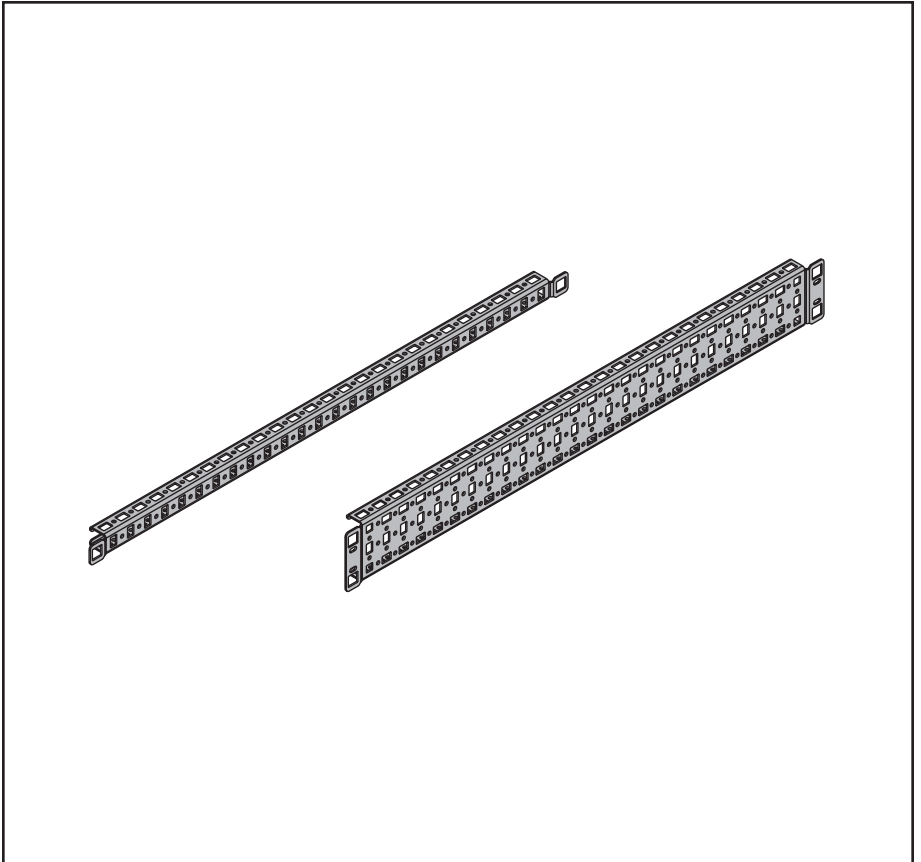
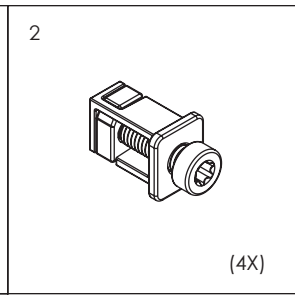
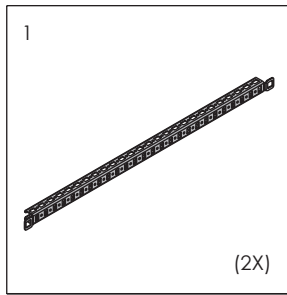
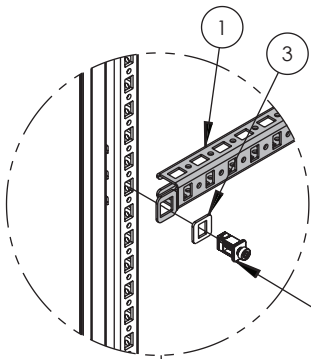




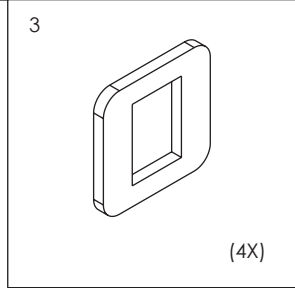
HOFFMAN

PROLINE G2

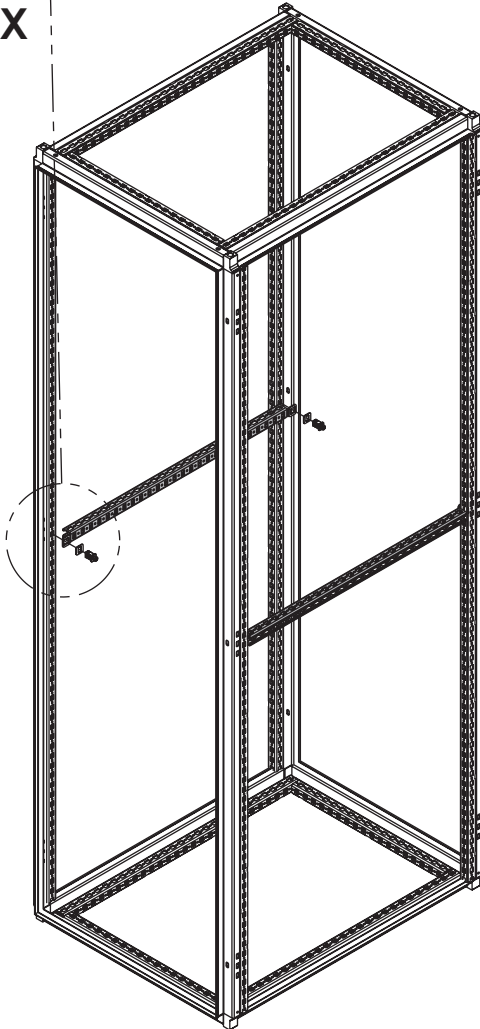


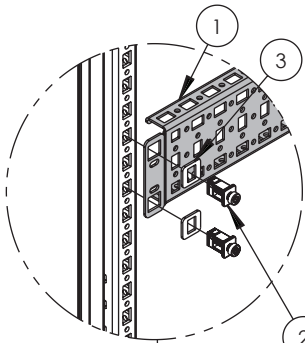


2 $4.5 \pm 0.5 \text{ N}^* \text{M}$
 $[40 \pm 4.0 \text{ LBF}^* \text{IN}]$

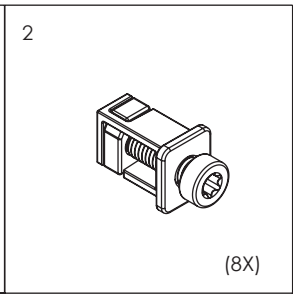
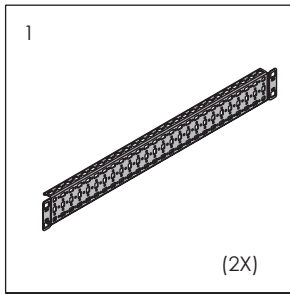


2X

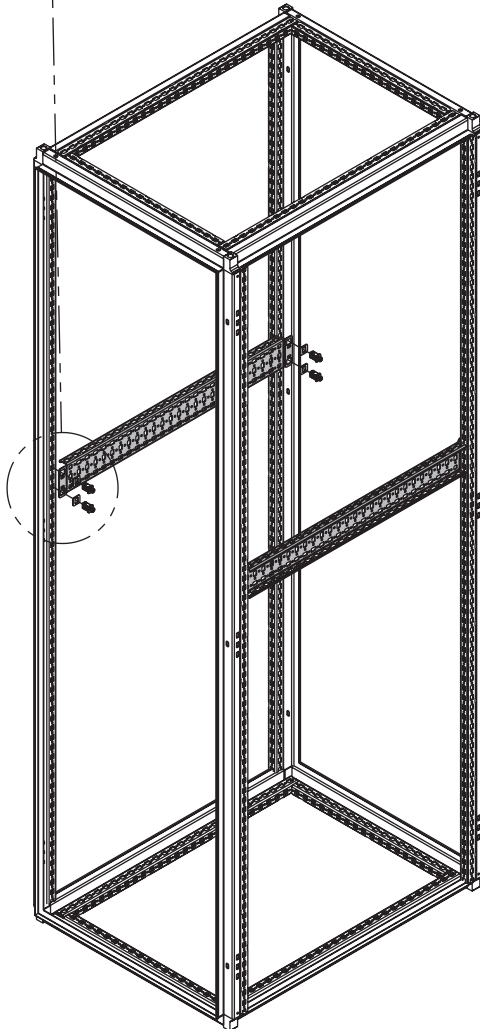
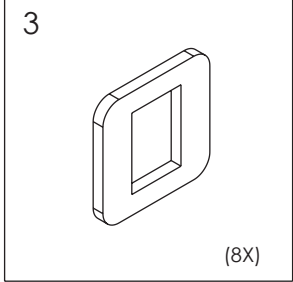




2X



4.5±0.5 N*M
[40±4.0 LBF*IN]





HOFFMAN