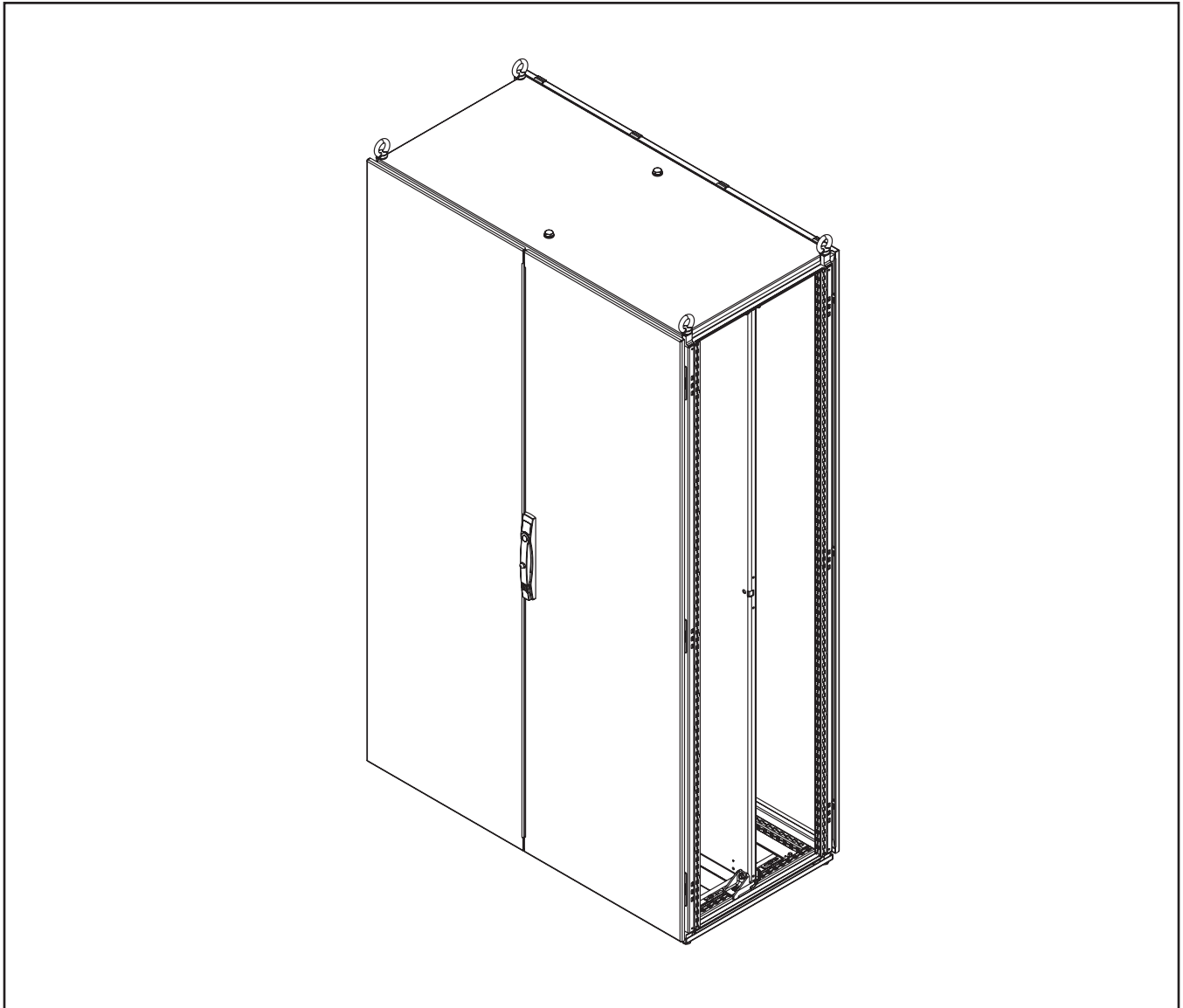


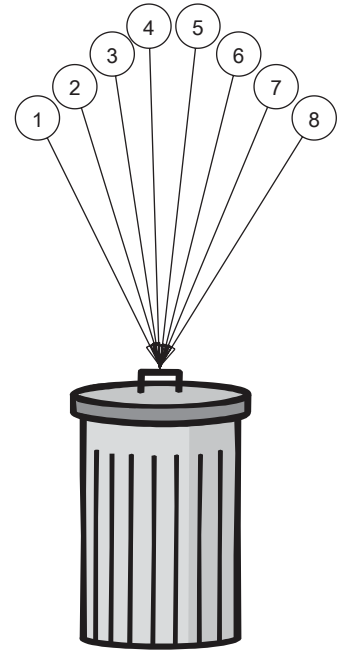
PROLINE G2

3R

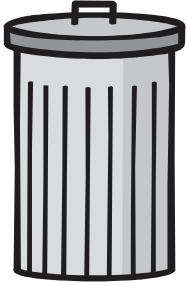


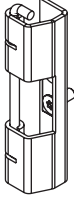
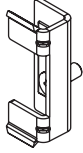
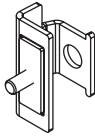

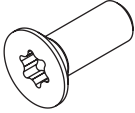

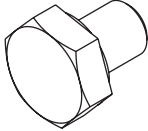
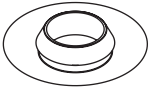


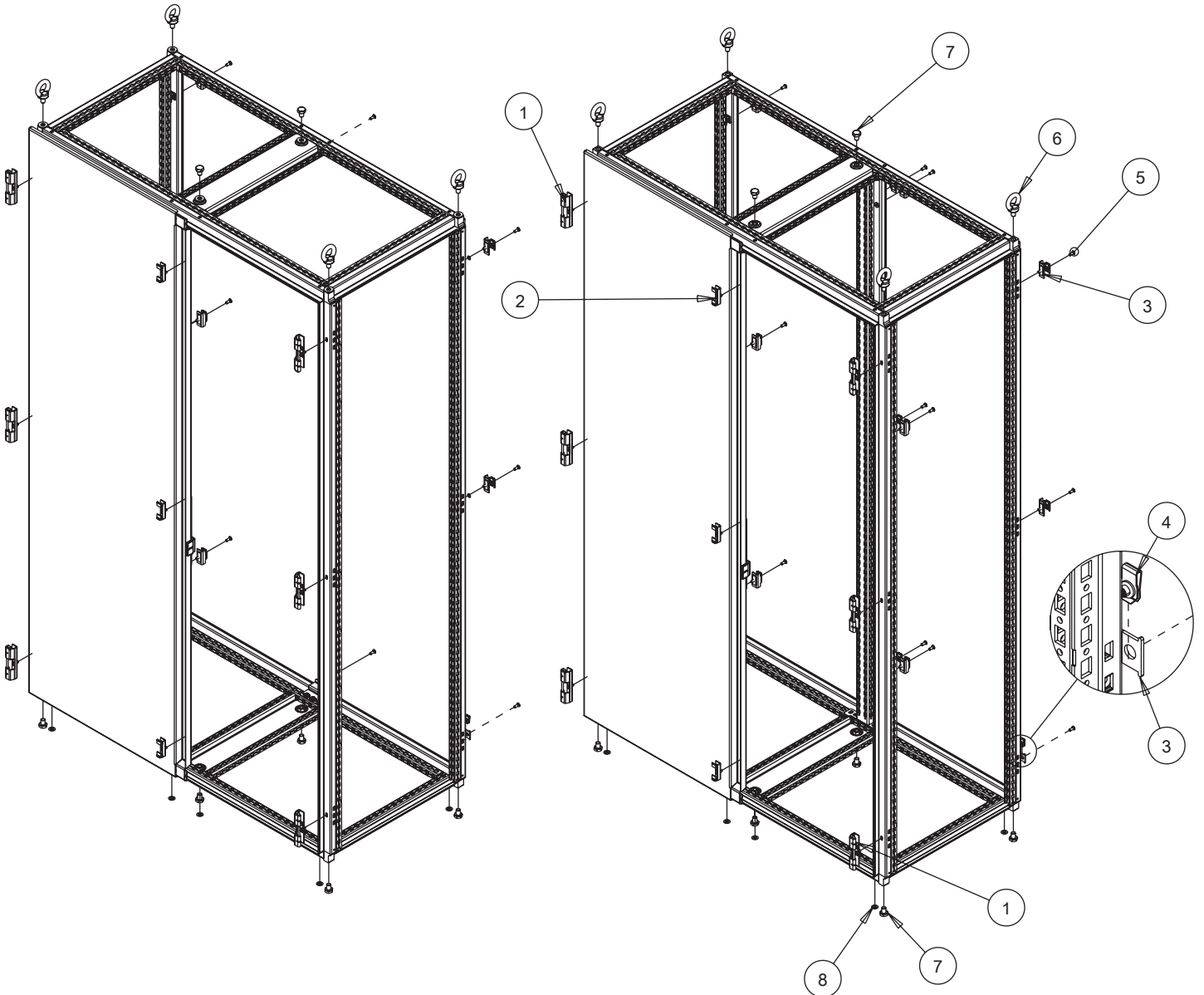
1 (6x)	2 (3x)		
3 (8x)/(12x)	4 (8x)/(12x)	5 M6X1.0 (8x)/(12x)	
6 M12X1.75 (4x)	7 M12X1.75 (8x)	8 (8x)	



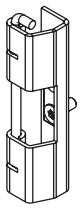
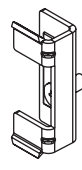
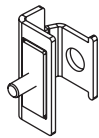

9 (6x)	10 (3x)	11 (12x)	12 (12x)
13 M6X1.0 (12x)	14 (12x)		
15 M12X1.75 (8x)	16 (6x)		

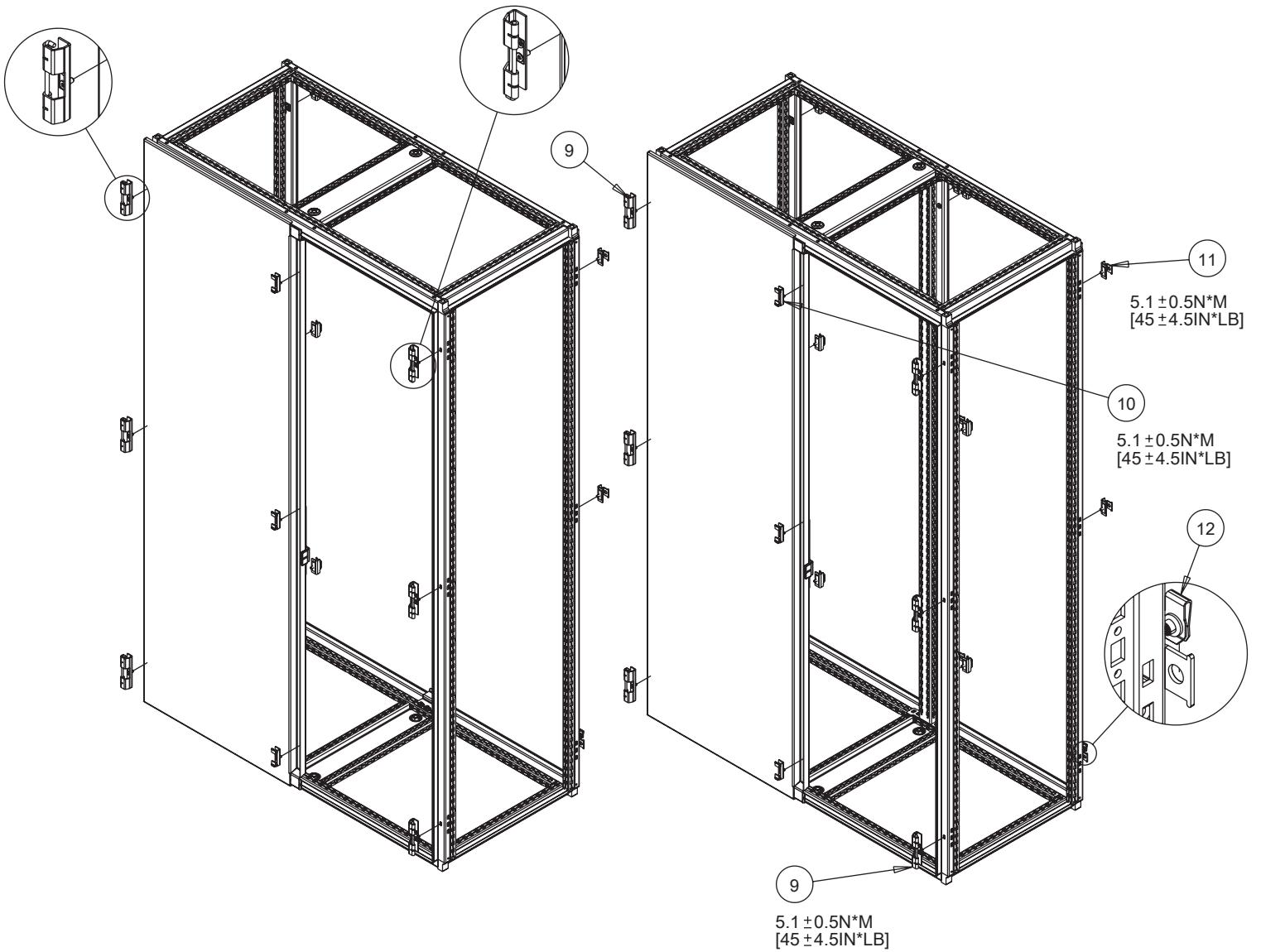


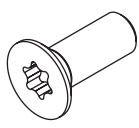

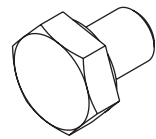
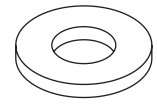
1  (6x)	2  (3x)	3  (8x)/(12x)	4  (8x)/(12x)
5  (8x)/(12x)	6  (4x)	7  (8x)	8  (8x)

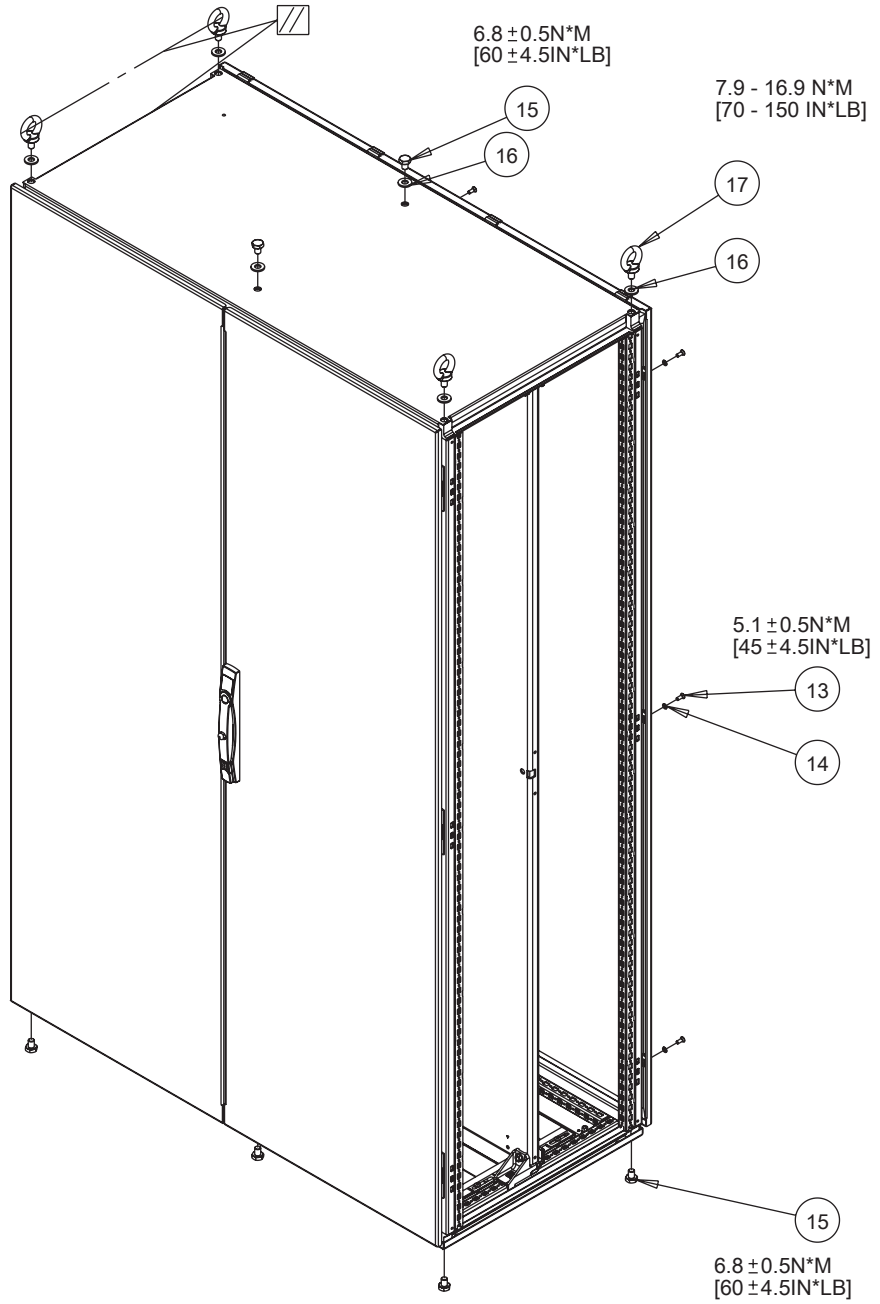
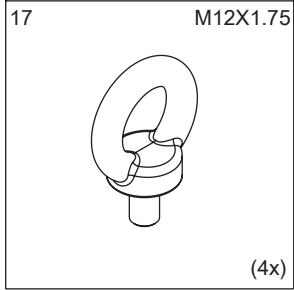


3R

9  (6x)	10  (3x)	11  (8x)/(12x)	12  (8x)/(12x)
---	---	--	---



<p>13 M6X1.0</p>  <p>(8x)/(12x)</p>	<p>14</p>  <p>(8x)/(12x)</p>	<p>15 M12X1.75</p>  <p>(8x)</p>	<p>16</p>  <p>(6x)</p>
--	---	---	---





HOFFMAN



HOFFMAN



HOFFMAN