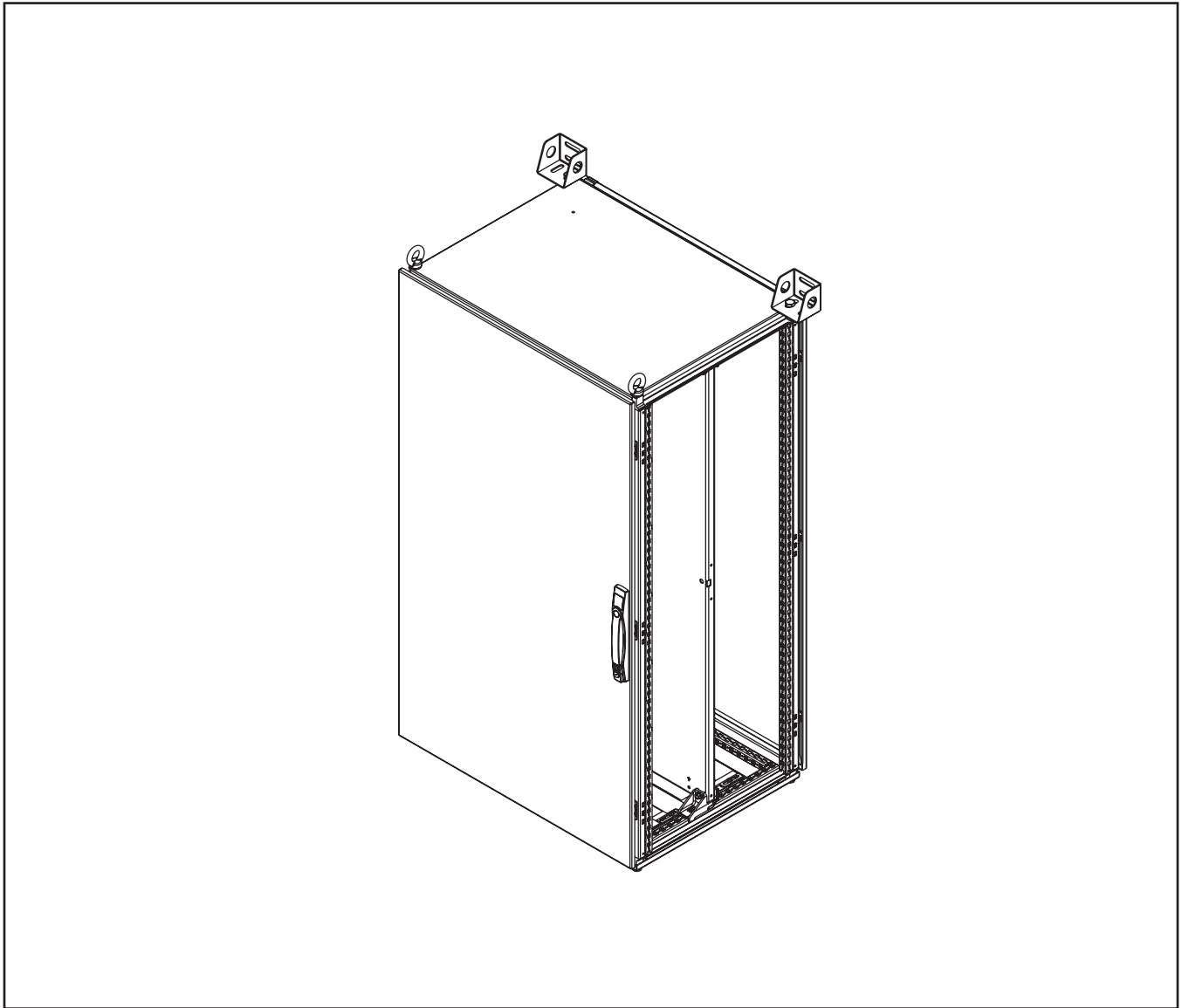
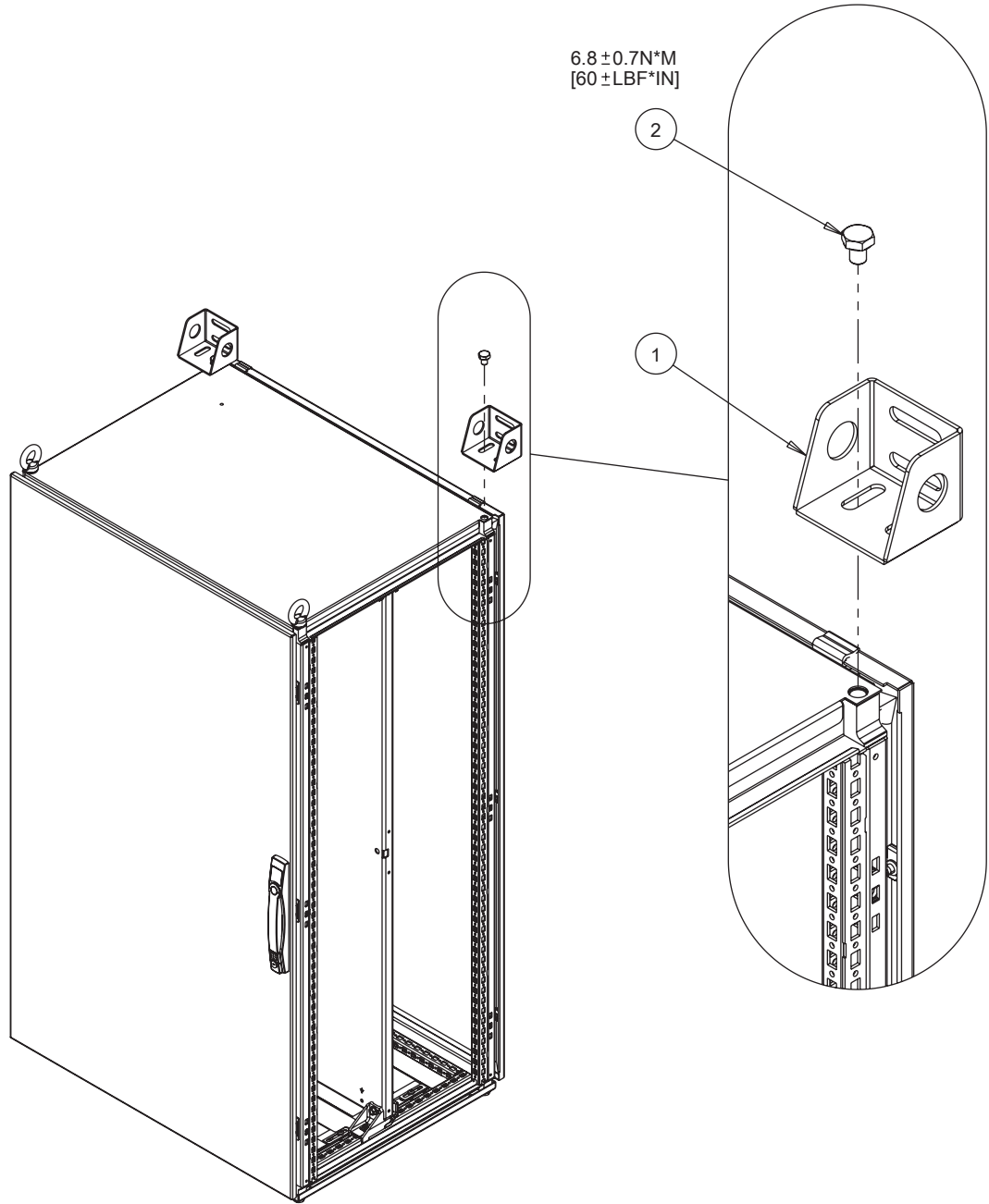
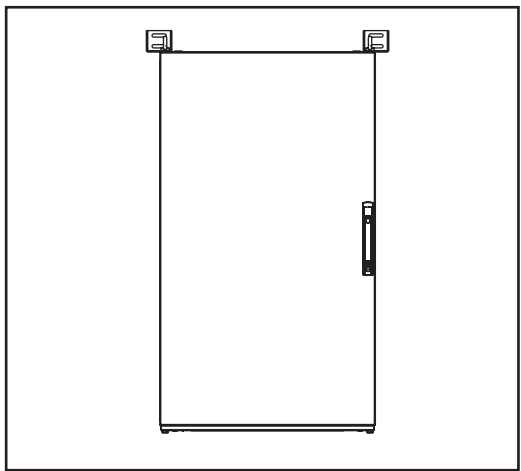
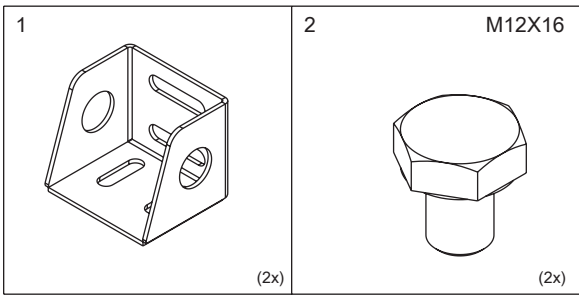
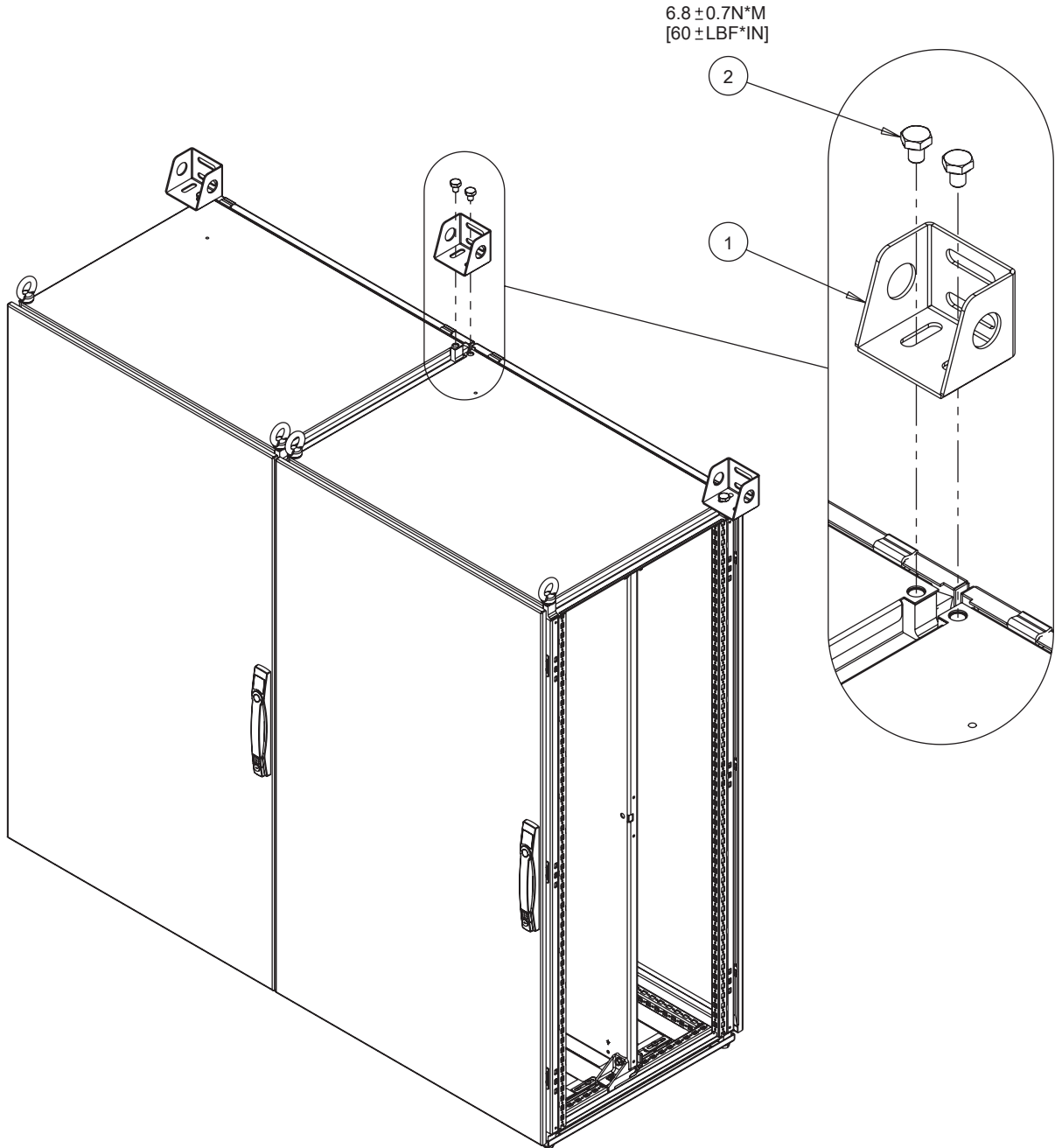
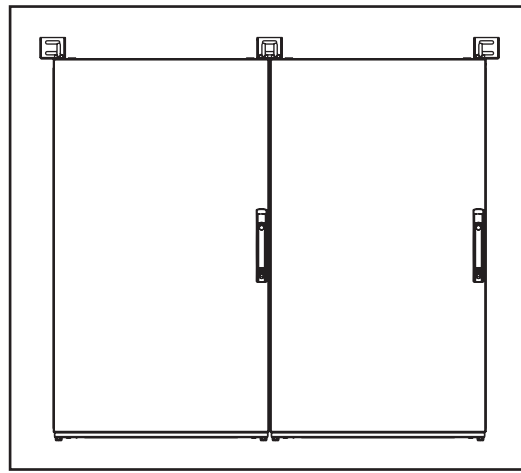
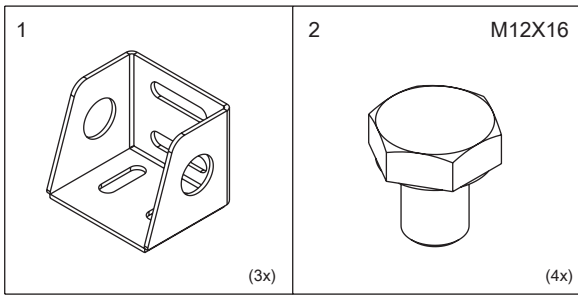
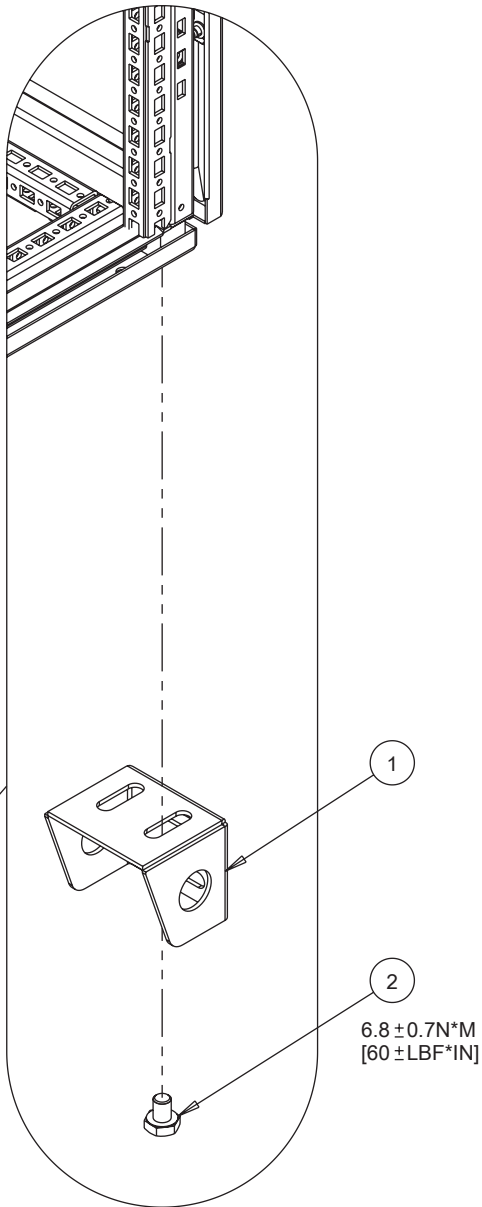
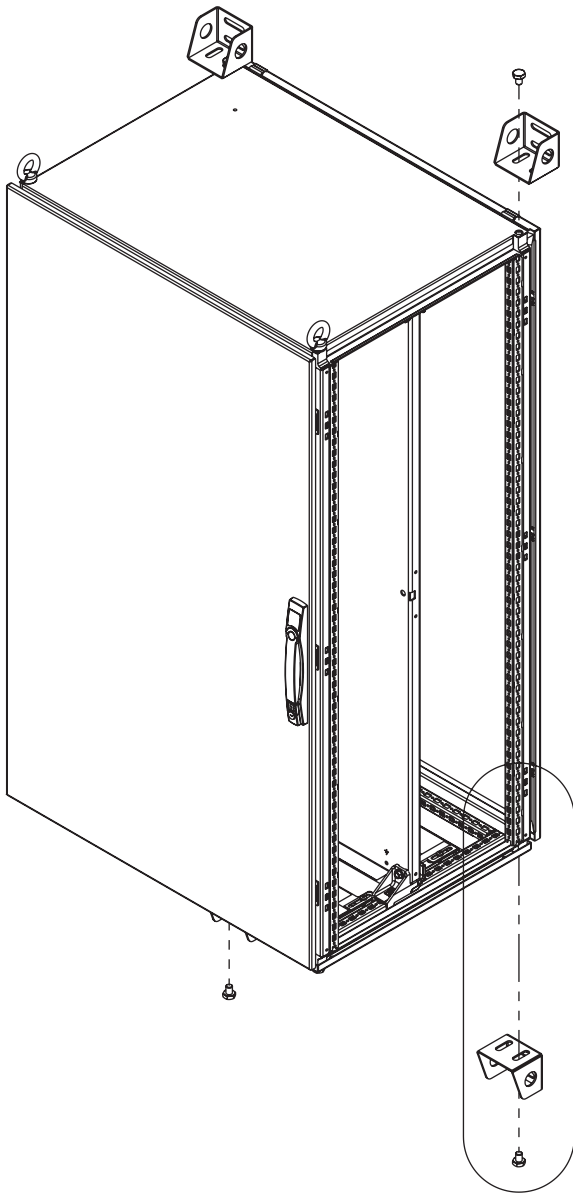
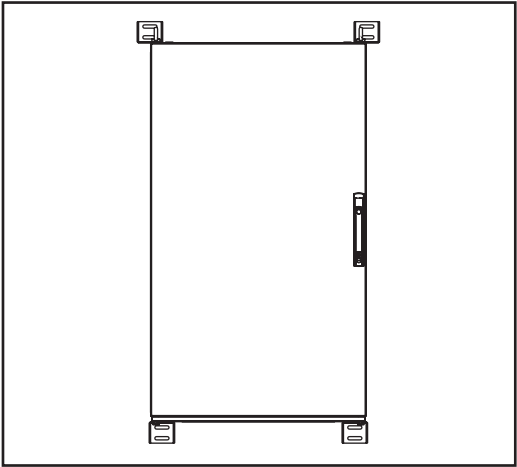
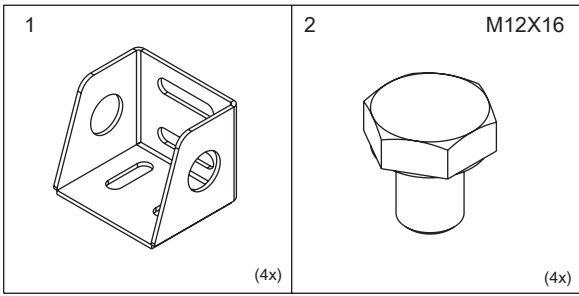


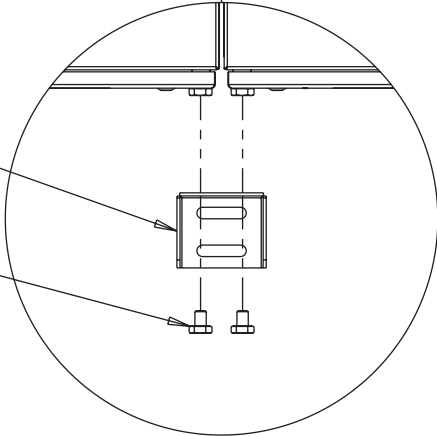
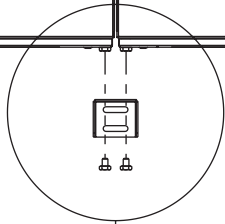
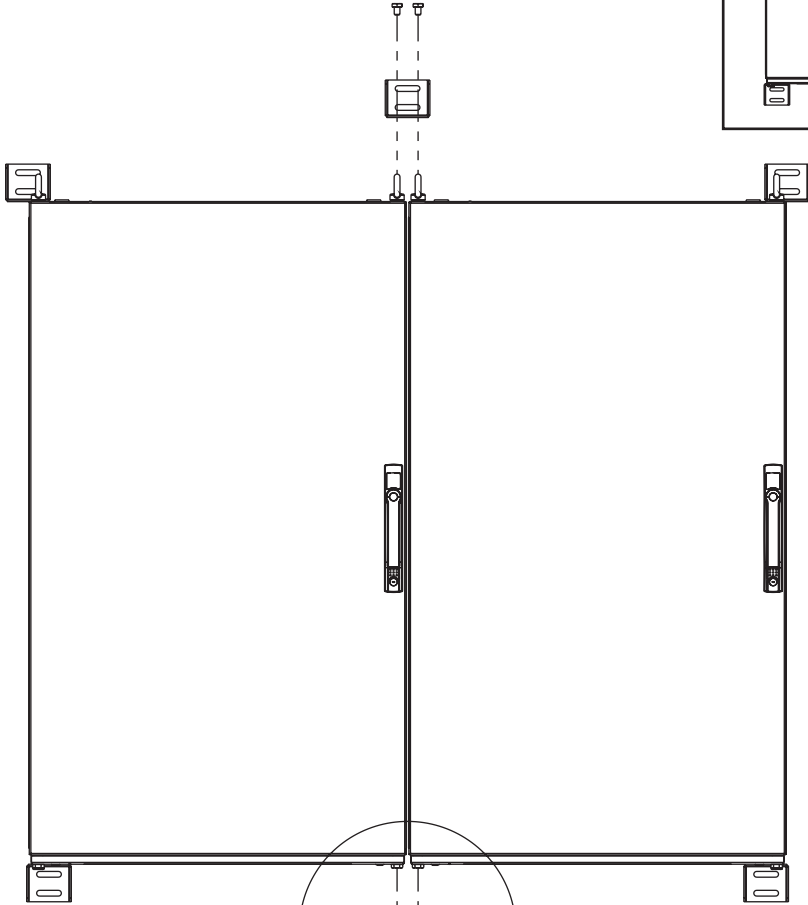
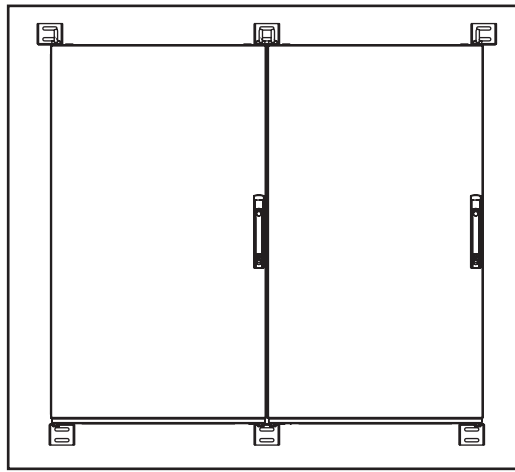
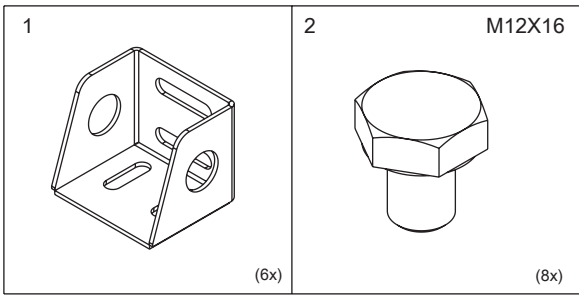
PROLINE G2



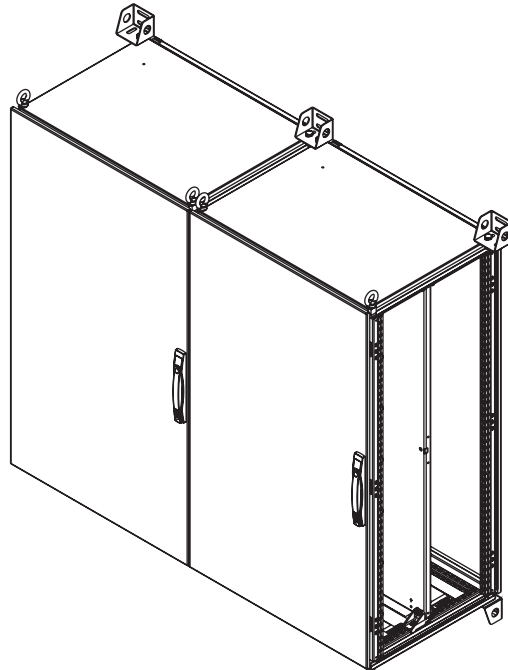








6.8 ± 0.7N*M
[60 ± LBF*IN]





HOFFMAN



HOFFMAN



HOFFMAN