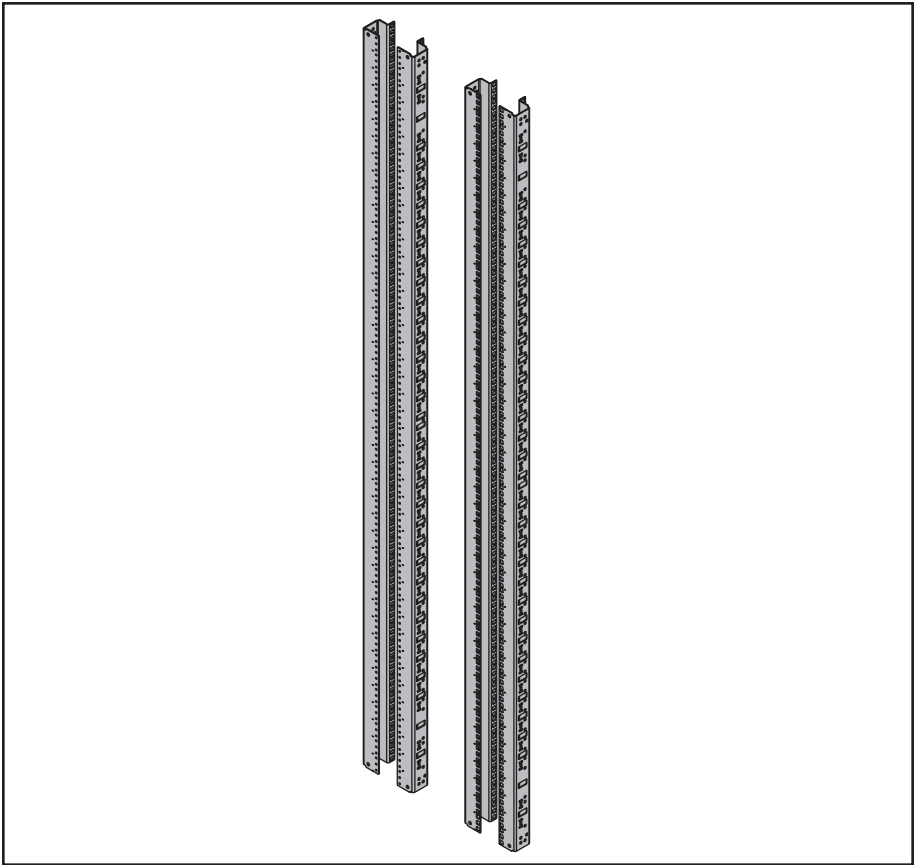


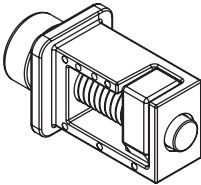
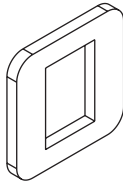
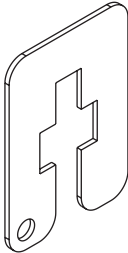




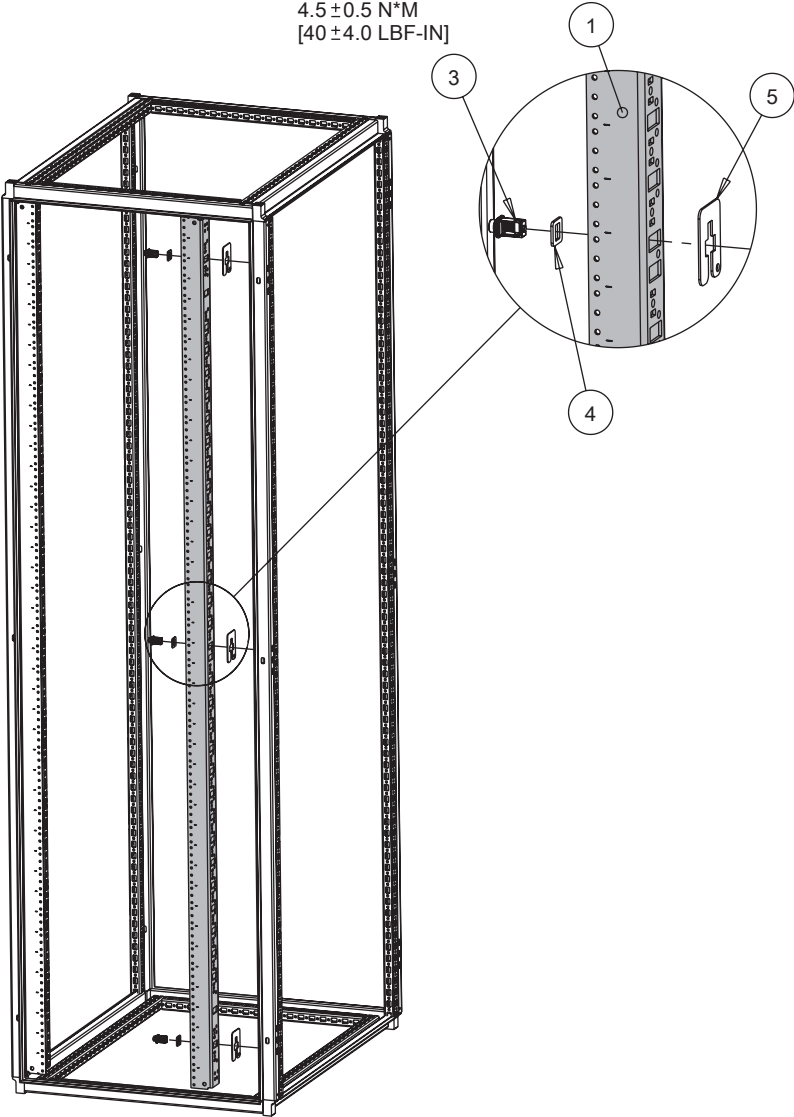
HOFFMAN

PROLINE G2

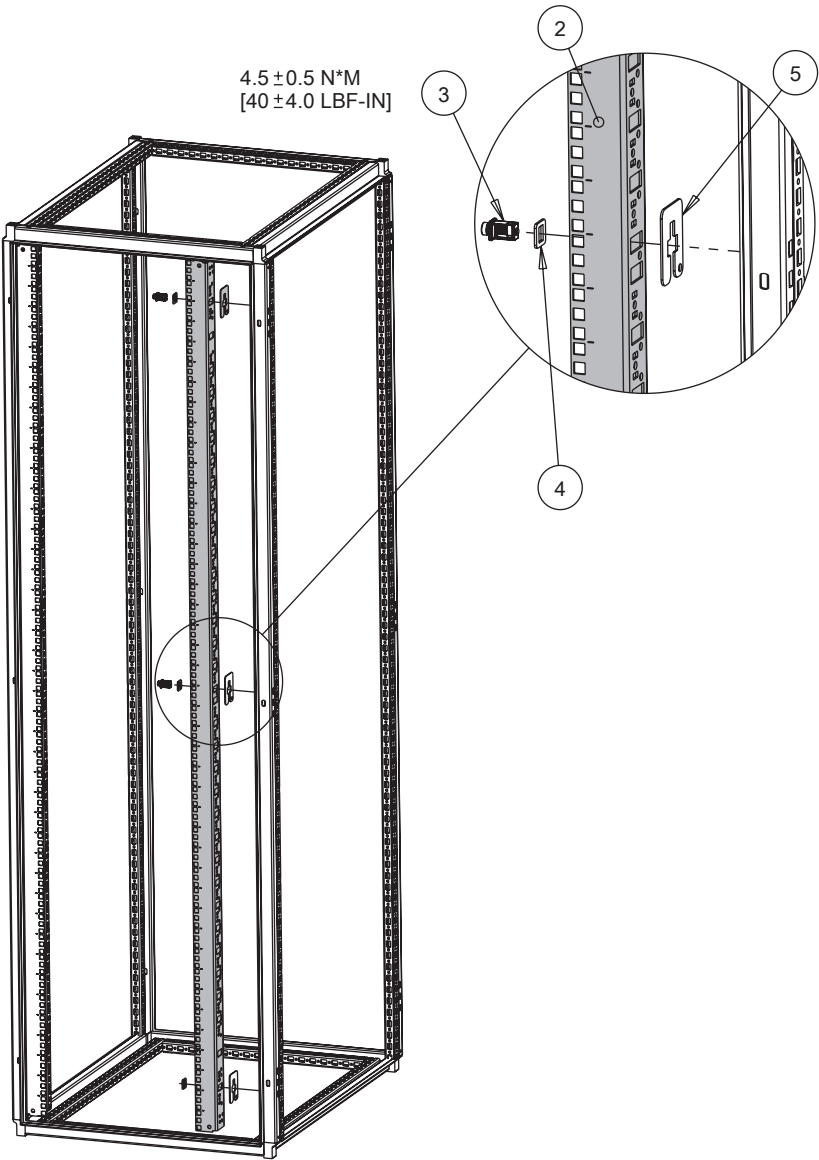


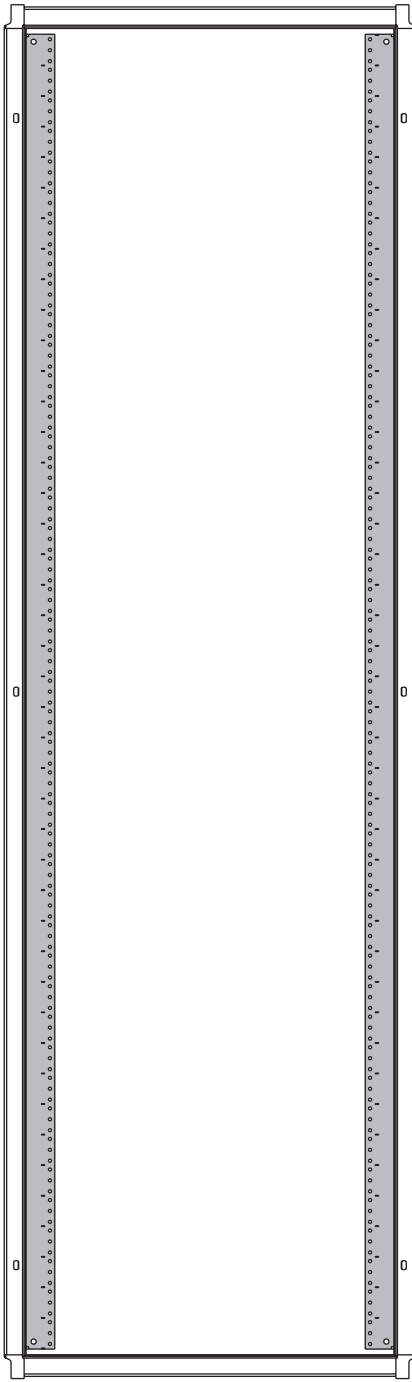
<p>1</p>  <p>P2RAXXTXX (2X) P2RAXXSXX (0X)</p>	<p>2</p>  <p>P2RAXXSXX (2X) P2RAXXTXX (0X)</p>	<p>3</p>  <p>(6x)</p> <p>4</p>  <p>(6x)</p>
<p>5</p>  <p>(6x)</p>		

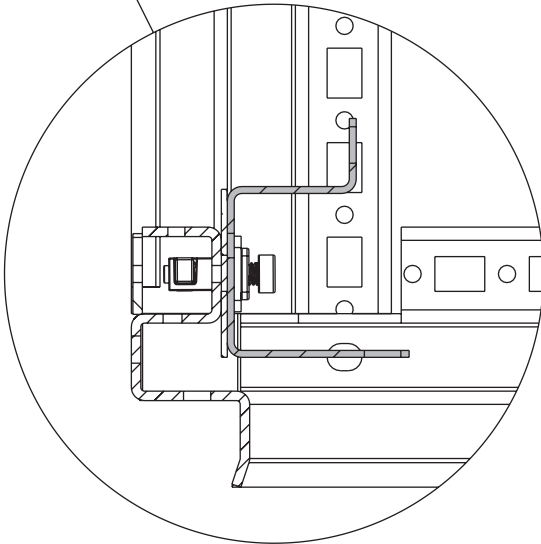
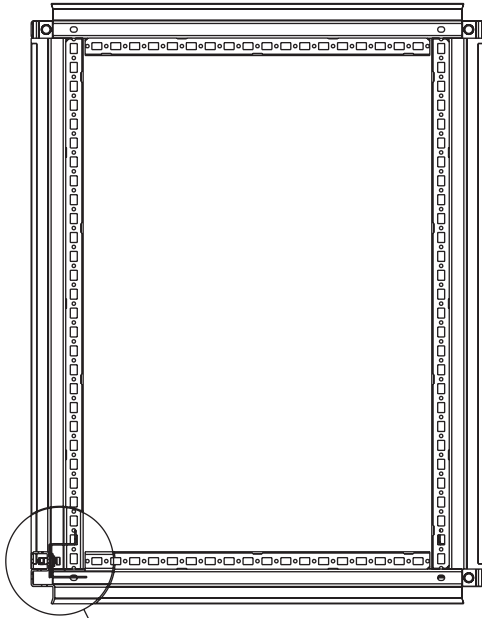
4.5 ± 0.5 N*M
[40 ± 4.0 LBF-IN]



$4.5 \pm 0.5 \text{ N}\cdot\text{M}$
 $[40 \pm 4.0 \text{ LBF}\cdot\text{IN}]$









HOFFMAN



HOFFMAN