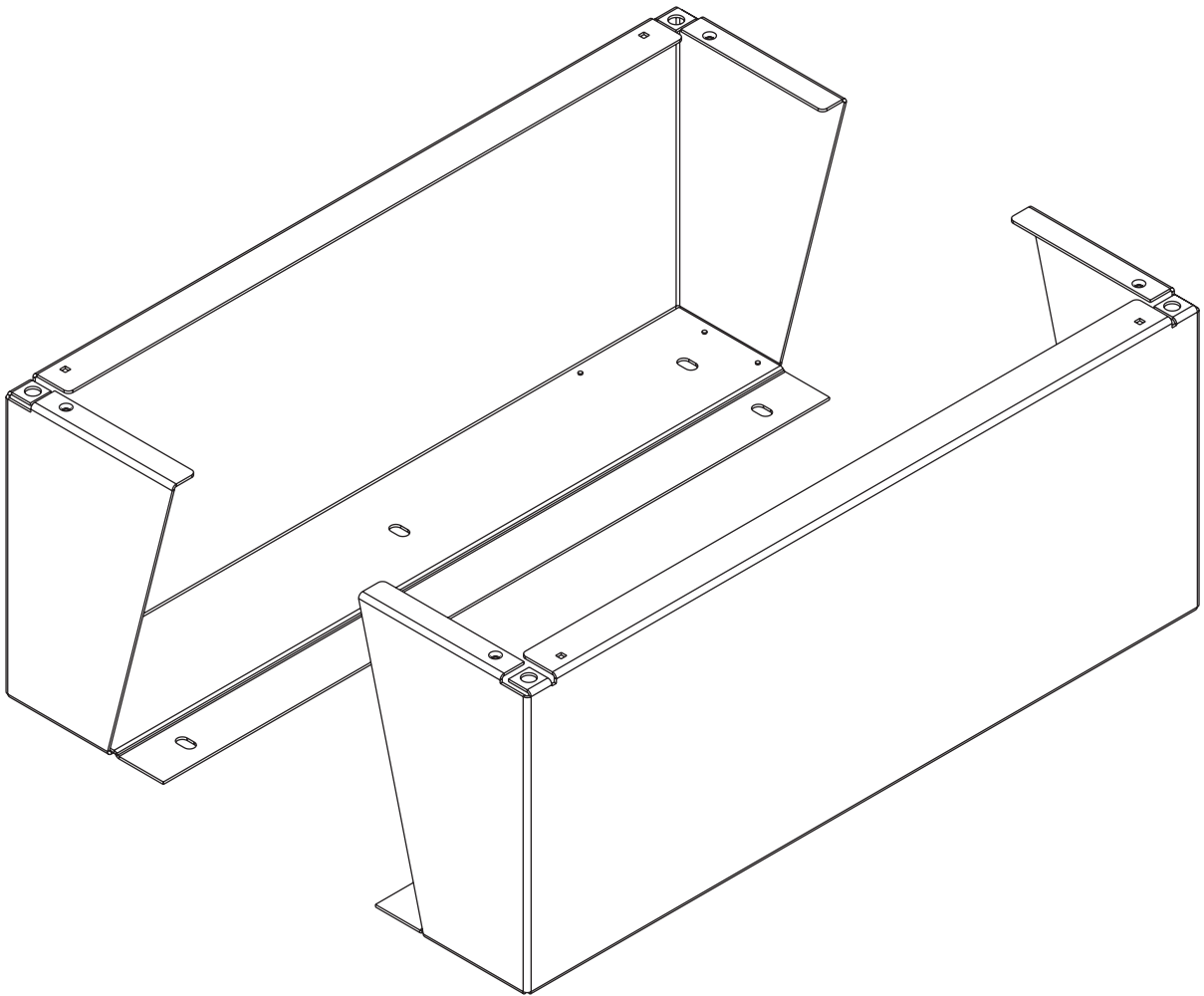
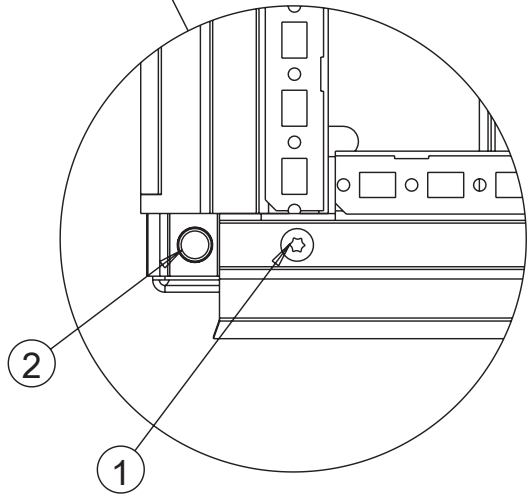
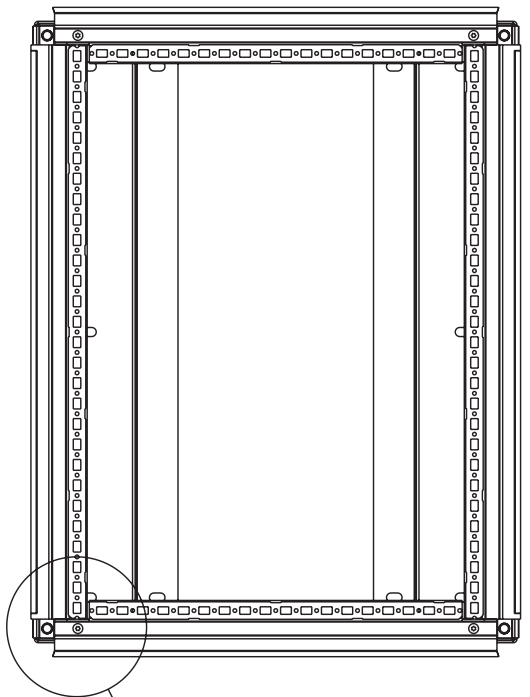
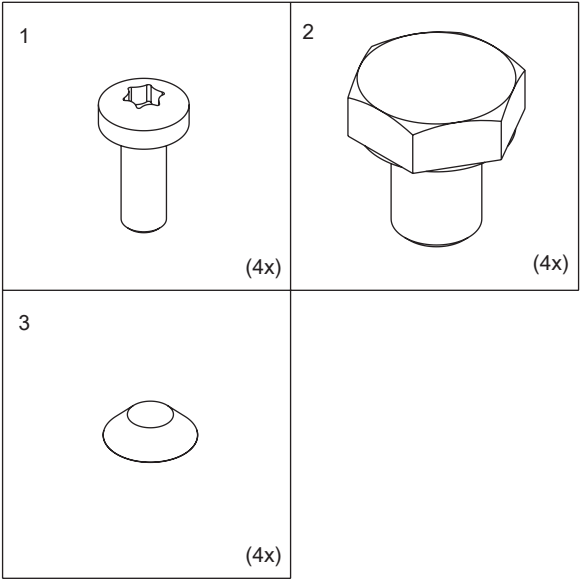
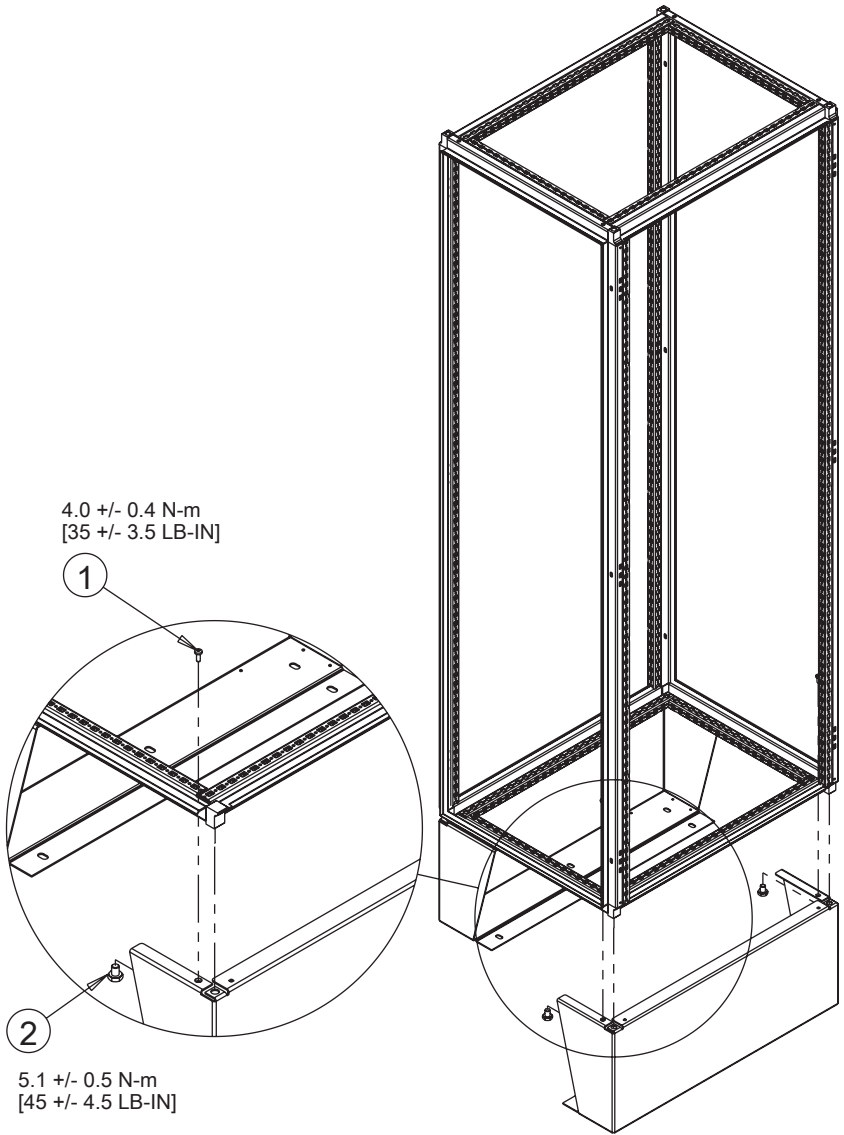
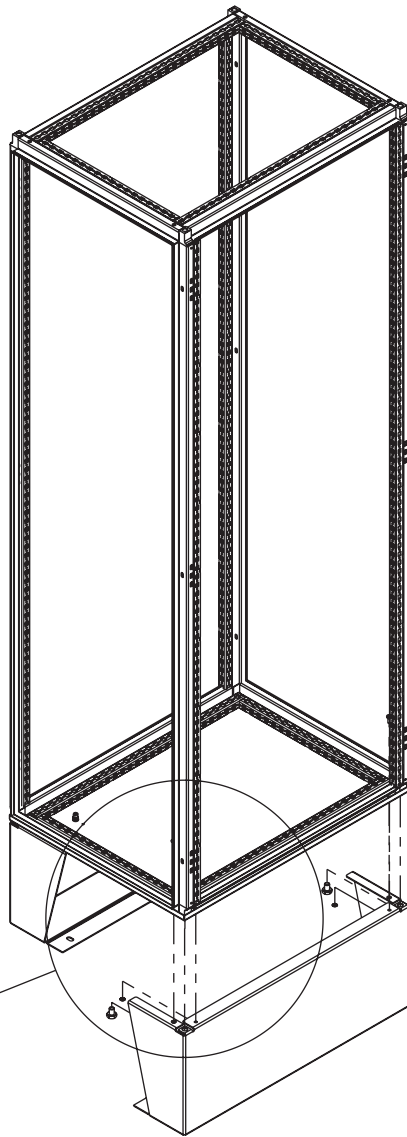


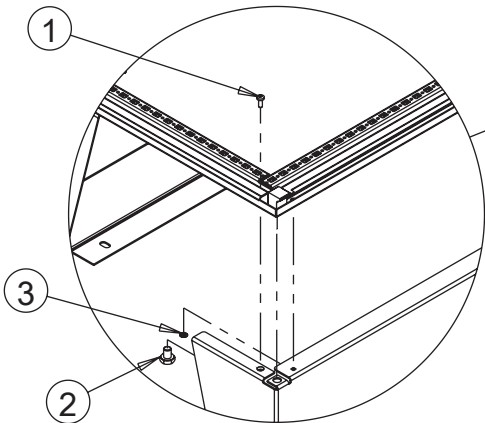
ProLine G2







4.0 +/- 0.4 N-m
[35 +/- 3.5 LB-IN]



5.1 +/- 0.5 N-m
[45 +/- 4.5 LB-IN]

