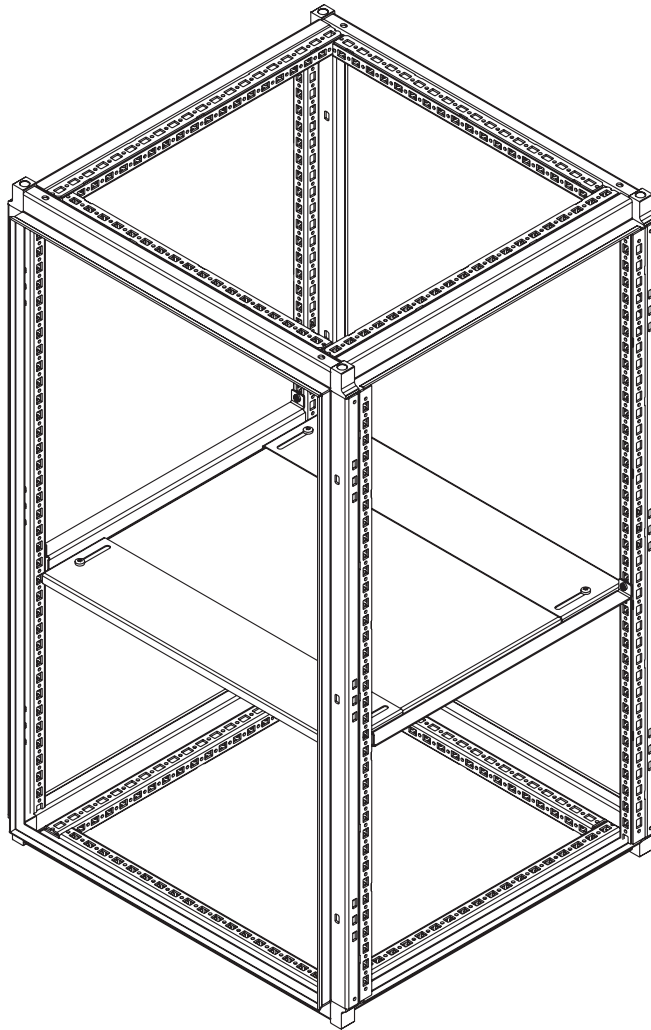
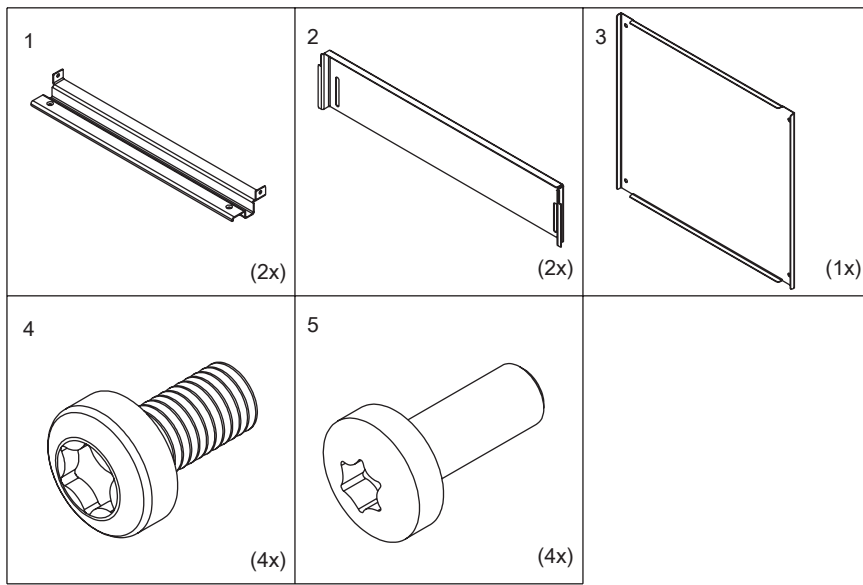
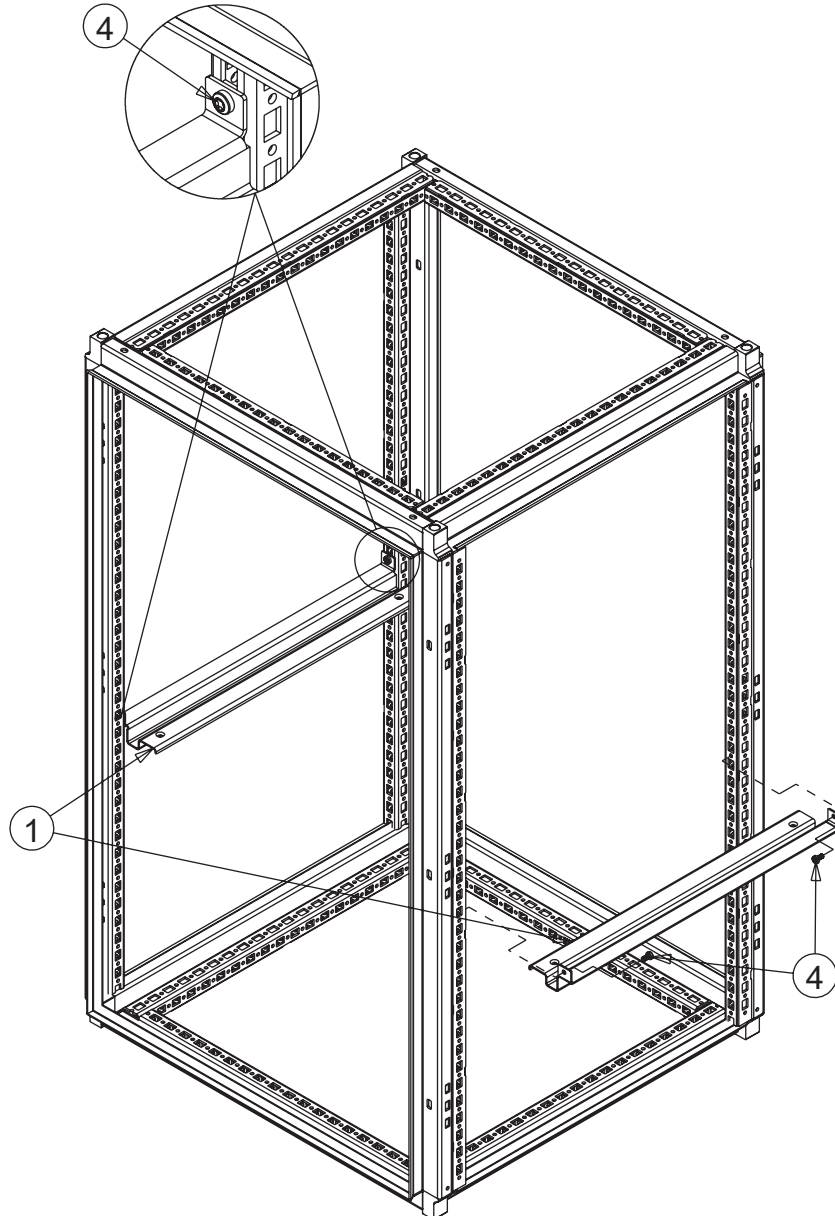


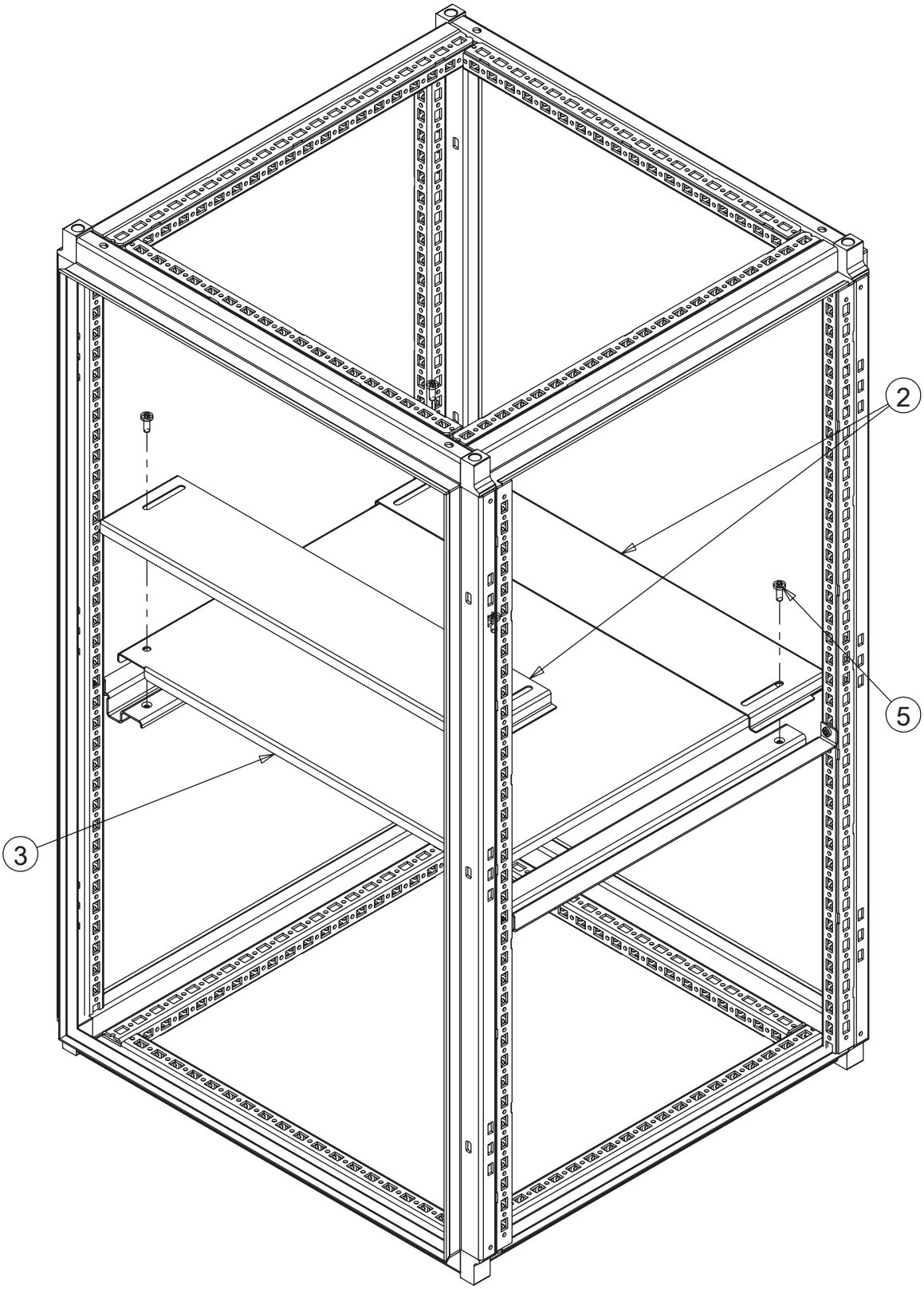
ProLine G2

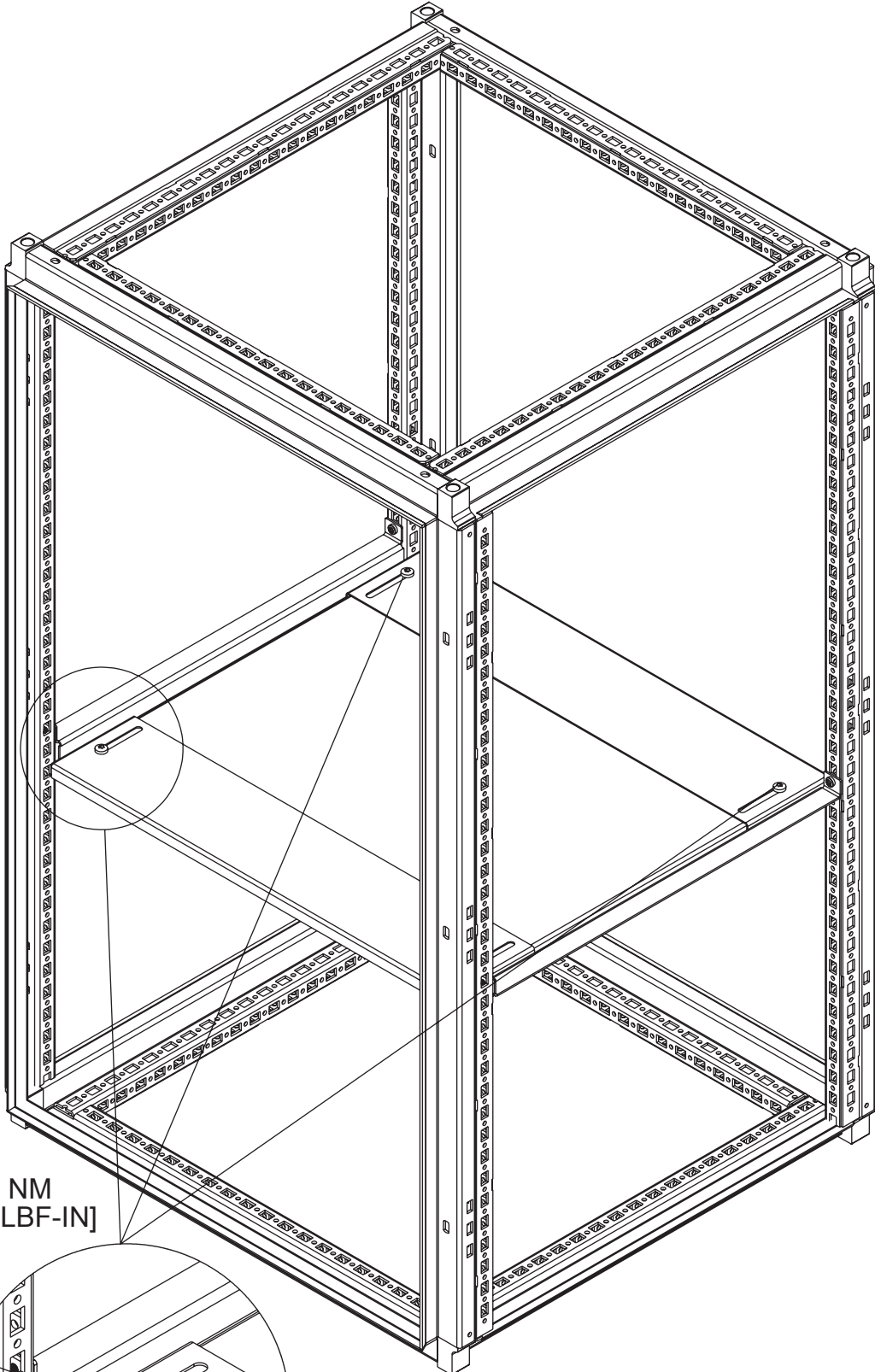




5.1 ± 0.5 NM
[45 ± 4.5 LBF-IN]







4.0 ± 0.4 NM
[35 ± 3.5 LBF-IN]

