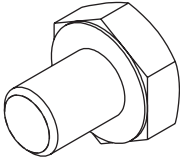

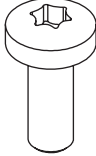
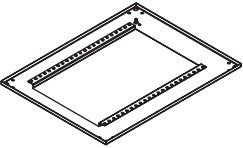
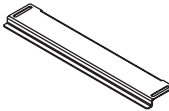
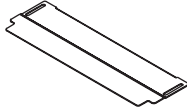
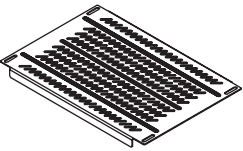
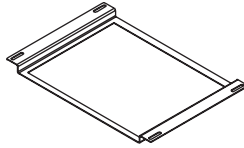
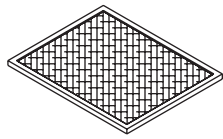


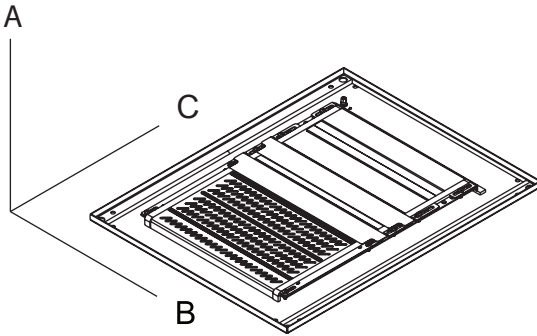


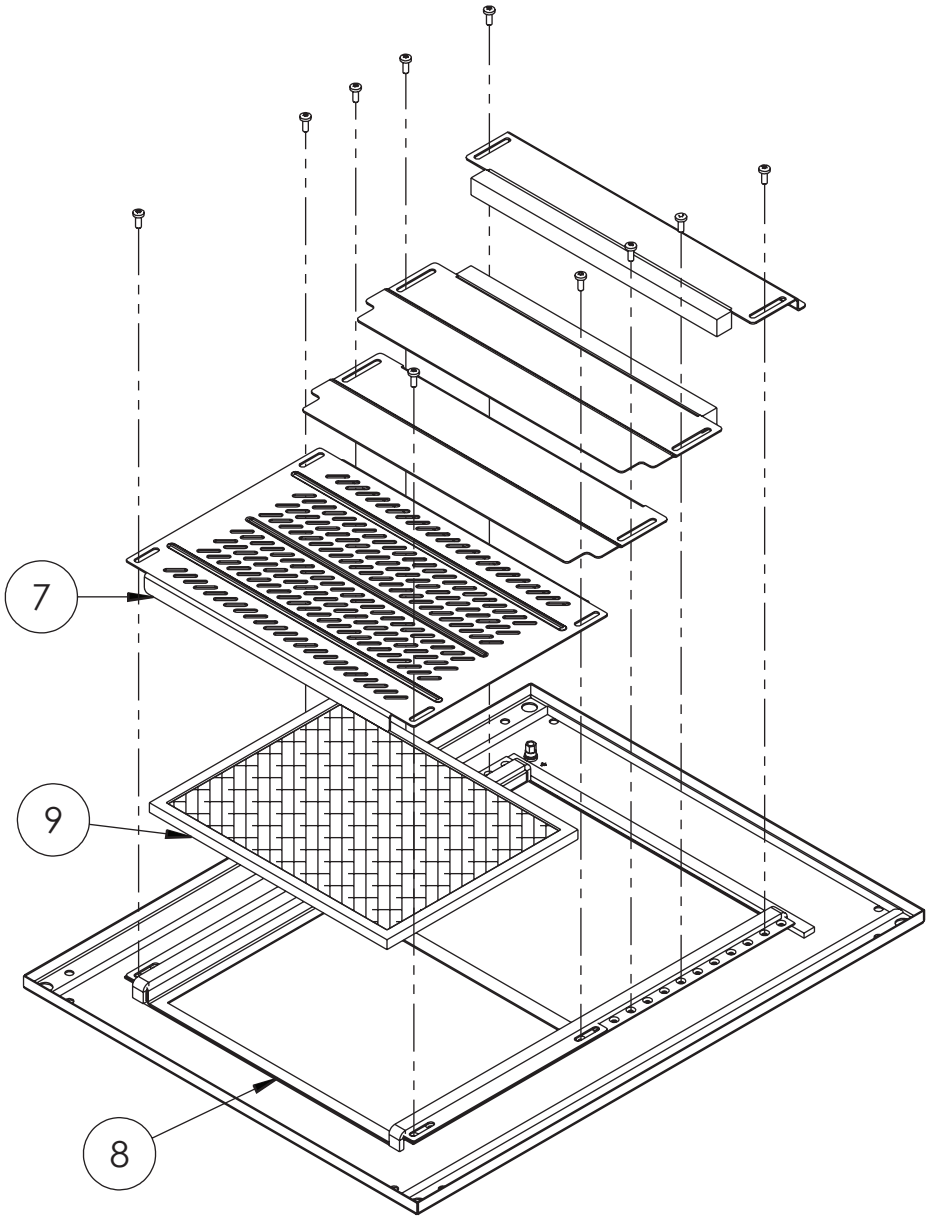
HOFFMAN

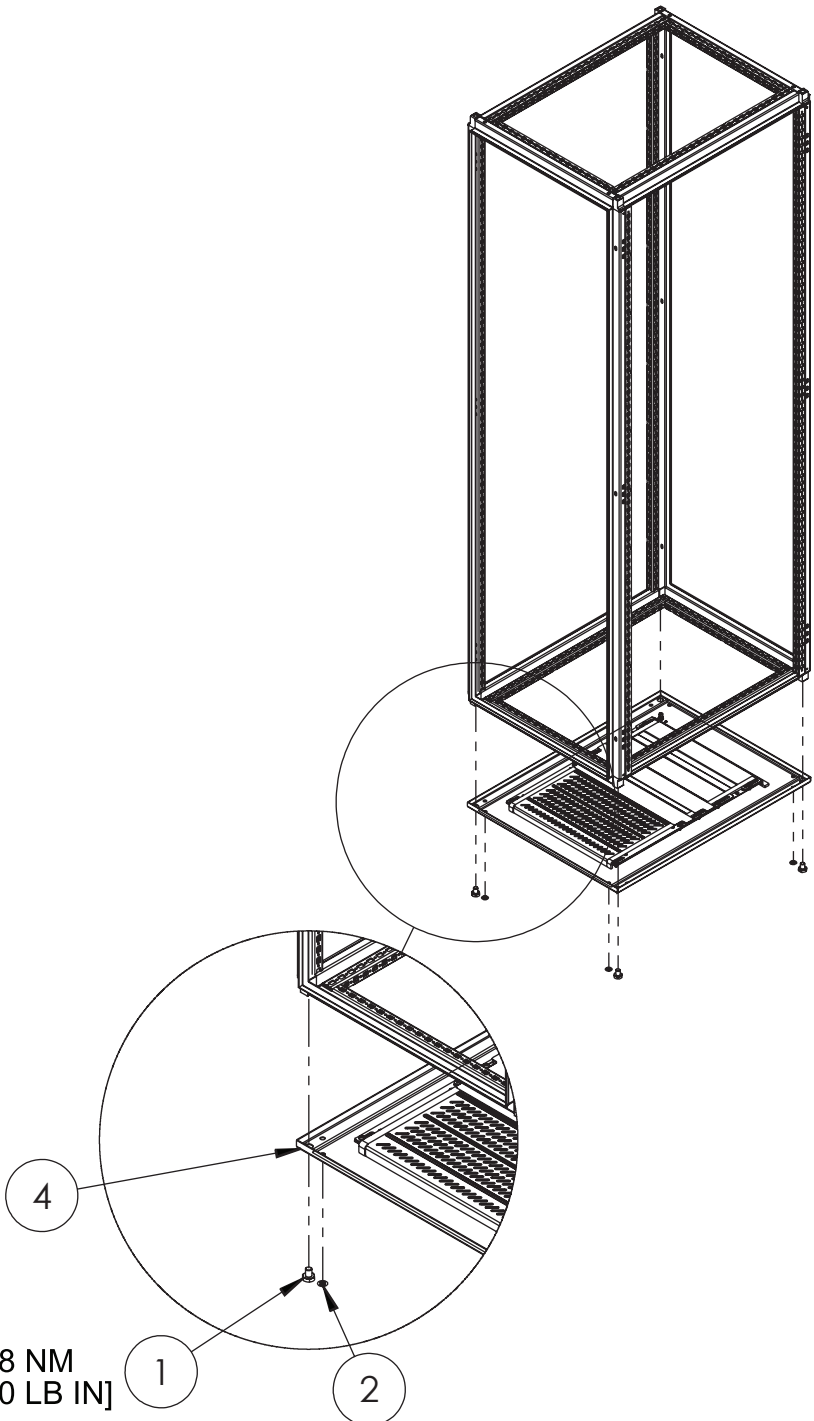
ProLine G2

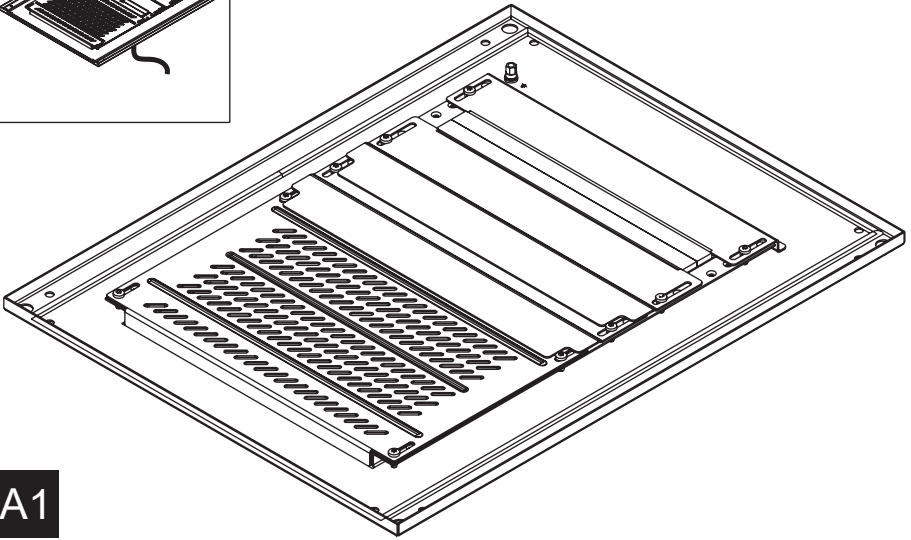
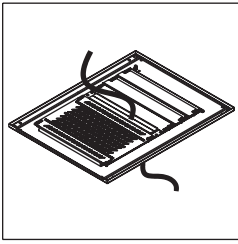


<p>1 M12X16</p>  <p>(4x)</p>	<p>2</p>  <p>(4x)</p>	<p>3 M6X16</p>  <p>C (mm) 500.....(6x) 600.....(8x) 800.....(10x)</p>
<p>4</p>  <p>(1x)</p>	<p>5</p>  <p>(1x)</p>	<p>6</p>  <p>C (mm) 500.....(0x) 600.....(1x) 800.....(2x)</p>
<p>7</p>  <p>(1x)</p>	<p>8</p>  <p>(1x)</p>	<p>9</p>  <p>(1x)</p>

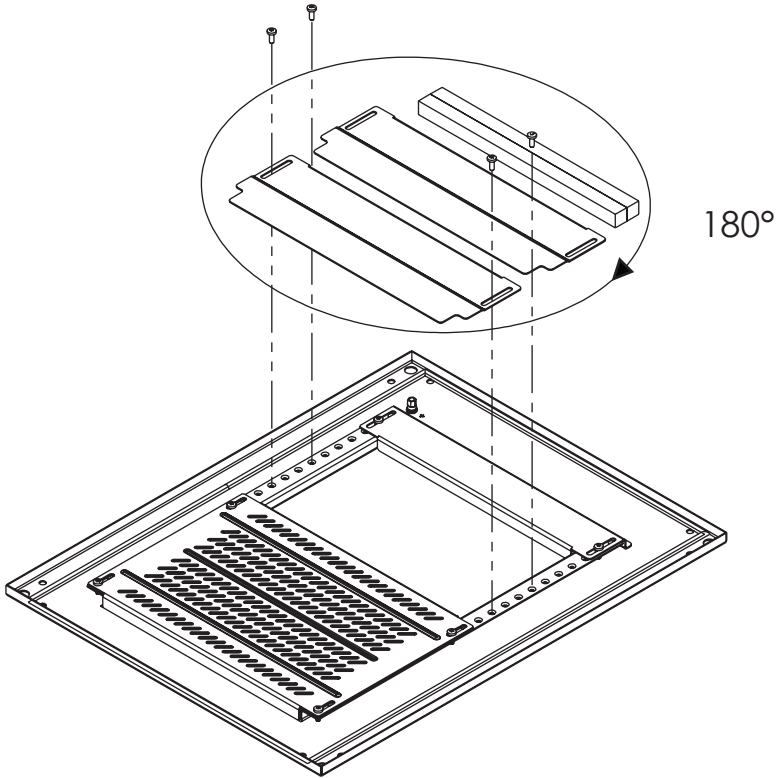




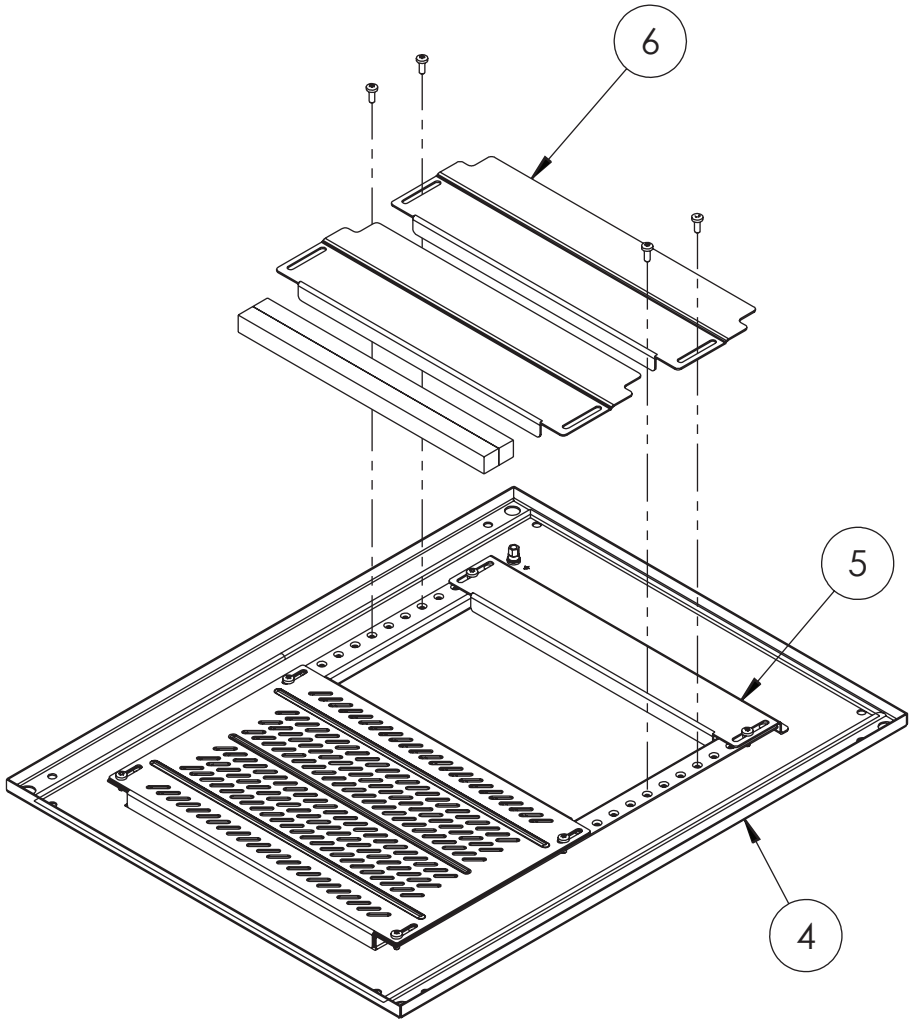


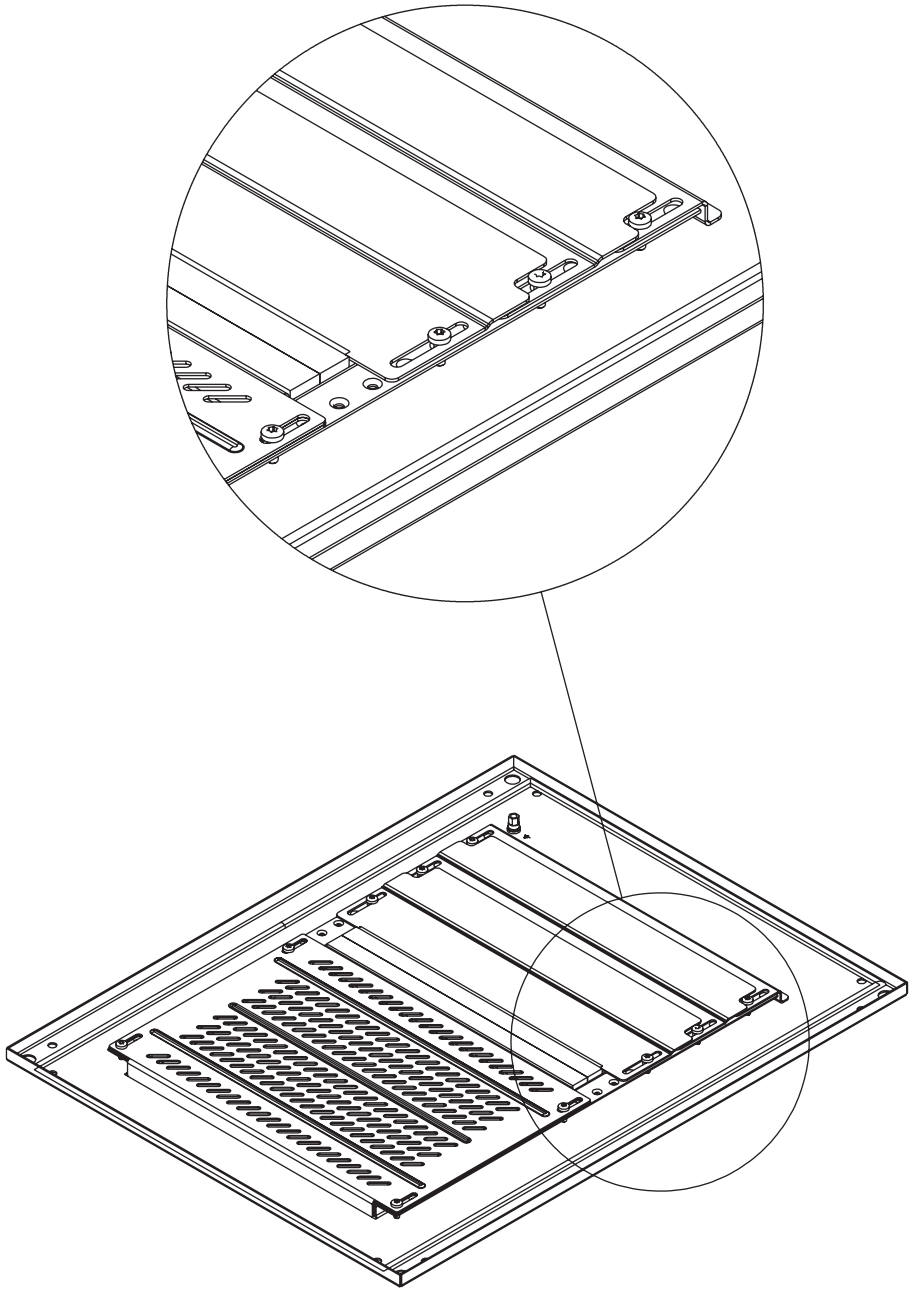


A1

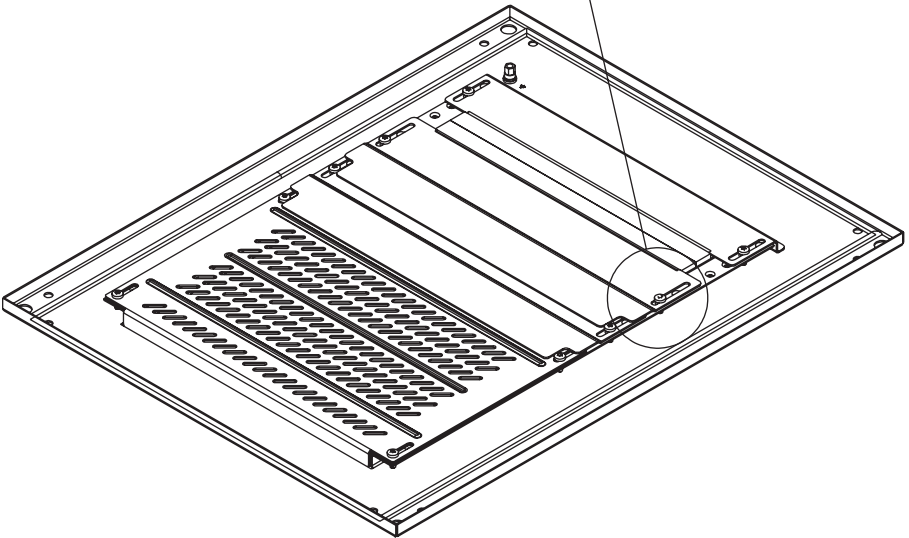
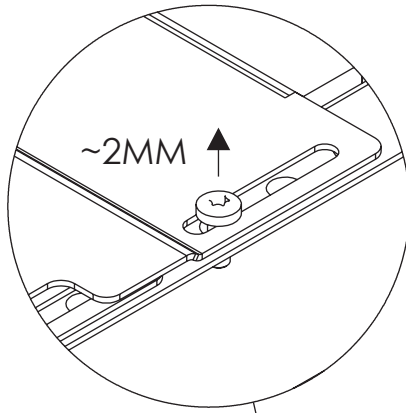
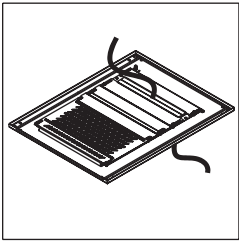


A2

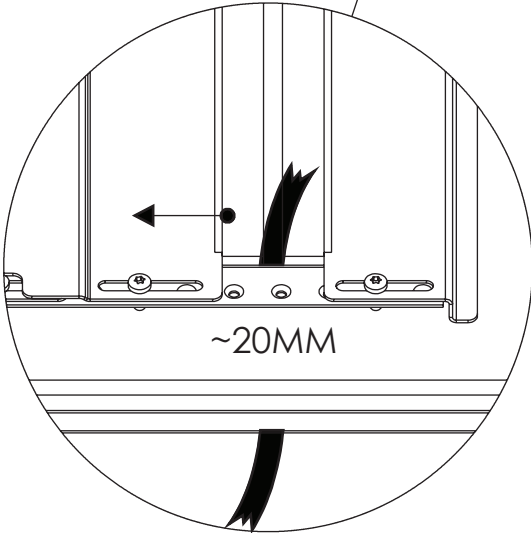
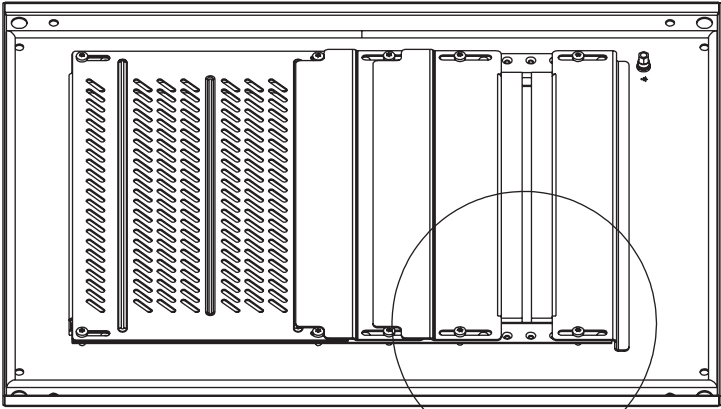




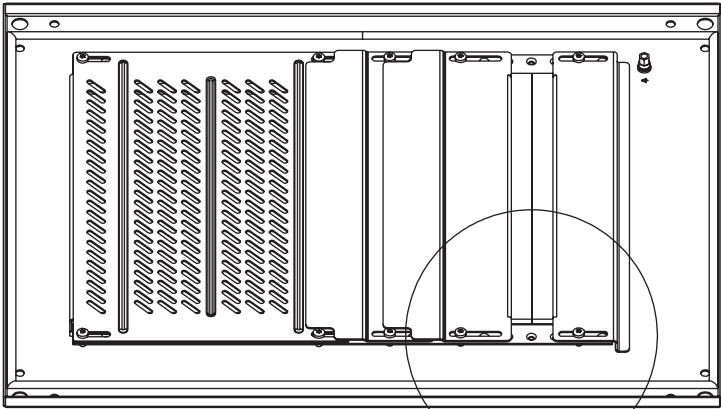
A4



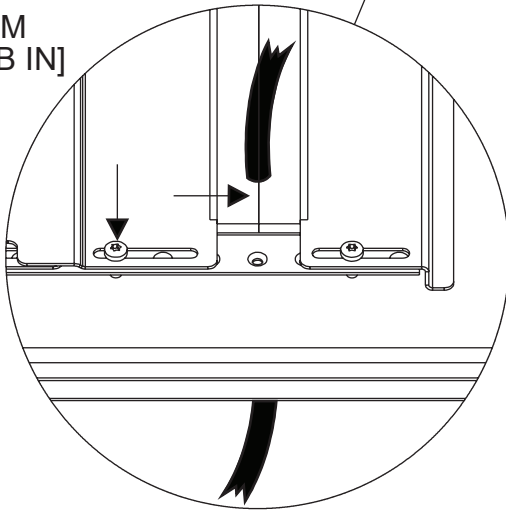
B1

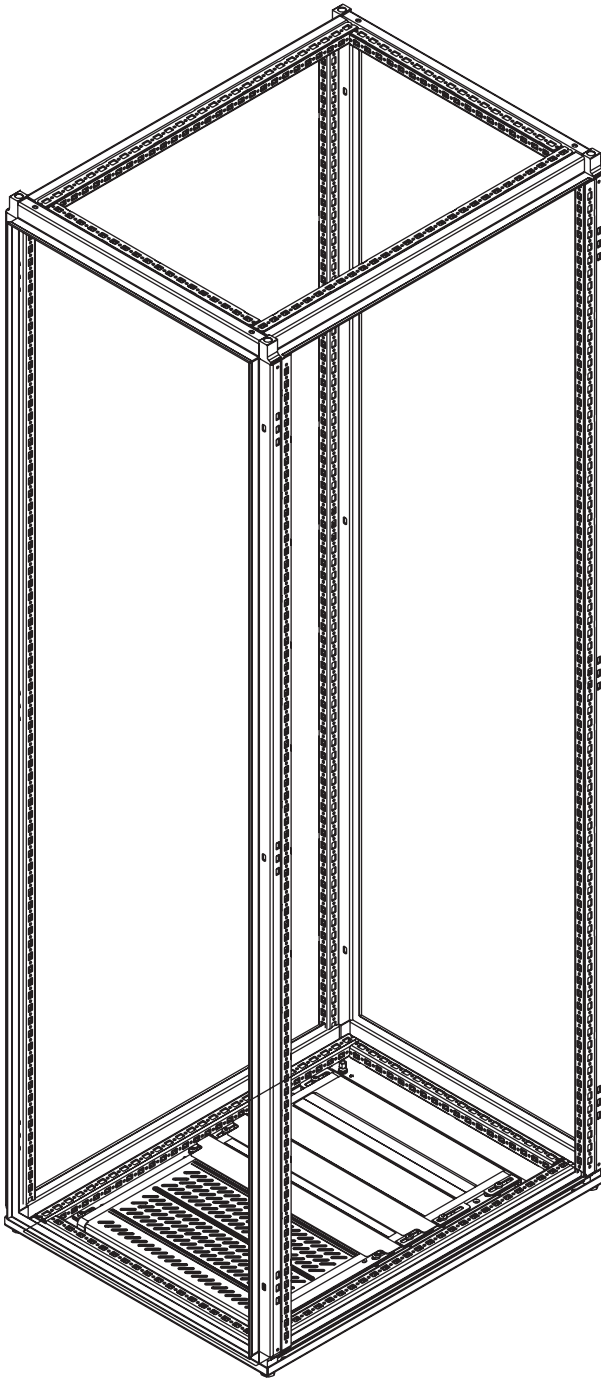


B2



4.0 NM
[35 LB IN]





B4

