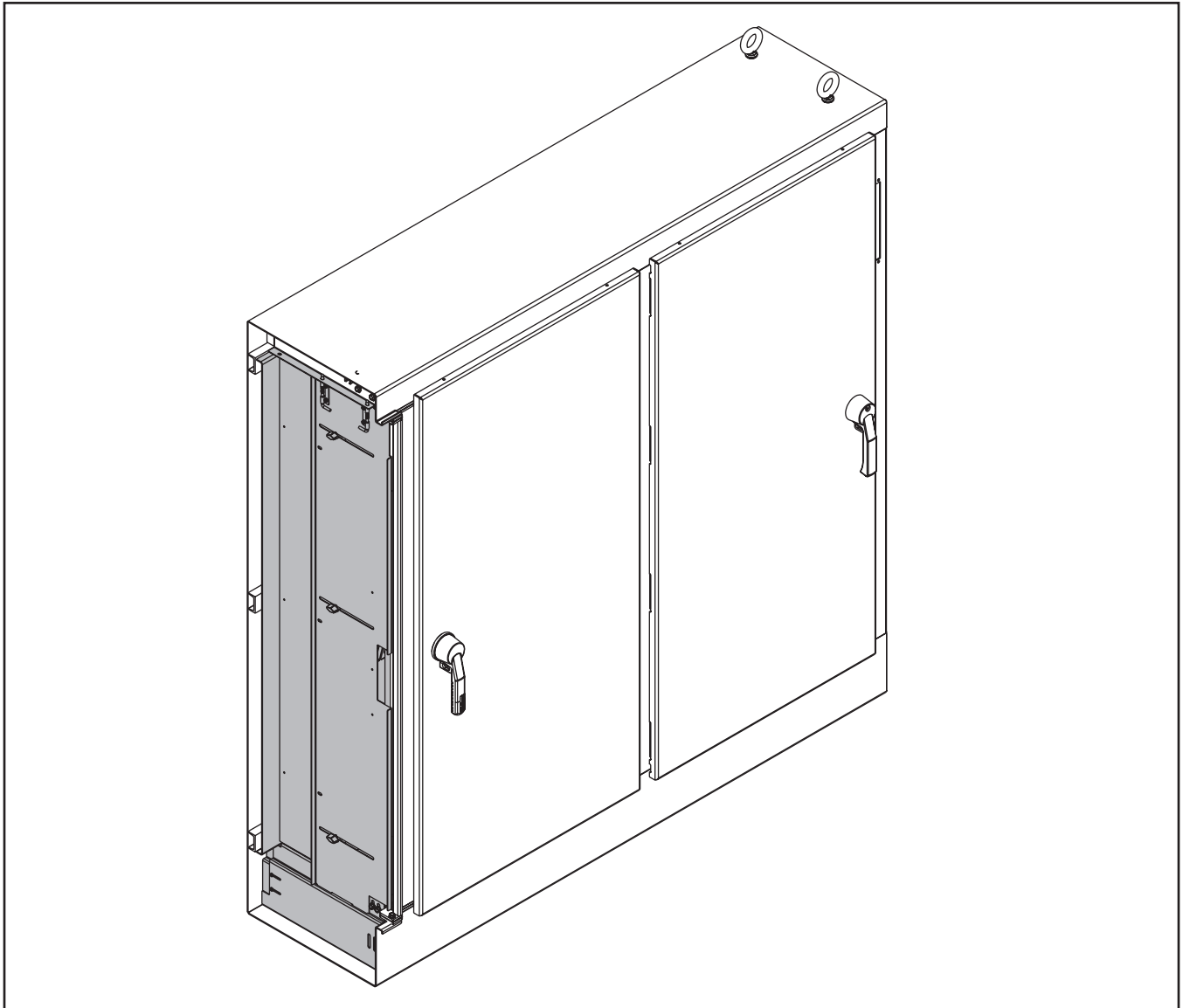
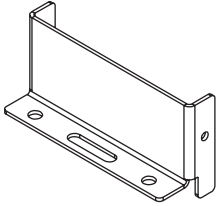
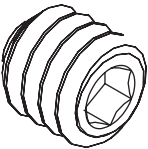
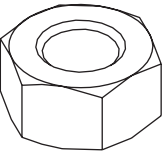
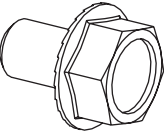
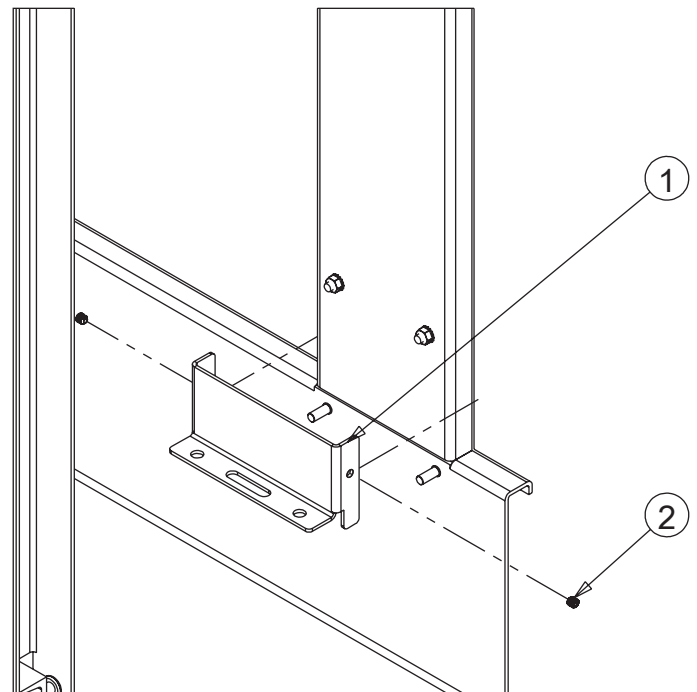
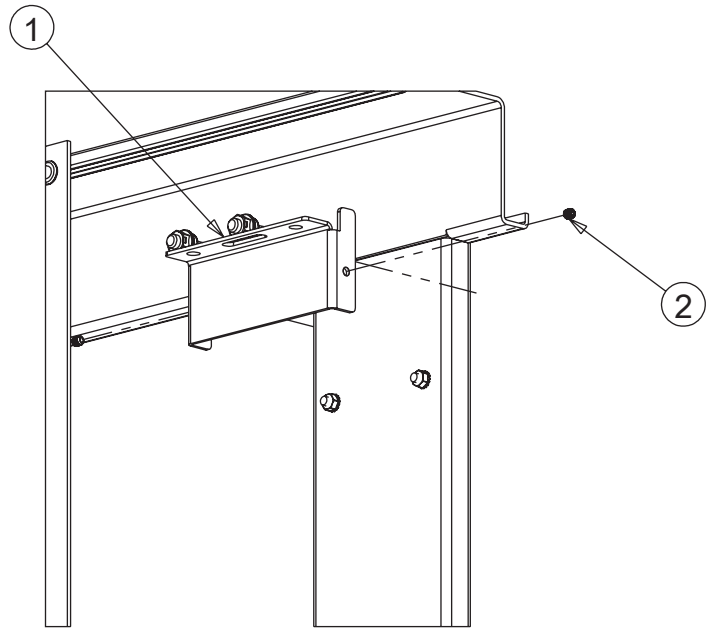


# Barrier Panel

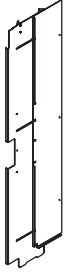
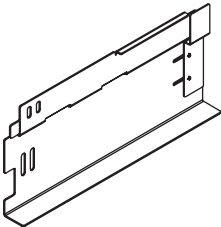
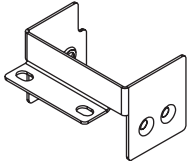
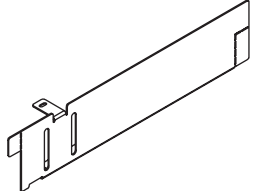
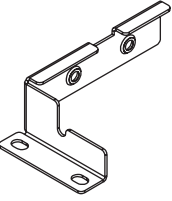
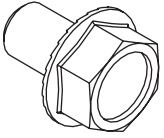
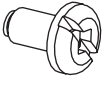
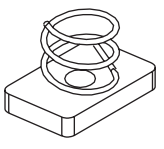


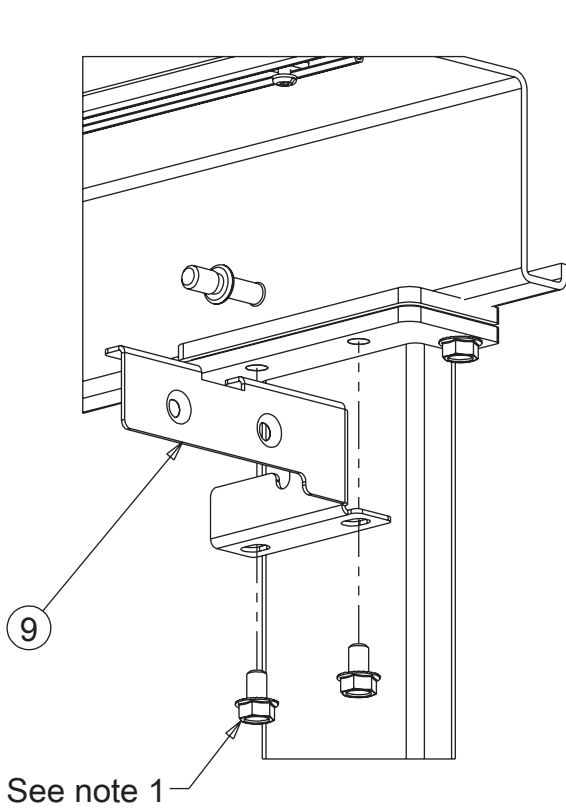
# Welded Centerpost Enclosures

 <p>(2x)</p>	2 1/4-20 X 1/4  <p>(4x)</p>
3 5/16-24  <p>(4x)</p>	4 5/16-24 X 1/2  <p>(4x)</p>



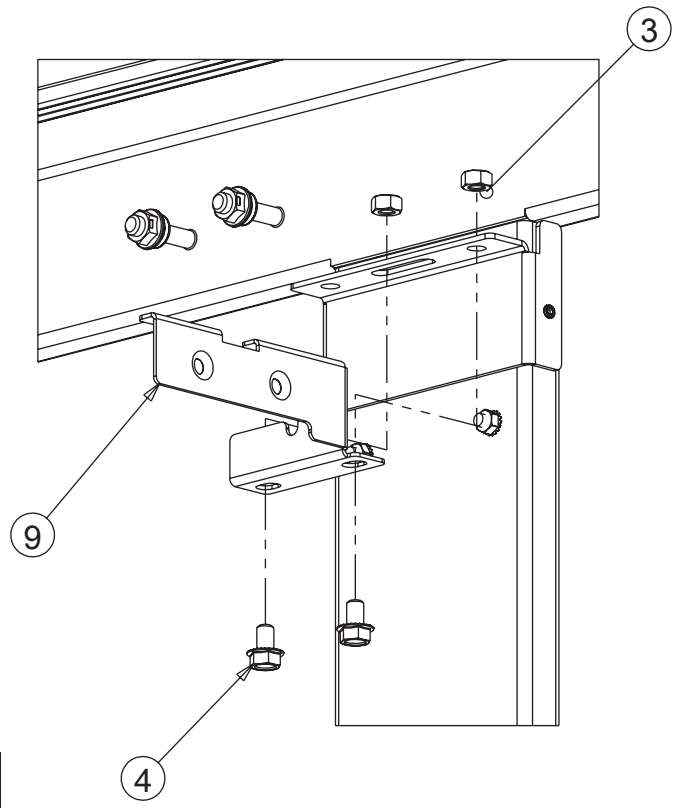
# All Enclosures

<p>5</p>  <p>(1x)</p>	<p>6</p>  <p>(1x)</p>	<p>7</p>  <p>(1x)</p>	<p>8</p>  <p>(1x)</p>
<p>9</p>  <p>(1x)</p>	<p>10</p> <p>5/16-24 X 1/2</p>  <p>(4x)</p>	<p>11</p> <p>10/32 X .250</p>  <p>(1x)</p>	<p>12</p>  <p>(1x)</p>



**Removable Centerpost**

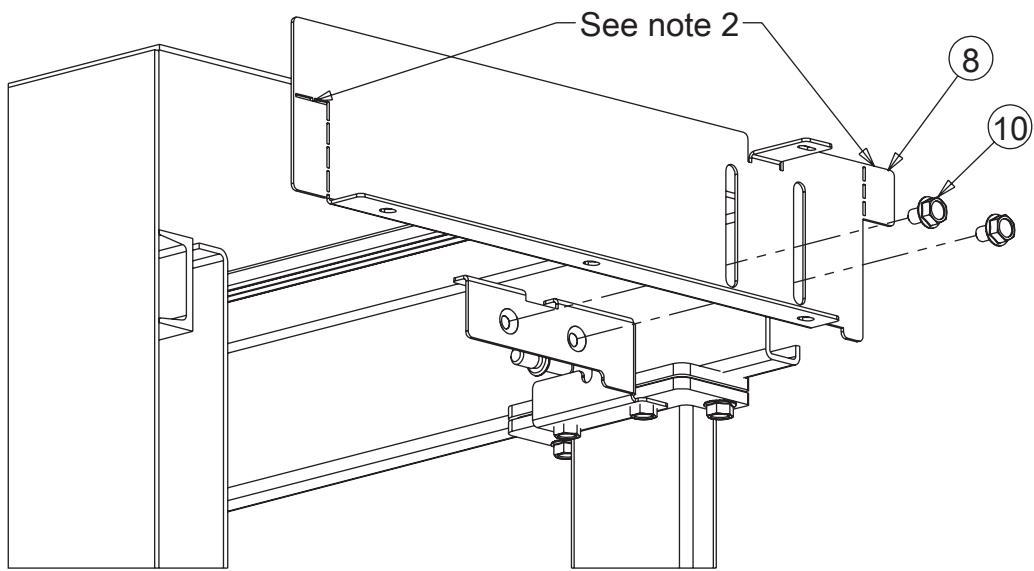
**1**



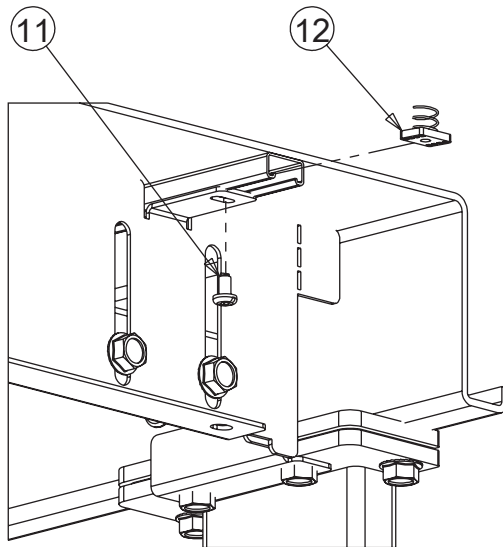
**Welded Centerpost**

**Notes:**

1. Use the screws currently assemble on the centerpost for the installation.



2

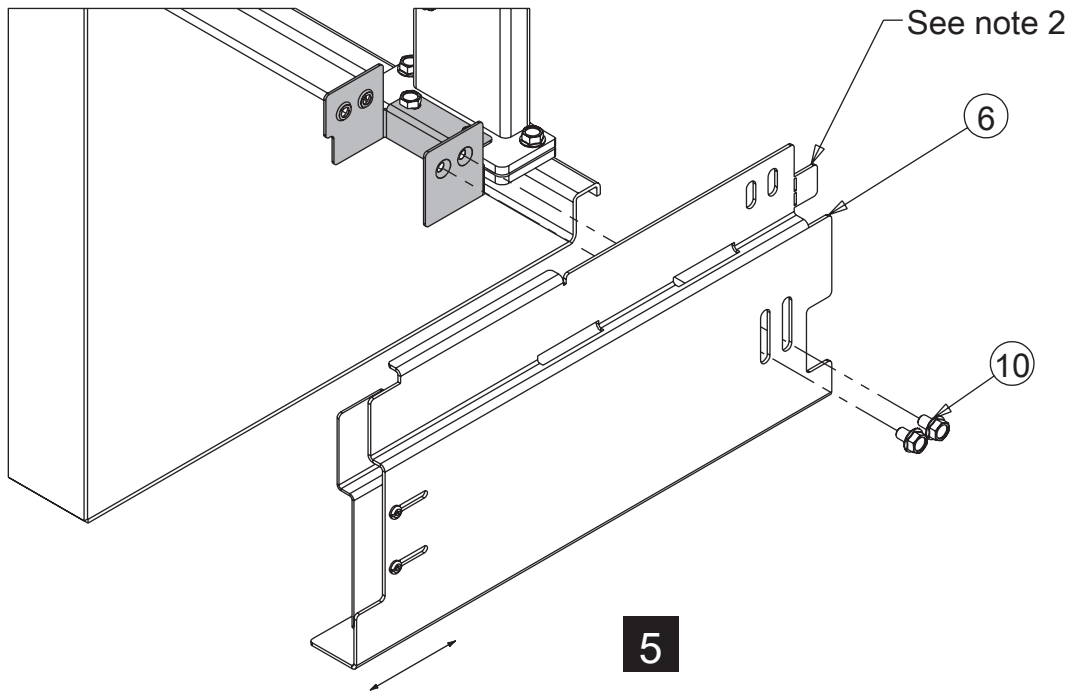
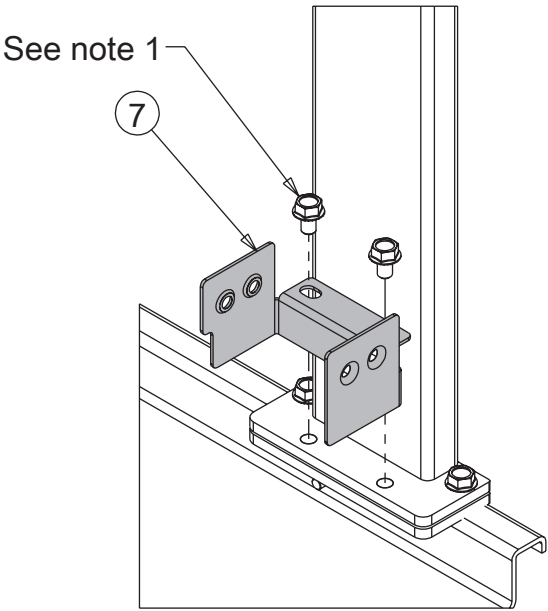


3

Notes:

2. Remove precuts if necessary to avoid interference.

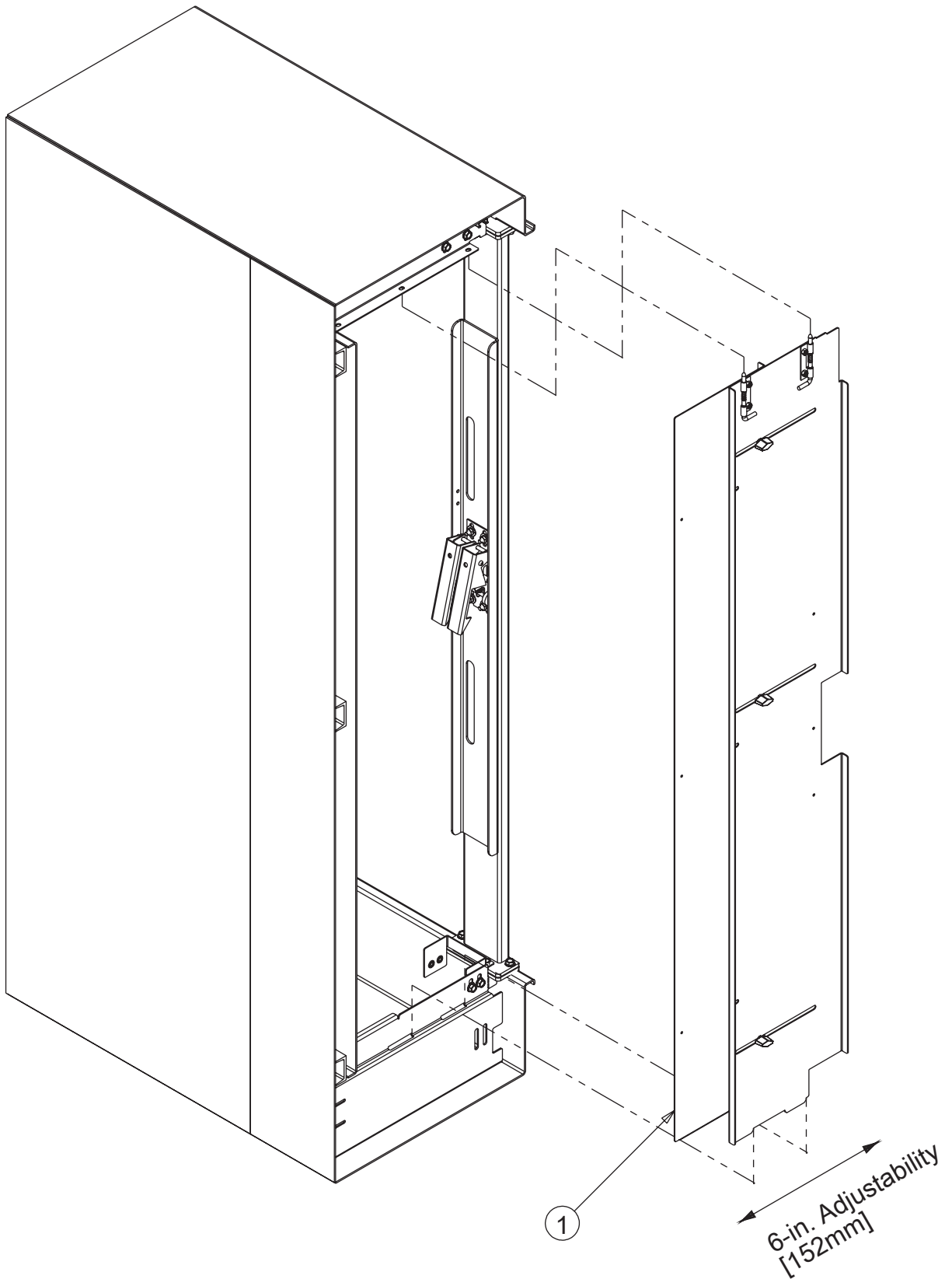
# Floor-Mount Enclosures (Removable Centerpost)



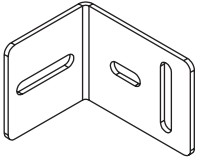
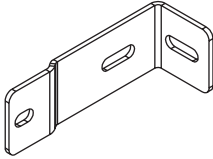
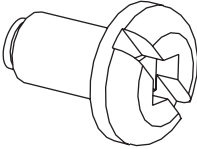
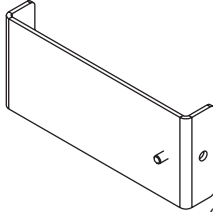

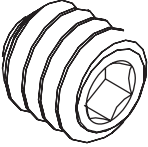
**Notes:**

- 1. Use the screws currently assemble on the centerpost for the installation.
- 2. Remove precuts if necessary to avoid interference.

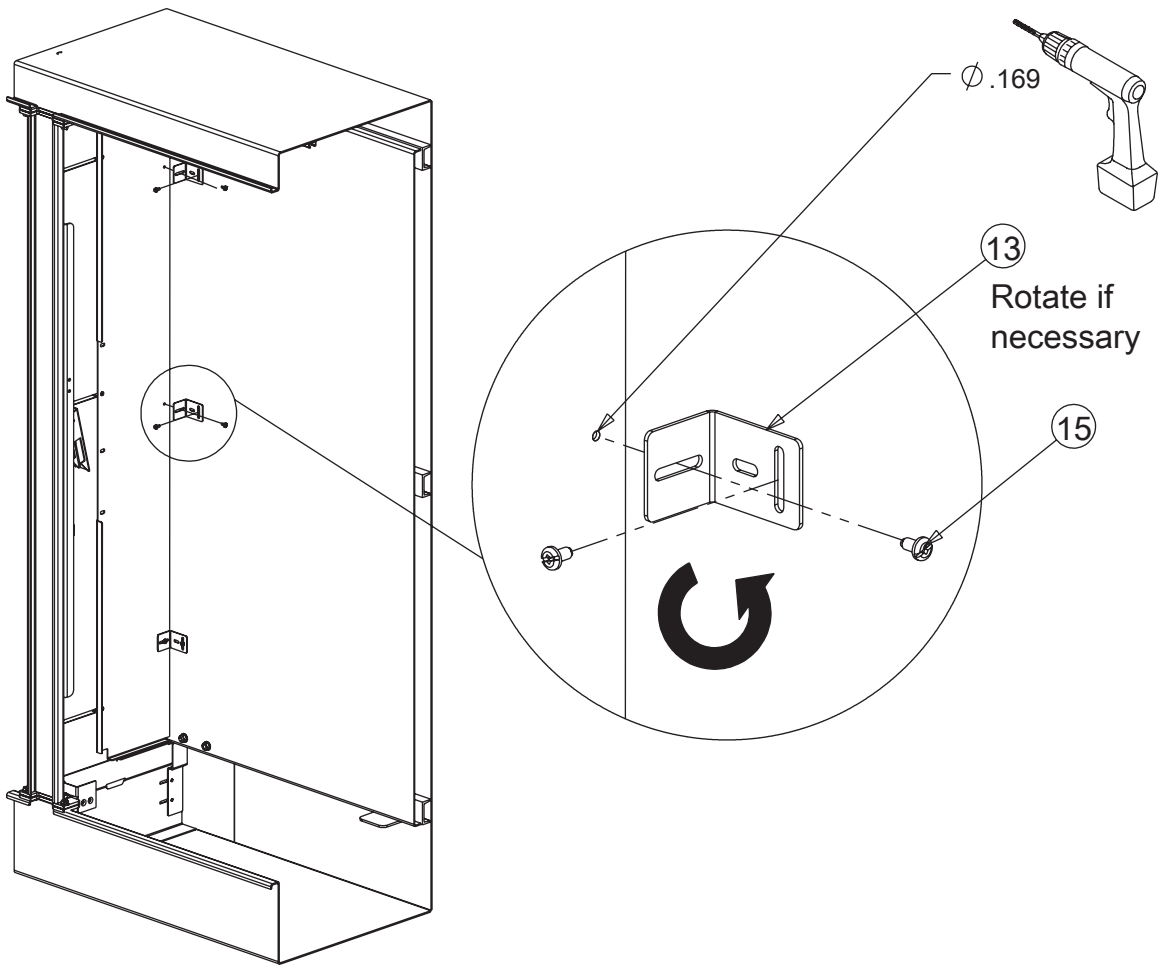




6

<p>13</p>  <p>(3x)</p>	<p>14</p>  <p>(2x)</p>	<p>15</p> <p>10-32 X .250</p>  <p>(8x)</p>
<p>16</p>  <p>(1x)</p>	<p>17</p> <p>1/4-20</p>  <p>(1x)</p>	<p>18</p> <p>1/4-20 X 1/4</p>  <p>(2x)</p>

### Full Back Panel

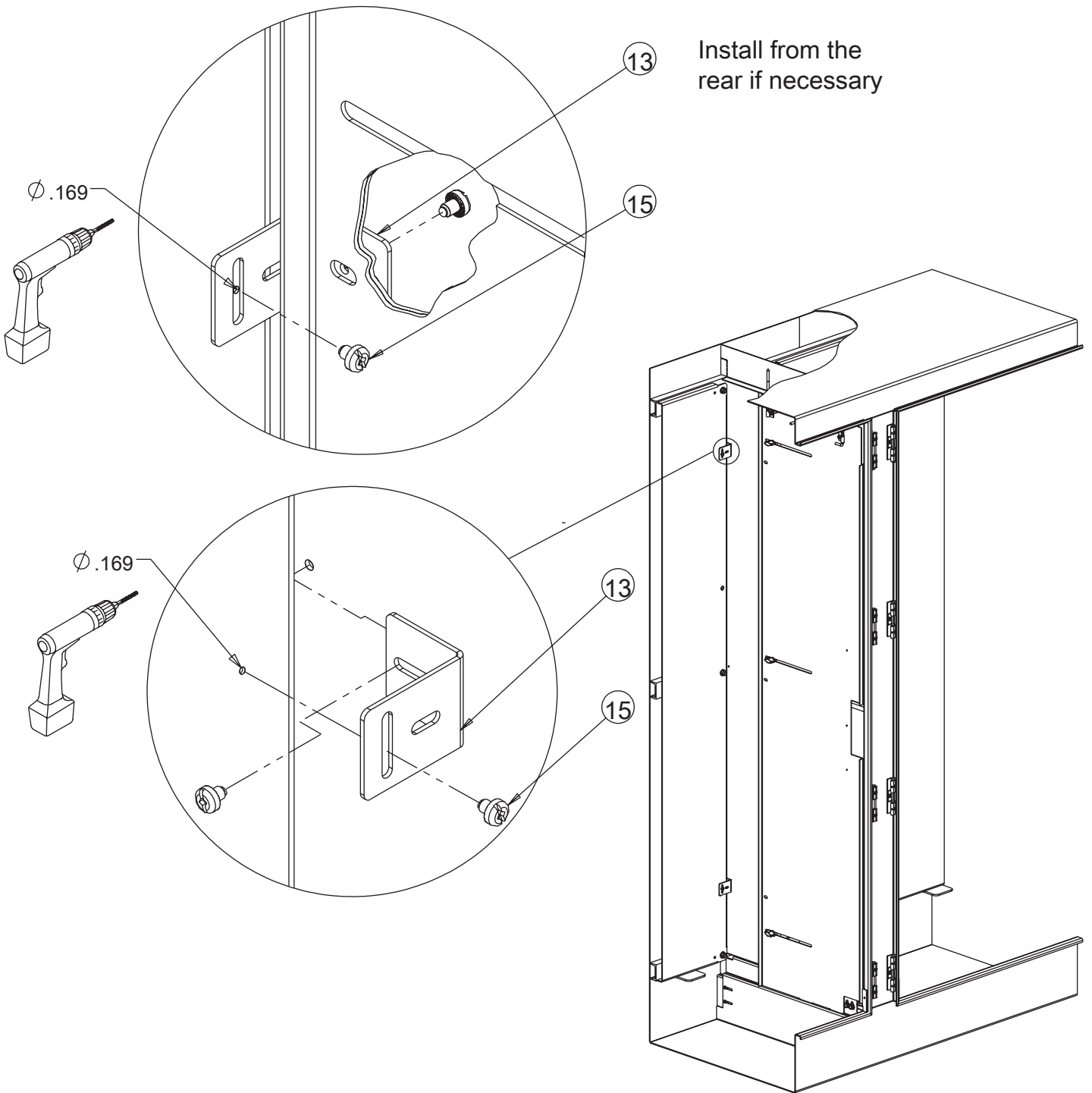


7



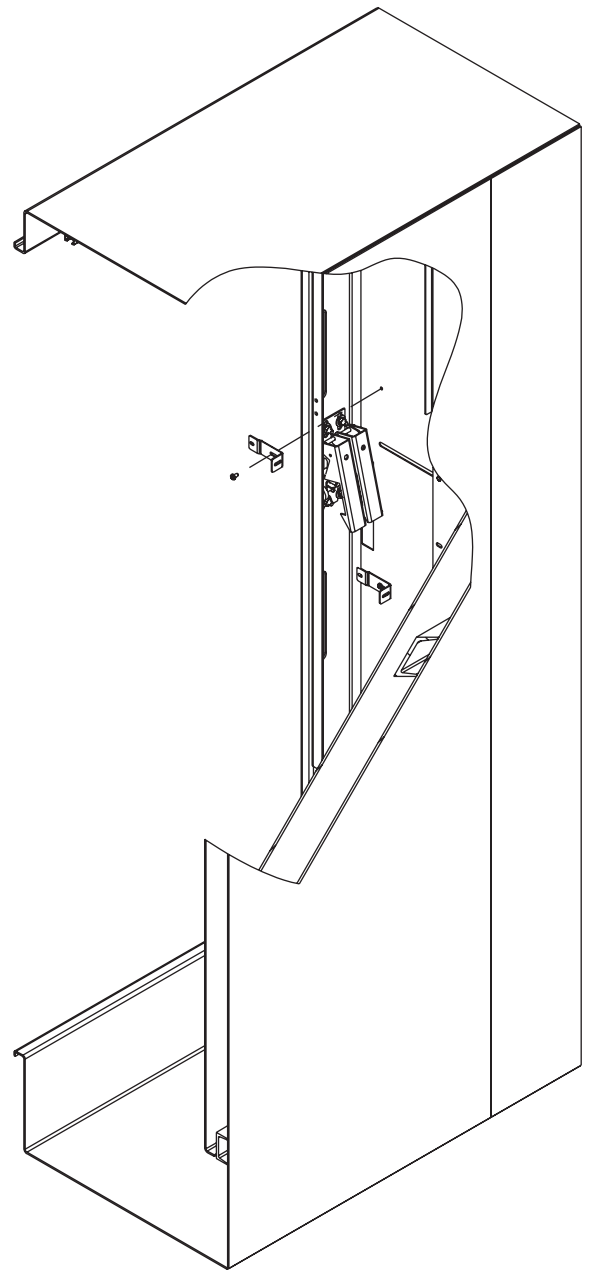
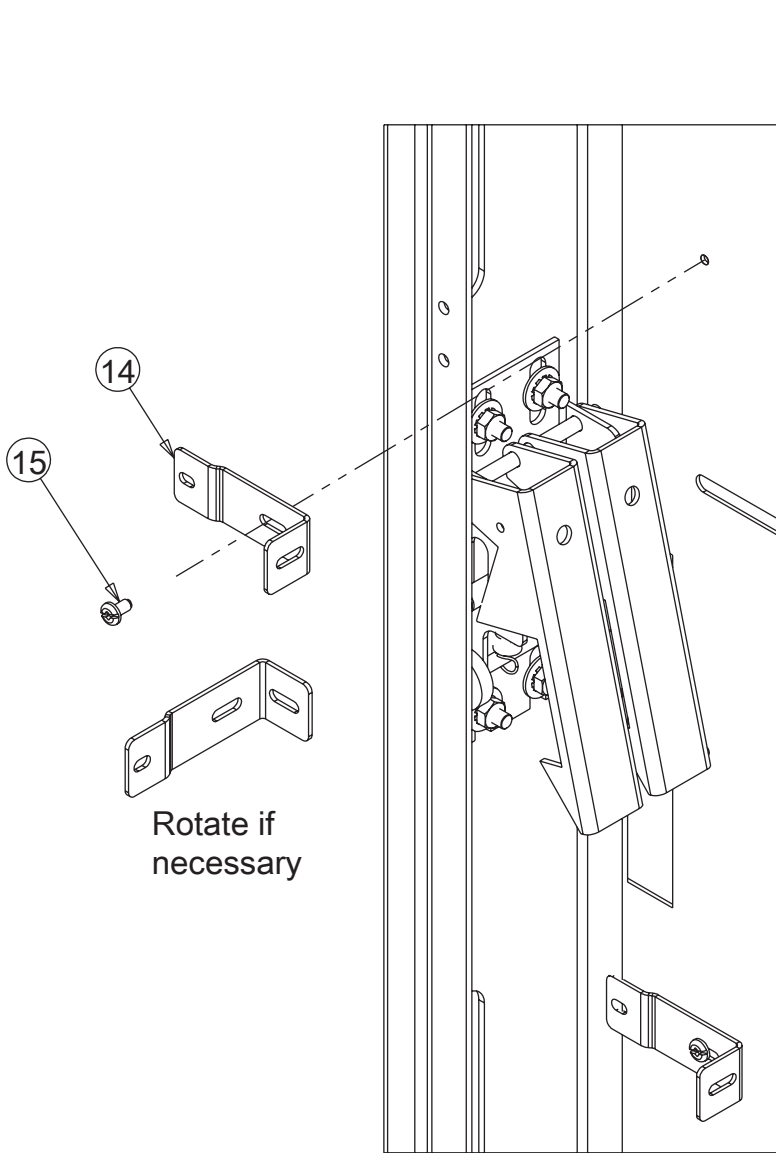
# Divided Back Panel

Install from the rear if necessary



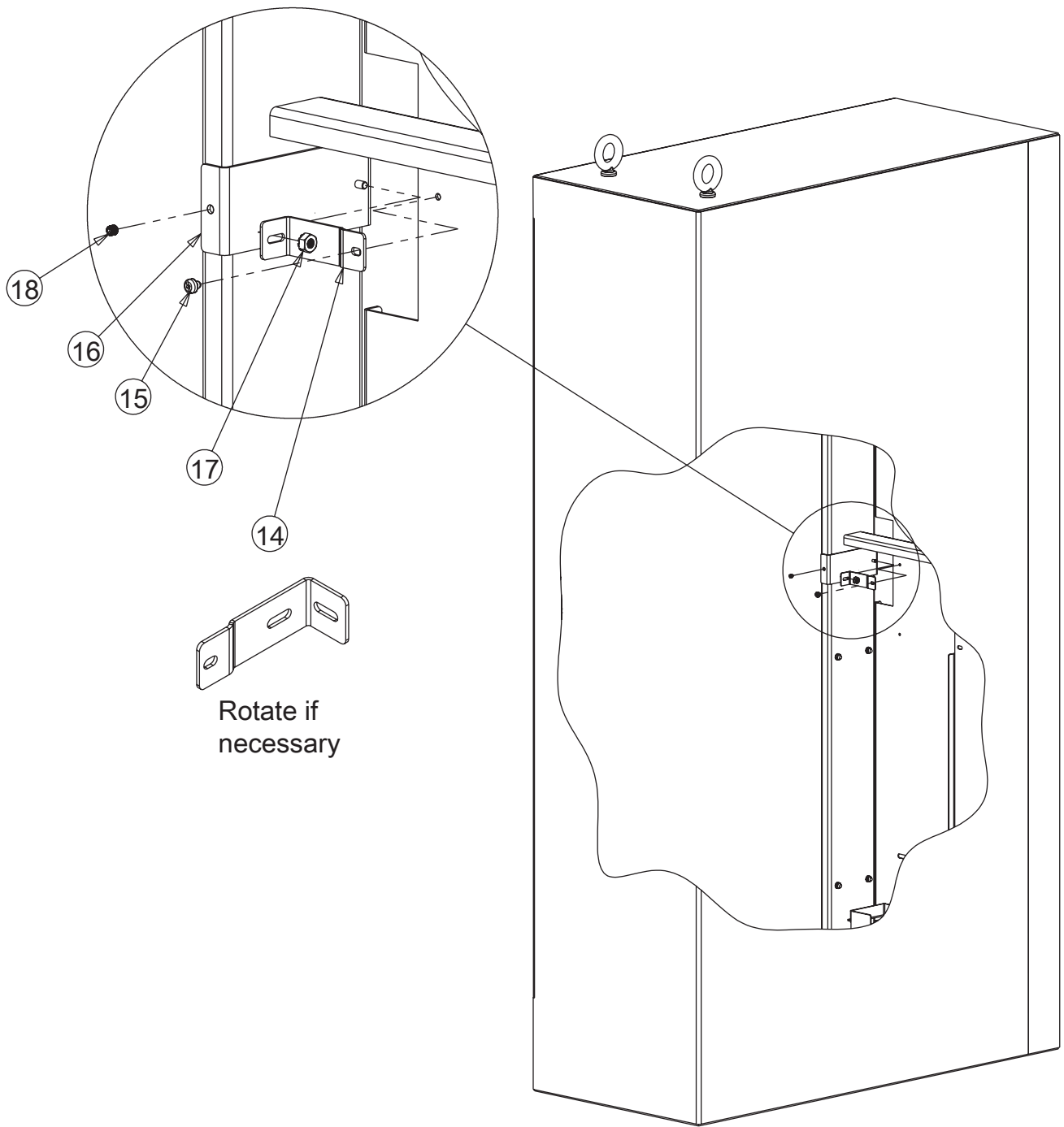
7

# Removable Centerpost Enclosures



8

# Welded Centerpost Enclosures



8

