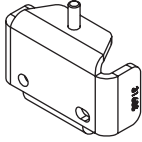


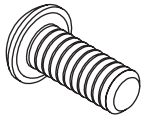
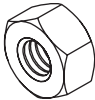


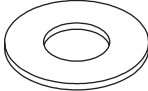

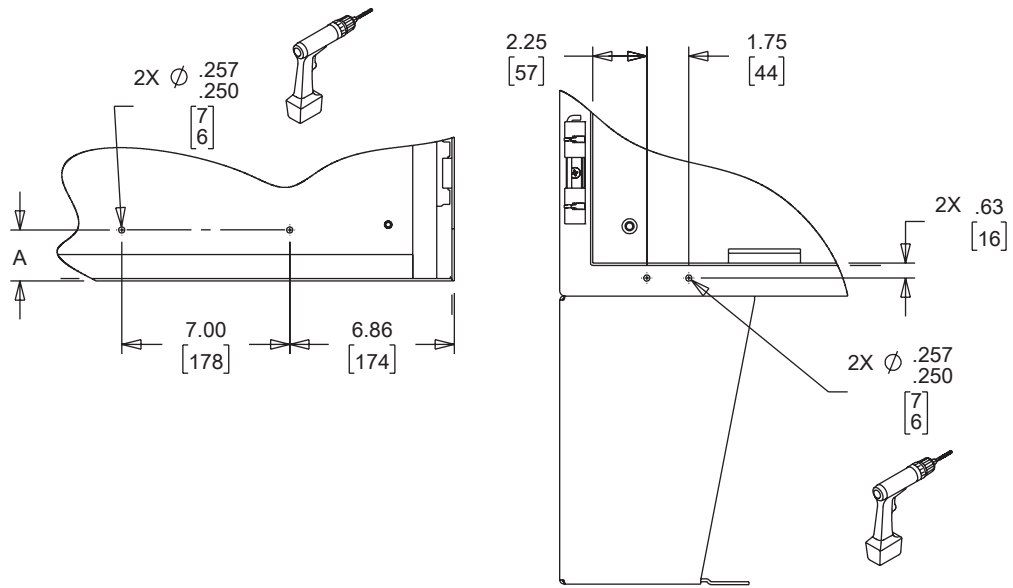


Door Stop Kit

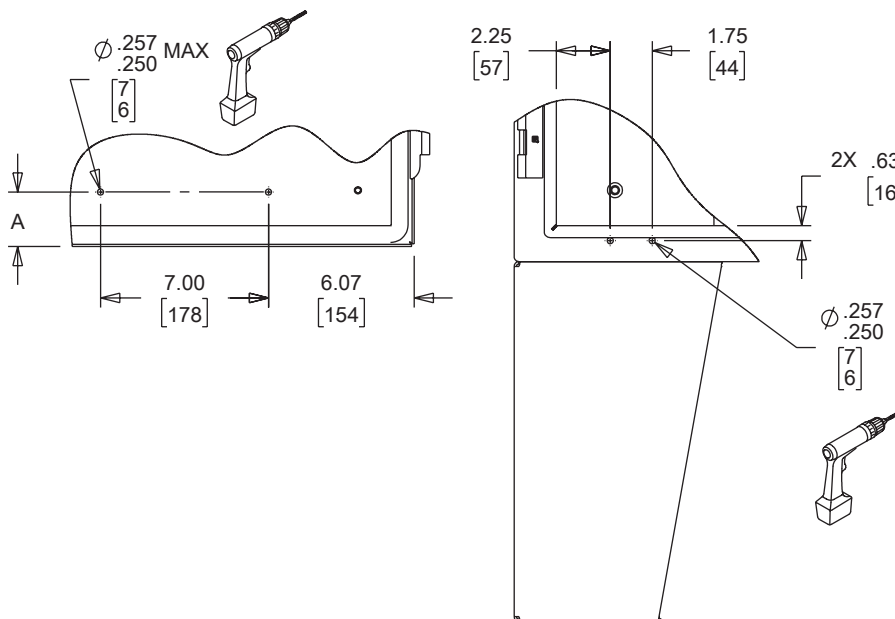


<p>1</p>  <p>(1x)</p>	<p>2</p> <p>1/4-20 NYLOCK</p>  <p>(1x)</p>
<p>3</p>  <p>(1x)</p>	<p>4</p> <p>1/4-20 x .62</p>  <p>(4x)</p>
<p>5</p> <p>1/4-20</p>  <p>Torque - 60 LBF-IN (4x)</p>	<p>6</p>  <p>(5x)</p>
<p>7</p>  <p>(1x)</p>	<p>8</p>  <p>(1x)</p>
<p>9</p>  <p>(1x)</p>	

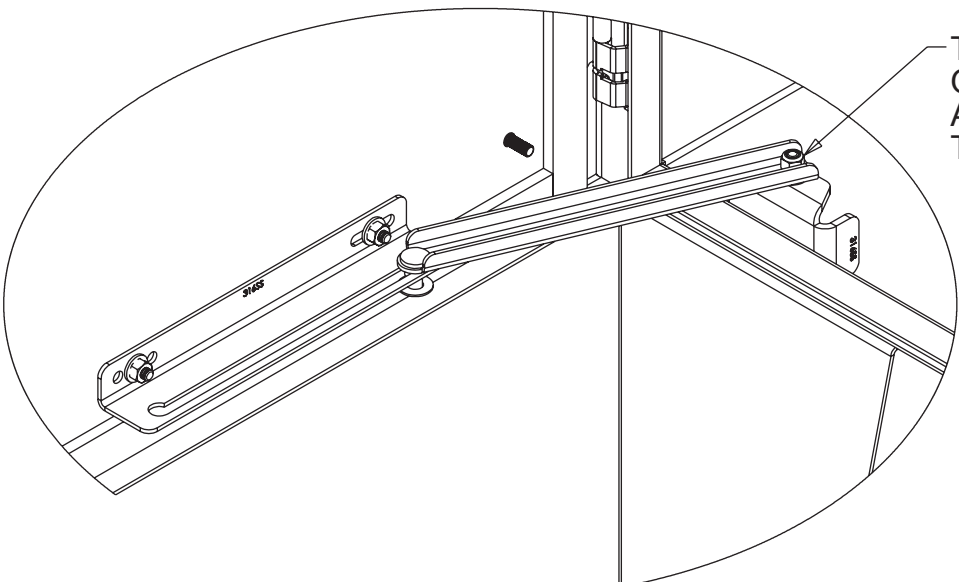
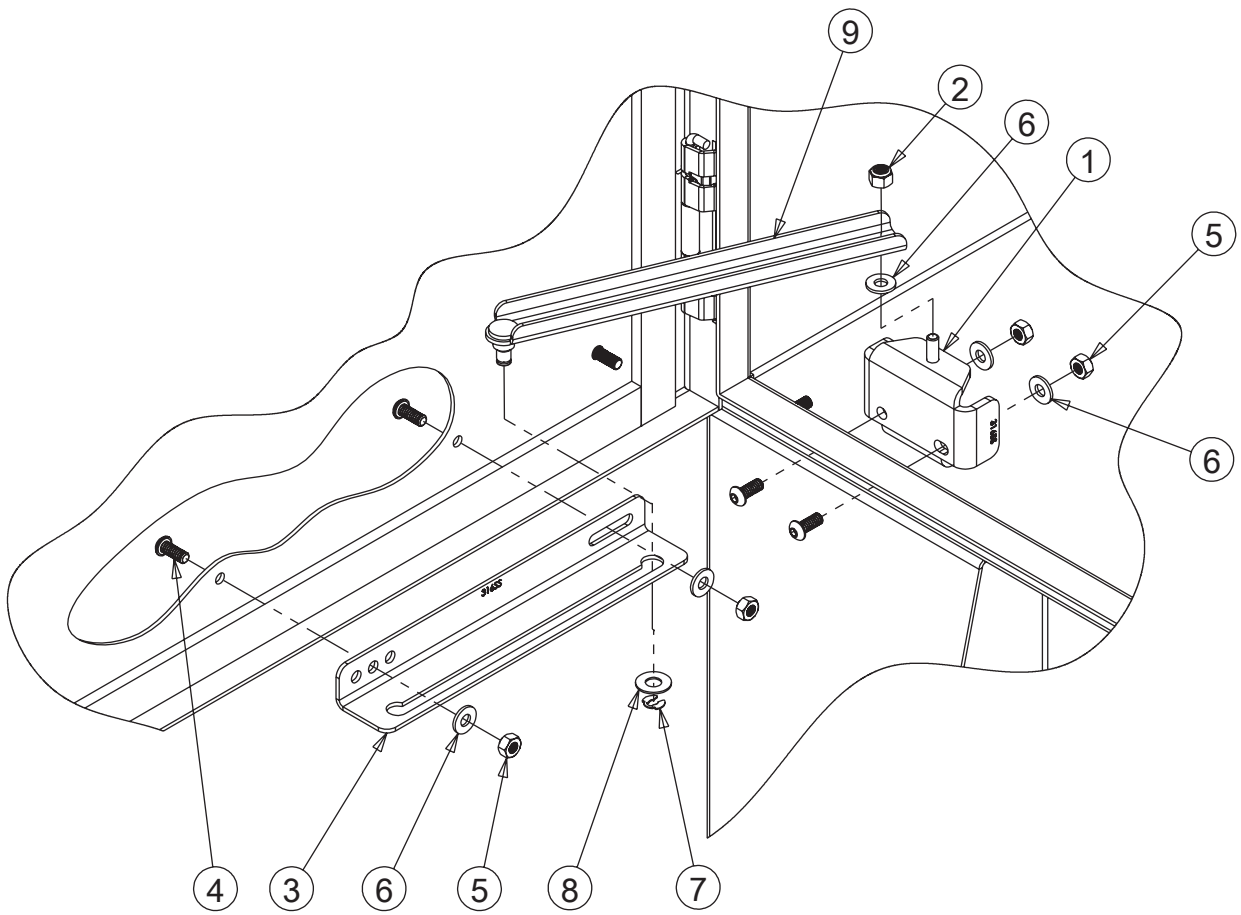


### LIFT OFF HINGE

HOLE LOCATION TABLE	
A	BULLETIN
1.88	A4L3, A30S, A21
2.22	A4L, A4SL, A4L3D, A4S3, A12L, A12S, A21S4, A27, A28, A28S4, A30, A30S4, A34,



### CONTINUOUS HINGE



TIGHTEN TO APPROXIMATELY  
ONE THREAD EXPOSED;  
ARM MUST BE FREE  
TO MOVE UP AND DOWN