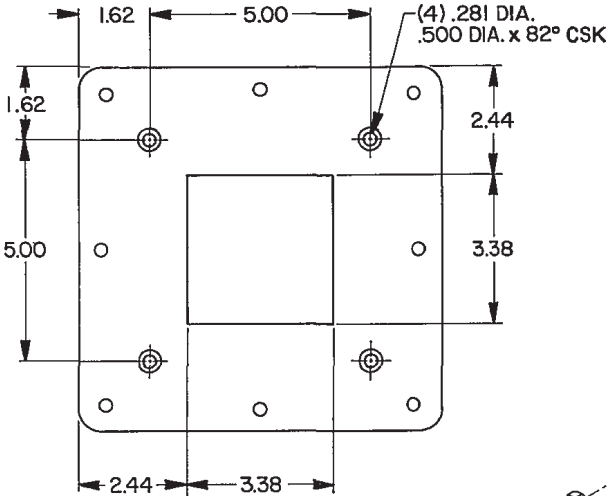
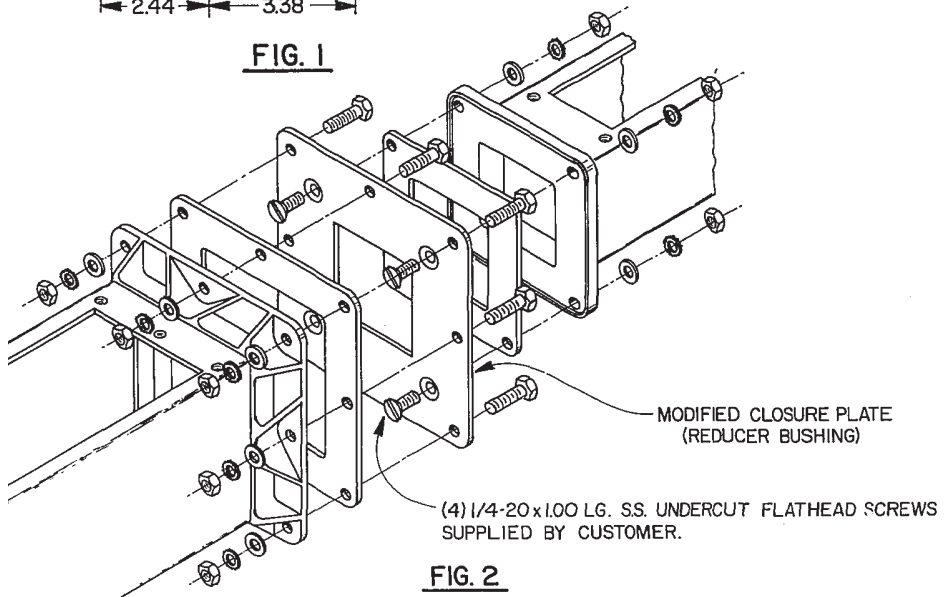


## Converting Closure Plate To Reducer

1. Modify closure plate by adding center cutout and four countersunk holes as shown in Fig. 1.
2. Connect reducer and 4x4 gasket to 4x4 wireway flange as shown in Fig. 2.
3. Connect 6x6 wireway flange and 6x6 gasket to reducer as shown in Fig. 2.



**FIG. 1**



**FIG. 2**