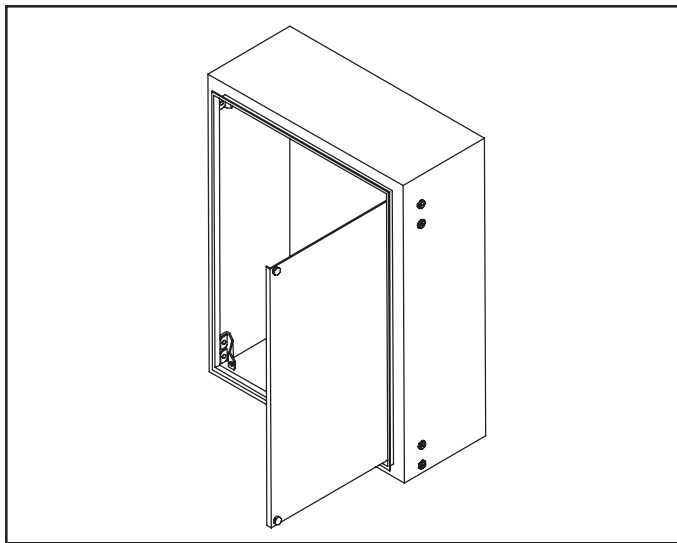


NEMA Swing-Out Panel Kit


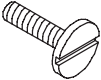

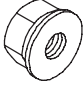
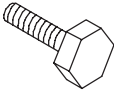


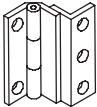
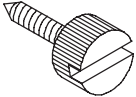





WARNING



To avoid electric shock and equipment damage, disconnect any power supplies to the enclosure before drilling mounting holes. Do not energize any circuits before all internal and external electrical and mechanical clearances are checked to assure that all assembled equipment functions safely and properly.

<p>1</p>  <p>Order Separately</p> <p>(1x)</p>	<p>2</p> <p>1/4-20x.50</p>  <p>(8x)</p>	<p>3</p>  <p>(8x)</p>
<p>6</p> <p>3/8-16</p>  <p>(4x)</p>	<p>4</p> <p>3/8-16x.75</p>  <p>(4x)</p>	<p>5</p>  <p>(4x)</p>
<p>9</p>  <p>(2x)</p>	<p>10</p>  <p>(2x)</p>	<p>7</p> <p>5/16-18x1.19</p>  <p>(2x)</p> <p>8</p>  <p>(2x)</p>

This accessory maintains UL/CSA Type 12,4X when installed per these instructions.

This accessory is covered by UL file E61997 and CSA file LR42186.

INSTALLATION STEPS

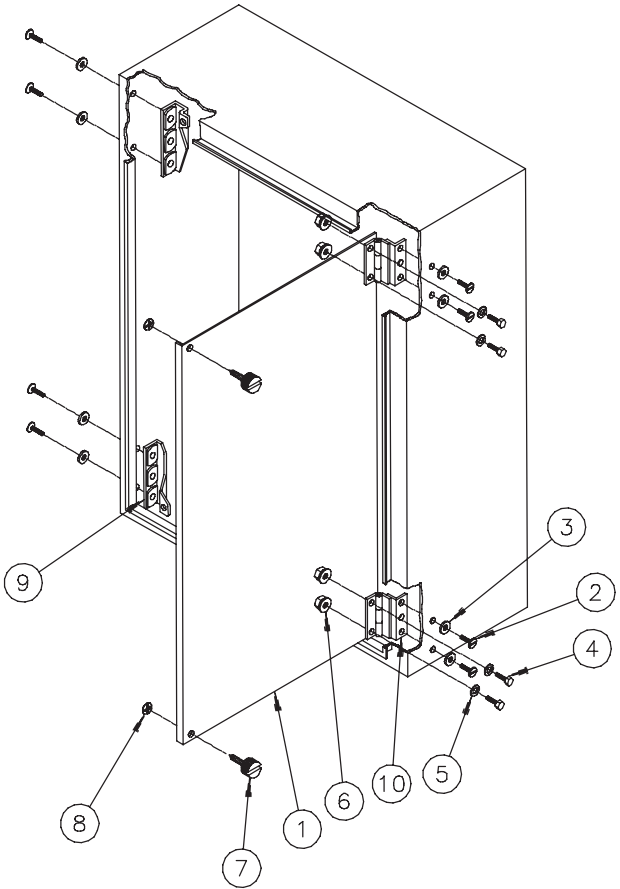
Step 1 – Swing panel may be hinged on any side. Determine mounting position desired and drill eight .312 (8mm) diameter holes as shown on page 6.

Step 2 – Mount hinges and securing brackets using pan head screws with nylon washers under the screw heads. In order to meet NEMA 4 and NEMA 12 standards, nylon washers must be used.

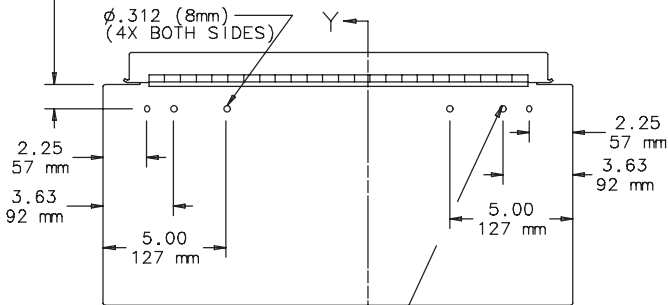
Step 3 – Mount swing panel to hinges with 3/8" hex head bolts, lockwashers, and hex nuts. Adjust panel until panel swings freely through the door opening.

Step 4 – Captivate thumb screws to panel using retaining rings provided.

Step 5 – On larger enclosures or with heavy panel loading, be sure to drill two holes in swing panel and install two bolts per hinge as shown.

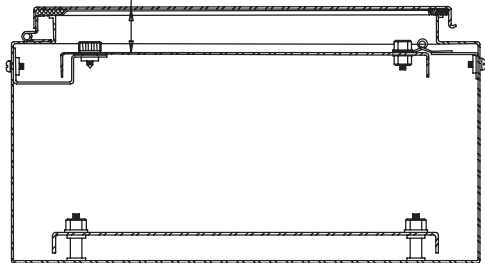


1.656 (42MM) MIN. FOR BULLETIN A1SM, A1M, A1L
(A42N3009 AND LARGER).
1.656 (42MM) MIN. FOR BULLETIN A4,
A12, A13, & A15.
1.562 (40MM) MIN. FOR BULLETIN A3LO, A3M, ADSM
STYLE "HCLO" (A16R166HCLO AND LARGER).
1.250 (32MM) MIN. FOR BULLETIN A52.



USE OPTIONAL MIDDLE
& INSIDE HOLES FOR
MOUNTING ON THE
LATCH SIDE OF
BULLETIN A-3 STYLE
"HCLO".

- 1.250 (32MM) MIN. FOR BULLETINS A4,
A12 AND A13.
1.219 (31MM) MIN. FOR BULLETIN A3LO,A3M,A3SM
STYLE "HCLO" (A16R166HCLO AND LARGER).
1.328 (34MM)MIN. FOR BULLETIN A15.
1.188 (30MM) MIN. FOR BULLETIN A1SM,A1M,A1L
(A42N3009 AND LARGER).
.906 (23MM) MIN. FOR BULLETIN A52.



Y-Y



HOFFMAN