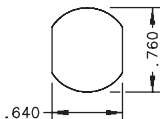


Cylinder Lock Kit

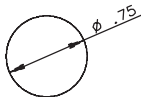
⚠ WARNING

To avoid electric shock, do not energize any circuits before all internal and external electrical and mechanical clearances are checked to assure that all assembled equipment functions safely and properly.

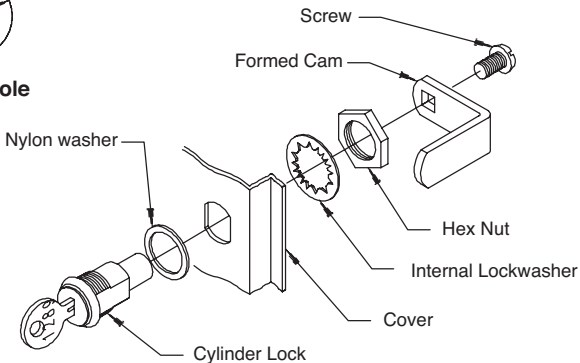
Mounting Hole Required



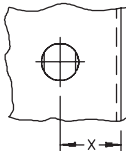
Punched Hole (Preferred)



Drilled Hole



Location of Mounting Hole On Large CH Boxes



X = 1.78 When B = 24 or less

X = 2.28 When B = more than 24

Location of Mounting Hole On JIC Boxes

