

Louver Filter Kit

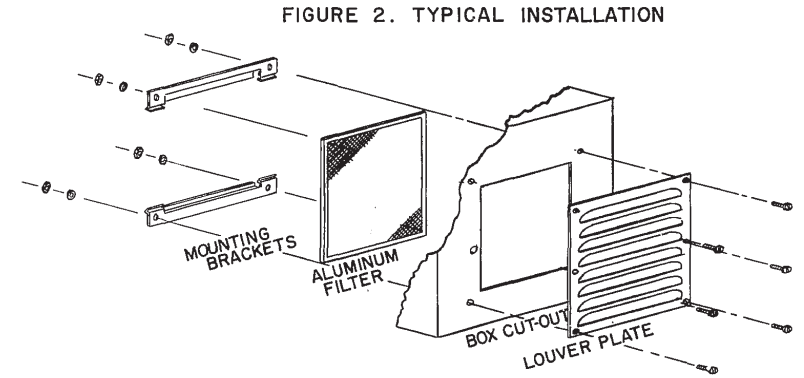
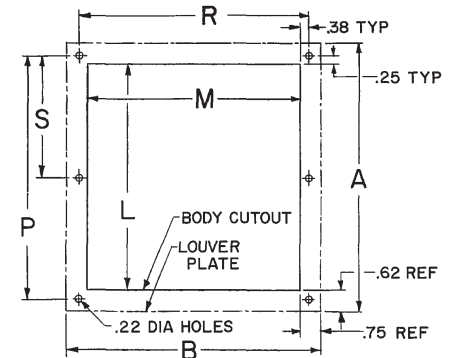


FIGURE 1. LOCATION OF BRACKET MOUNTING HOLES



⚠ WARNING

To avoid electric shock, do not energize any circuits before all internal and external electrical and mechanical clearances are checked to assure that all assembled equipment functions safely and properly.

INSTALLATION INSTRUCTIONS:

1. Check louver kit catalog number and make sure that the corresponding filter kit was selected.
2. Locate filter bracket mounting holes (4 or 6) if the louvers are stamped on the enclosure panel. Locations and dimensions are shown on figure 1 for each corresponding louver.
3. Drill four or six holes if needed. When drilling holes, make sure that no wires or components are in the way of the drill bit.
4. Assemble bracket and filter as shown in figure 2.

FILTER CAT. NO.	FOR LOUVER KIT NO.	A	B	L	M	P	R	S
A-FLT33	A-VK33	3.88	4.50	2.62	3.00	3.12	3.75	—
A-FLT34	A-VK34	4.75	4.50	3.50	3.00	4.00	3.75	—
A-FLT43	A-VK43	4.50	5.50	3.25	4.00	3.75	4.75	—
A-FLT44	A-VK44	5.62	5.50	4.38	4.00	4.88	4.75	—
A-FLT64	A-VK64	5.62	7.50	4.38	6.00	4.88	6.75	—
A-FLT66	A-VK66	7.88	7.50	6.62	6.00	7.12	6.75	3.56
A-FLT84	A-VK84	5.81	9.50	4.56	8.00	5.06	8.75	—
A-FLT86	A-VK86	8.19	9.50	6.94	8.00	7.44	8.75	3.72
A-FLT88	A-VK88	10.56	9.50	9.31	8.00	9.81	8.75	4.91
A-FLT812	A-VK812	15.31	9.50	14.06	8.00	14.56	8.75	7.28

TABLE 1. DIMENSIONS