



**HOFFMAN**

For Variable Depth Disconnect Devices  
And For Flexible Cable Disconnect Devices

In Hoffman Bulletin A25  
Wall Mounted Disconnect Enclosures



2-Point Latching

3-Point Latching

# ⚠ WARNING

The functions, fits, and clearances of the installation described hereon are calculated from information supplied by the manufactures of the equipment to be installed. Be certain to check the function, fits, and clearances of all equipment both before and after installation to assure that it operates properly and safely and meets all applicable codes, standards, and regulations.

In the event the completed installation does not function properly or fails to meet any such codes, standards, or regulations, do not attempt to make alterations or operate the equipment. Report such facts immediately to:

Hoffman Customer Service  
2100 Hoffman Way  
Anoka, MN 55303  
763 422 2211  
<http://hoffman.nvent.com/contact-us>

## NOTICE

To maintain the environmental rating of this enclosure: install in any opening, only listed or recognized disconnect devices, external mounting feet, or conduit hubs that have the same environmental rating as the enclosure. Install in compliance with the installation instructions of the device.

## INSTALLATION STEPS

**Step 1** – Drill mounting panel per manufacturer’s instructions for disconnect device.

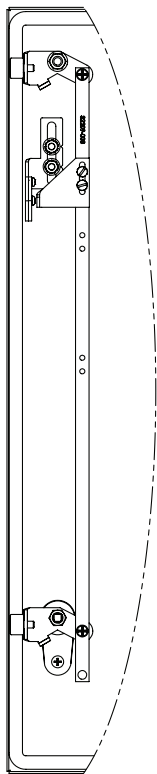
**Step 2** – Install operating handle on enclosure flange in holes provided. Follow disconnect manufacturer’s instructions.

**Step 3** – Install disconnect device on panel. Follow disconnect manufacturer’s instructions for installation and adjustment.

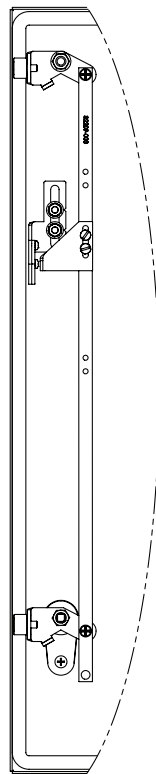
**Step 4** – Aftermarket handle and door latching: Hoffman enclosures include a latch bar and stud-type standoffs provided on the door. The aftermarket supplied latch mounting hardware will not be required. Follow aftermarket installation instructions.

**Step 5** – The nVent HOFFMAN installed door catch and door catch bracket feature vertical adjustment and two horizontal mounting positions. In some cases, it may be necessary to use the handle manufacture’s supplied door catch.

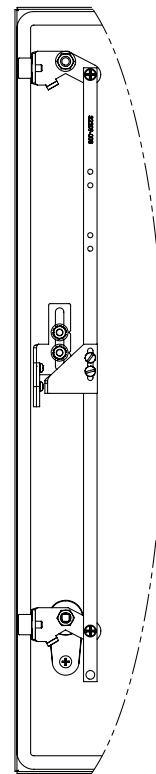
See disconnect manufacturer’s instructions regarding how to adjust door catch to properly interlock with the disconnect operating handle.



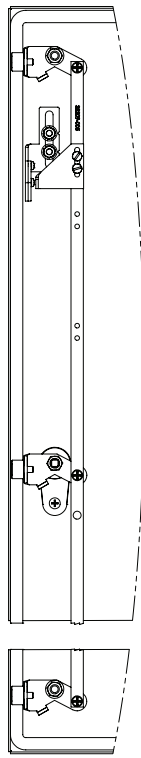
2 PT LATCHING  
8" DEEP ENCLOSURE



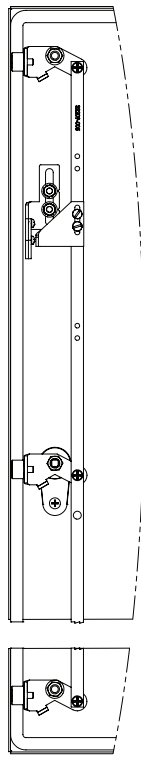
2 PT LATCHING  
10" DEEP ENCLOSURE



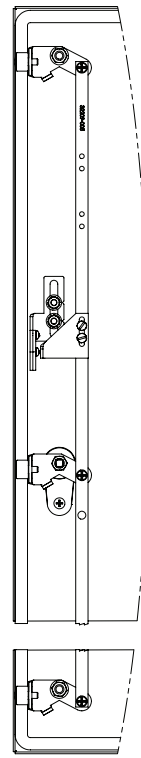
2 PT LATCHING  
12" & 16" DEEP ENCLOSURE



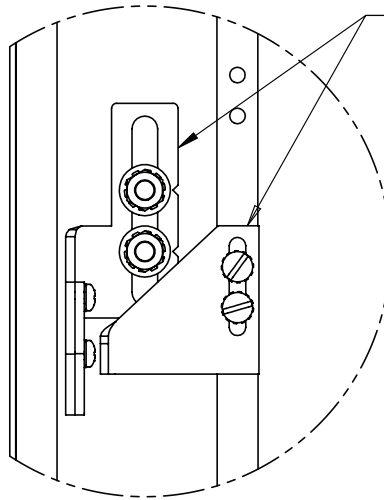
3 PT LATCHING  
8" DEEP ENCLOSURE



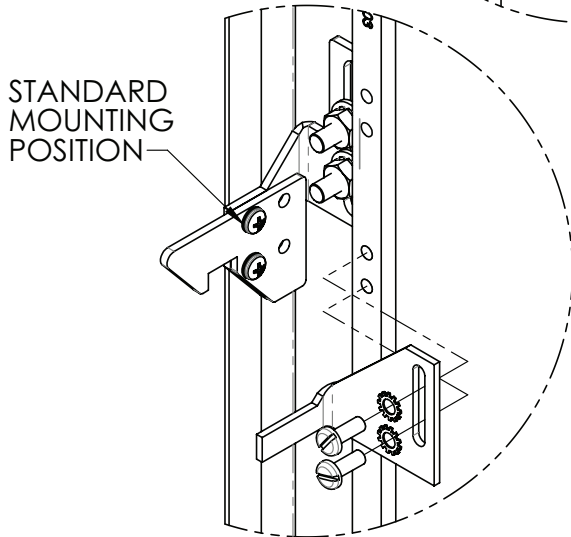
3 PT LATCHING  
10" DEEP ENCLOSURE



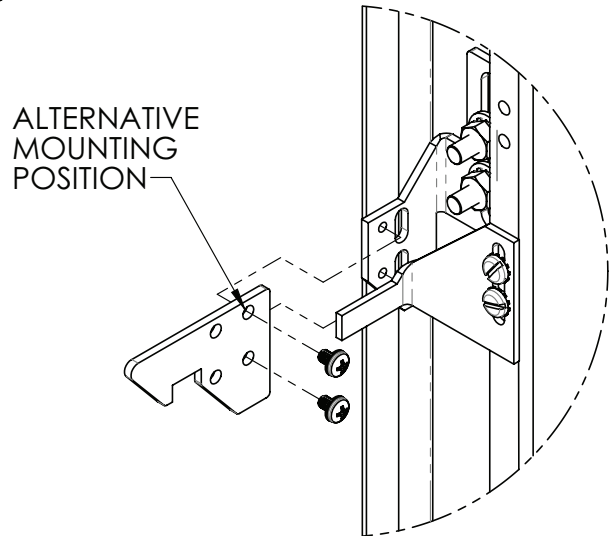
3 PT LATCHING  
12" & 16" DEEP ENCLOSURE



SEE HANDLE MANUFACTURE'S  
INSTRUCTIONS FOR PROPER  
ADJUSTMENTS



STANDARD  
MOUNTING  
POSITION



ALTERNATIVE  
MOUNTING  
POSITION



**HOFFMAN**