

FOUR MODES OF OPERATION

- Press [A/B] will switch display from one circuit to the other.
- Press [Shift] and the next key pressed is in use. Indicated by LED light above.
- Use [▲▼] keys to change the numeric values.
- Press [Enter] to select or save.
- Press [Back] to exit menu and return to scan mode.

CHANGE A SET POINT

- 1 Press [Shift] + [Enter]. The LED above the word Config is illuminated.
- 2 Press [Enter] again and the set point numeric value will blink.
- 3 Use [▲▼] keys to change the numeric value.
- 4 Press [Enter] to save.

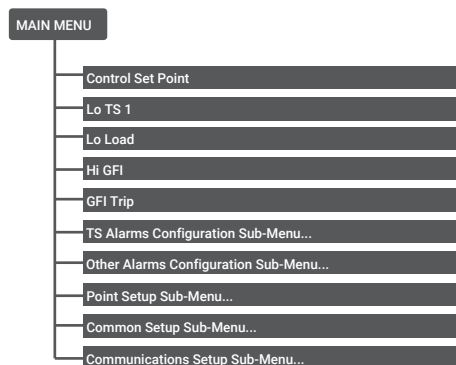
ACKNOWLEDGE AN ALARM

- 1 Press [Shift] + [A/B]. The LED above the word Alarm is illuminated.
- 2 The display will scroll through what type of alarm is indicating.
- 3 Press [Enter] to reset the Alarm, use [▲▼] keys to navigate.
- 4 Press [Enter] again to save.

ACCESS MAINTENANCE DATA

- 1 Press [Shift] + [Back]. The LED above the word Monitor is illuminated.
- 2 Use [▲▼] keys to scroll through the menu.
- 3 Scroll down to "Maintenance Data..." Press [Enter].
- 4 Additional sub-menu will open up to view more data.

NAVIGATING CONFIGURE MODE MAIN MENU



- *Please reference the manual for the complete list of configuration sub-menus.
- **Menu items with trailing "..." indicate the entry point to a sub-menu.

North America

Tel +1.800.545.6258
 Fax+1.800.527.5703
 thermal.info@nvent.com

Europe, Middle East, Africa

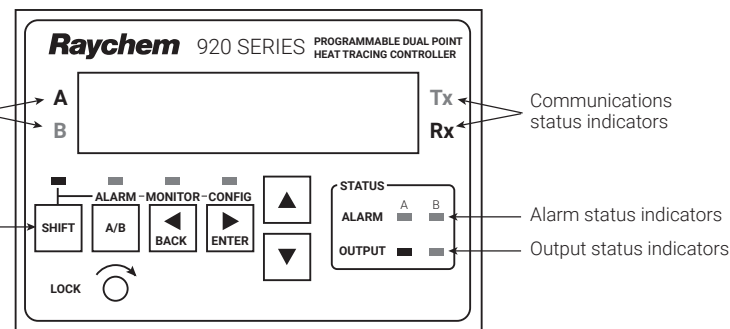
Tel +32.16.213.511
 Fax+32.16.213.604
 thermal.info@nvent.com

Asia Pacific

Tel +86.21.2412.1688
 Fax+86.21.5426.3167
 cn.thermal.info@nvent.com

Latin America

Tel +1.713.868.4800
 Fax+1.713.868.2333
 thermal.info@nvent.com



FOUR MODES OF OPERATION

SCAN

Default mode displayed during normal operation. The console sequentially displays load current, temperature, and setpoint readings for circuits A and B.

ALARM

Examine or reset any alarms that may exist. The LED above the **ALARM** key is illuminated while in this mode.



MONITOR

Examine any of the controller readings such as temperature, load current, etc. The LED above the **MONITOR** key is illuminated while in this mode.



CONFIGURE

Access the console menus to examine or alter the settings. The LED above the **CONFIG** key is illuminated while in this mode.



Reference the manual for complete installation instructions.