

D-BOX, TYPE 1



INDUSTRY STANDARDS

UL 2416 Listed; File No. E230874
 cUL Listed per CSA C22.2 No. 182.4; File No. E230874
 Ventilation complies with UL 60950

Telcordia NEBS™ Requirements: Physical Protection, GR-63-CORE, Zone 4. Tested with 100 lb. (45.4 kg) of equipment installed. Designed in accordance with BICSI TDMM Tenth edition, Chapter 7, Telecommunication Enclosures (TE)
 EIA 310-D
 IEC 60529, IP40
 NEMA Type 1

APPLICATION

Ideal for retail applications where it is necessary to house 19-in. network equipment in a public location, the horizontally-oriented D-BOX is a low-profile cabinet with a hinged door for convenient front access and a combination of fixed and rotating rack angles to accommodate varying equipment sizes.

FEATURES

- Spring-loaded, self-retained hinge pins allow door removal
- Reversible door fits flush to body with no exposed corners
- Knockouts for 4-in. fan on top and bottom of enclosure
- Wiring knockouts (7/8 in., 1-3/8 in., and 3 in.) on top and bottom of enclosure. Two 3-in. cable entry knockouts on back.
- 120-degree door opening

- Multiple cable tie-down points on back of enclosure
- Quarter-turn latch with key lock
- Keyhole mounting slots spaced 16.00 in. (406 mm) on center for easy enclosure mounting
- Bosses provided for mounting accessories such as cable spools
- Self-grounding mounting angles made of 12 gauge galvanized steel
- Patch panel 4U mounting angles rotate down for access
- Flange around door opening protects interior
- Bonding provision on door
- Ground stud on body
- EIA Universal 5/8 - 5/8 - 1/2 in. vertical mounting hole pattern matches industry standards. Holes are tapped 10-32.
- Includes package of twenty 10-32 mounting screws

SPECIFICATIONS

- Door manufactured from 14 gauge mild steel
- Body manufactured from 16 gauge mild steel

FINISH

Pretreated steel coated with RAL 7035 light-gray textured, low-gloss polyester powder paint. Other finishes available—contact Hoffman Customer Service.

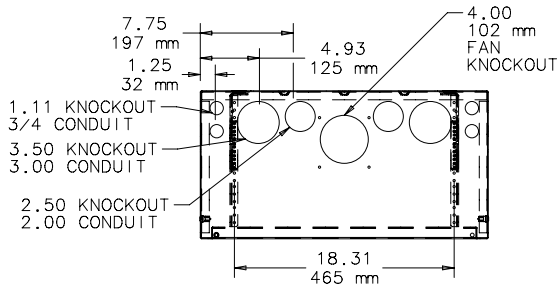
LOAD RATING

100 lb. (45.4 kg)

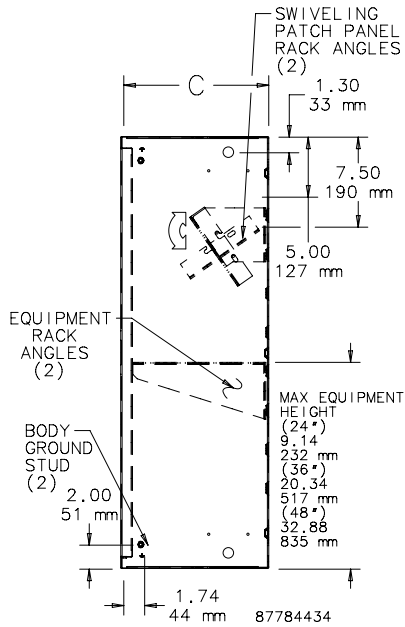
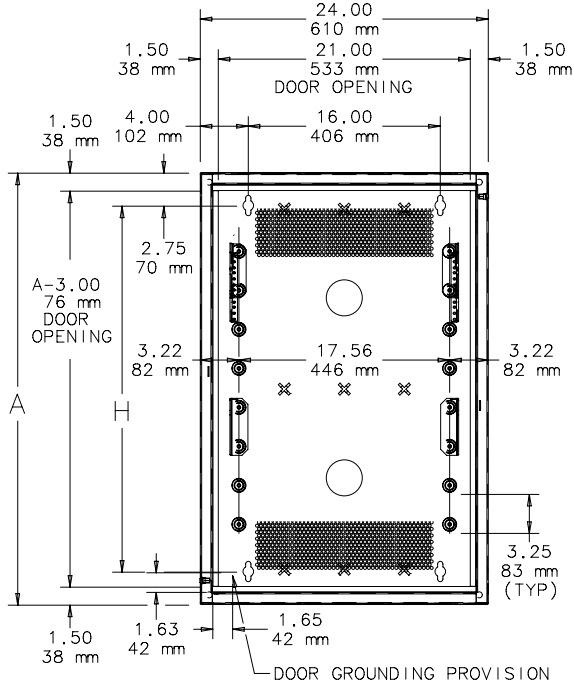
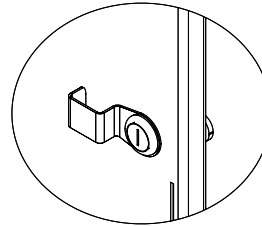
BULLETIN: DWS1

Standard Product

| Catalog Number | AxBxC in. | AxBxC mm | H (in.) | H (mm) | Rack Units |
|----------------|-----------------------|------------------|---------|--------|------------|
| DBS24248G | 24.00 x 24.00 x 8.34 | 610 x 610 x 212 | 22.00 | 559 | 4 |
| DBS36248G | 36.00 x 24.00 x 8.34 | 915 x 610 x 212 | 34.00 | 864 | 4 |
| DBS48248G | 48.00 x 24.00 x 8.34 | 1220 x 610 x 212 | 46.00 | 1168 | 4 |
| DBS242412G | 24.00 x 24.00 x 12.34 | 610 x 610 x 313 | 22.00 | 559 | 6 |
| DBS362412G | 36.00 x 24.00 x 12.34 | 915 x 610 x 313 | 34.00 | 864 | 6 |
| DBS482412G | 48.00 x 24.00 x 12.34 | 1220 x 610 x 313 | 46.00 | 1168 | 6 |



Field Installable Handle (Included)



BONDING AND GROUNDING KIT



Provides the cable and mounting hardware required to ground equipment to the door and the body of the cabinet.

BULLETIN: DWS1

| Catalog Number | Description |
|----------------|---------------------------|
| DBGRDK | Bonding and Grounding Kit |

DUPLEX OUTLET KIT



15 A duplex outlet is factory-mounted in three-sided, plated steel enclosure. Outlet enclosure mounts on hinge side of door in lower corner of cabinet. Mounting hardware provided.

BULLETIN: DWS1

| Catalog Number | Description | Current Rating |
|----------------|-------------------|----------------|
| DBDXK | Duplex Outlet Kit | 15 A |

EQUIPMENT RACK ANGLES



Fixed rack angles can be added to 36-in. and 48-in. tall cabinets for extra 19-in rack equipment mounting. Made of steel with clear zinc plating. EIA spaced holes are tapped 10-32. Mounts to raised pads on cabinet inside back with provided hardware.

BULLETIN: DWS1

| Catalog Number | Description | Rack Units |
|----------------|-----------------------|------------|
| DBERA4U | Equipment Rack Angles | 4 |
| DBERA6U | Equipment Rack Angles | 6 |

4-INCH COMPACT AXIAL FANS



Compact Cooling Fans are ideal for applications where enclosure space is limited and quiet, reliable cooling is required. Engineered for 50,000 hours of continuous operation without lubrication or service.

BULLETIN: D85

Standard Product

| Catalog Number | Description |
|----------------|-------------------------------------|
| A4AXFNPG | 4-in. fan, 115VAC, 46/49CFM |
| A4AXFNQG | 4-in. fan, Quiet, 115VAC, 85/100CFM |

FAN FILTER AND FINGER GUARD KIT



Low-density filter kit for 4-in. (102-mm) and 6-in. (152-mm) fans. Can also be used as vent. Filter is removable and can be cleaned and reused. Mounting hardware included.

BULLETIN: DTHRM, DWS1

| Catalog Number | Description | Fits |
|----------------|---------------------------------|------------|
| AFLTR4LD | Fan Filter and Finger Guard Kit | 4-in. fans |
| AFLTR6LD | Fan Filter and Finger Guard Kit | 6-in. fans |

PADLOCK KIT



Kit includes field installable hasp and staple. Fits padlocks with maximum 5/16 in. (8mm) shackle diameter. No drilling or layout required. Includes mounting hardware.

BULLETIN: DWS1

| Catalog Number | Description |
|----------------|----------------|
| DBPDLK | Padlocking Kit |

PATCH PANEL RACK ANGLES

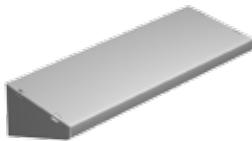


Swiveling rack angles drop 45 degrees to provide convenient access to equipment mounted on patch panels. Provide additional patch panel location in 36- and 48-in. (914- and 1219-mm) high cabinets. Made of self-grounding, plated 12 gauge steel. Mounting hardware included. Set of two.

BULLETIN: DWS1

| Catalog Number | Description | Rack Units |
|----------------|-------------------------|------------|
| DBPRA4U | Patch Panel Rack Angles | 4 |

SHELVES



Shelves provide additional storage in 36- and 48-in. (914- and 1219-mm) tall cabinets. Made of self-grounding plated 16 gauge steel. 75 lb. (34.0 kg) load rating. RAL 7035 polyester powder coat finish.

BULLETIN: DWS1

| Catalog Number | Description | Length in./mm | Depth in./mm | Fits Cabinet Depth |
|----------------|-------------|---------------|--------------|--------------------|
| DBSHELF8 | Steel Shelf | 19.05 484 | 7.25 184 | 8 in. |
| DBSHELF12 | Steel Shelf | 19.05 484 | 11.08 281 | 8 or 12 in. |

STRUT WALL-MOUNTING KIT



Provides secure mounting for cabinet. RAL 7035 polyester powder coat finish.

BULLETIN: DWS1

| Catalog Number | Description | Length in./mm |
|----------------|-------------------------|---------------|
| DB24WMTK | Strut Wall-Mounting Kit | 24.00 610 |