

**OPAL PAD-MOUNT DSL CABINET**



5-Door Cabinet



Custom Cabinet Shown

**INDUSTRY STANDARDS**

UL 508A Listed; Type 3, 3R, 4, 4X, 12; File No. E61997

CSA: Type 3, 3R, 4, 4X, 12  
 NEMA/EEMAC Type 3, 3R, 4, 4X, 12  
 EC60529, IP66  
 Designed to meet Telcordia NEBS GR-487, GR-63 and IEC 48D  
 EIA 310-D with 19-in. spacing for rack equipment  
 Cabinet is RoHS compliant  
 NEBS is a trademark of Telcordia

**APPLICATION**

Protect communications equipment from the elements in various environments with OPAL, an aluminum pad-mounted cabinet. OPAL is offered in three- and five-door models and is designed to meet Telcoria NEBS GR-487-CORE requirements.

**FEATURES**

- Offered with three or five doors mounted for front, rear and side access to equipment
- Five-door model has two equal compartments and one side compartment
- Side compartment is ideal for cable entry, power distribution and load center
- Copper bonding bars included with cabinet
- Rack angles have EIA universal spaced square holes and are infinitely adjustable front-to-back in compartment
- Rack angles are predrilled for bend radius spools
- Each compartment is capable of either 19- or 23-in. rack angle positioning
- Top has integral solar shield with formed angles providing a peaked roof to deflect rain water to the sides of the cabinet
- L-handle is padlockable
- Bottom holes provided for bolting cabinet to concrete pad
- All doors have door switch, door (wind) stops and vault-style locking system
- Grounding and bonding studs provided on all doors and body
- Three cable entry boots provided in side compartment
- Four cable entry gland plates provided between side and central compartments

**SPECIFICATIONS**

- Manufactured from Type 5052-H32 0.125-in. thick aluminum
- Seams continuously welded and ground smooth
- Heavy duty continuous hinge with stainless steel hinge pin on all doors
- Rack angles made of 12 gauge plated steel
- All doors have with seamless gasket
- Door handles made of die-cast zinc with black polyester powder finish

**FINISH**

RAL 7035 light-gray, textured, low-gloss polyester powder paint over pretreated surfaces. Custom finishes available; please contact your local Hoffman sales office.

**ACCESSORIES**

- See also Accessories.*
- Shelves
  - PDU's
  - Cooling
  - Cable Management Spools
  - Switches
  - Lights
  - Cage Nuts and Screws

**MODIFICATION AND CUSTOMIZATION**

- Thermal management analysis
- Finish (graffiti resistant, local and regional requirements, Telco green and beige)
- The addition of fans, heat exchangers and air conditioners
- Cabinet insulation (recommended for all air conditioned applications)
- Holes, cut-outs, finish and size changes
- EMI/RFI shielding
- Level 1- 4 integration
- Additional battery compartment
- Additional testing (UL, GR-487-CORE, seismic, vibration, load, etc)

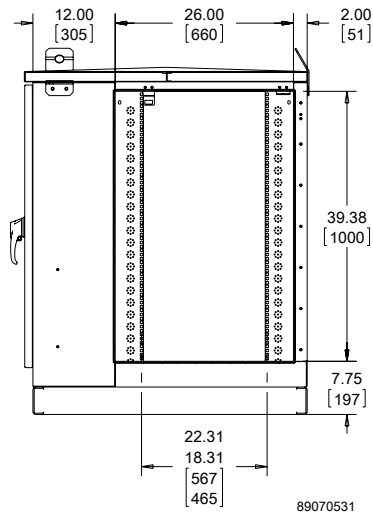
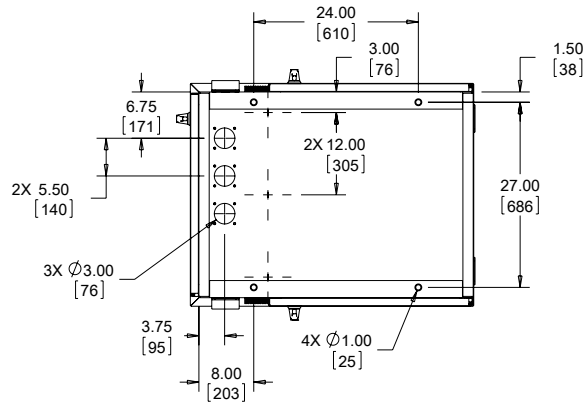
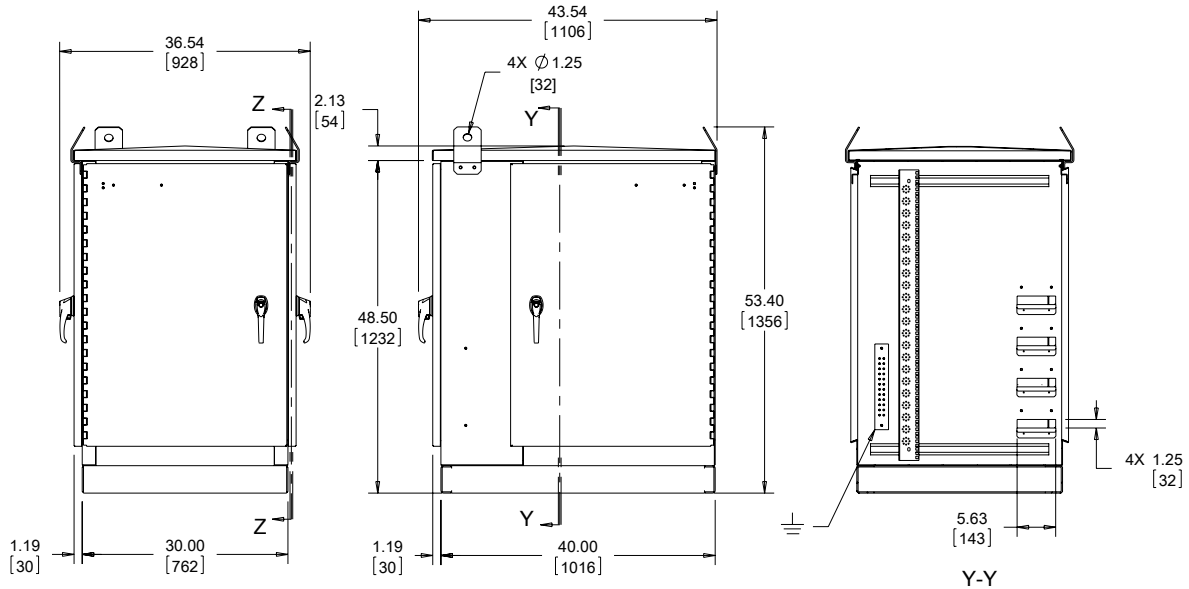
Contact your Hoffman Sales Office for details.

**BULLETIN: DPMC**

Standard Product **OPAL Outdoor Pad-Mounted Communications Cabinet**

Catalog Number	AxBxC in./mm	Rack Units Per Bay
T504030PM3	48.50 x 43.54 x 30.00	22
	1232 x 1106 x 762	
T507030PM5	48.50 x 73.54 x 30.00	22
	1232 x 1868 x 762	

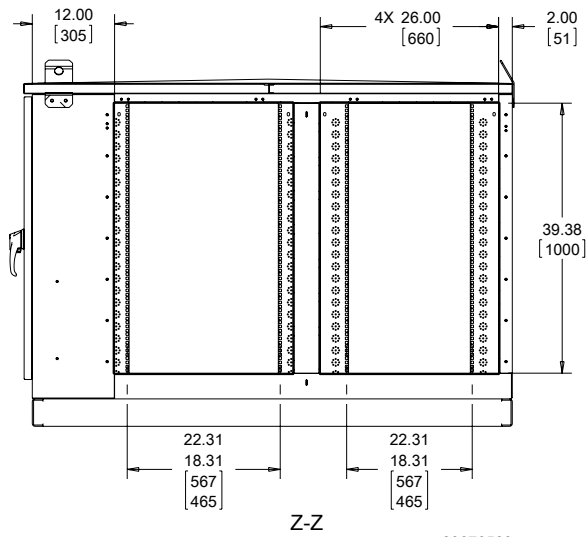
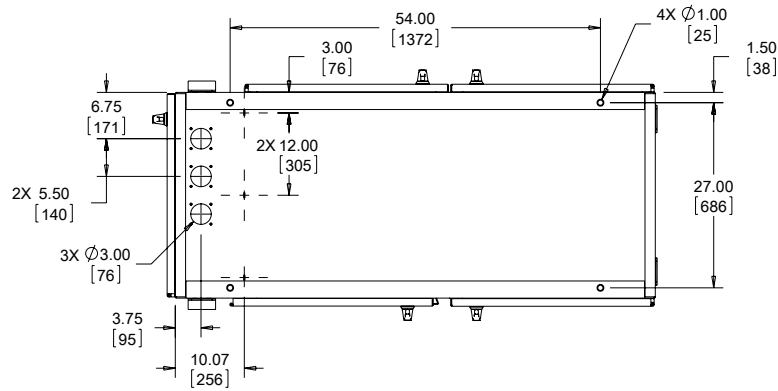
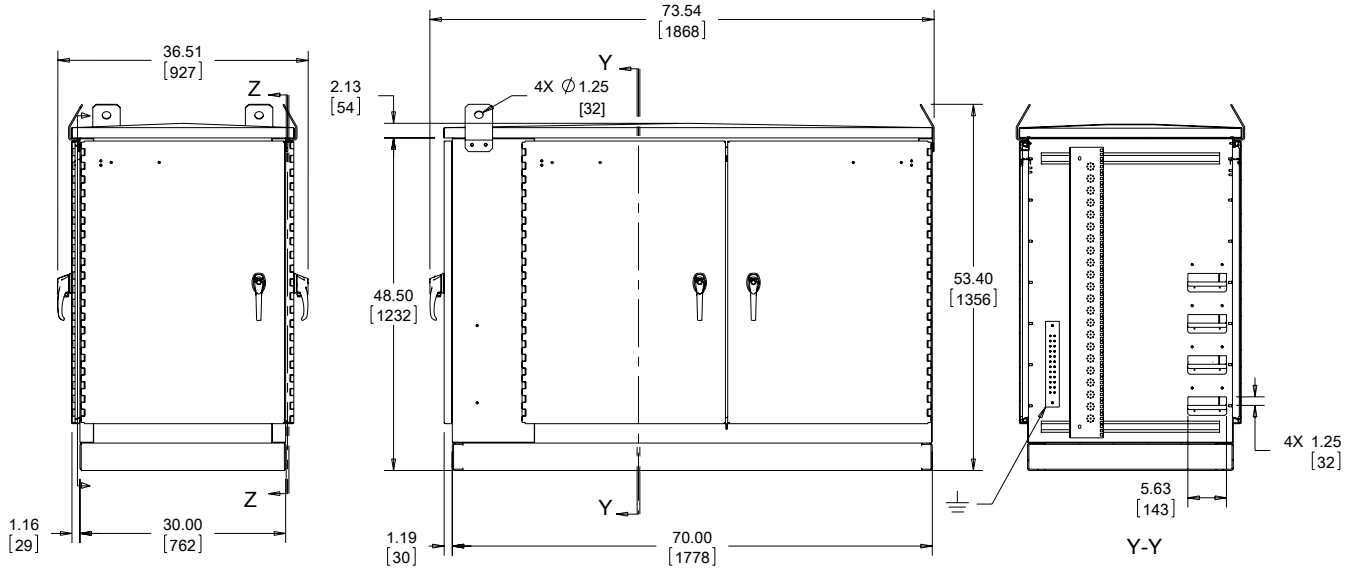
OPAL 3-Door Enclosure



Z-Z

89070531

OPAL 5-Door Enclosure



89070569

Notes