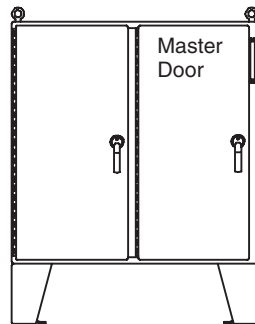


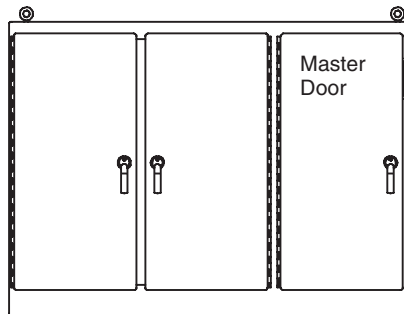
OPERATOR ADAPTER A21CHVA

Installation Instructions for Cutler-Hammer C361 and C371 Variable Depth Operating Mechanisms and C371 Flex Shaft™ Flexible Cable Operating Mechanisms
(For parts list, see page 2)

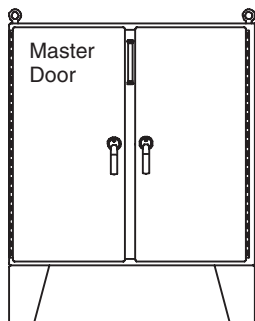
For floor-mounted enclosures with disconnect on the right flange, see pages 3–7 (flexible cable mechanism, see pages 18–22)



For one through six door free-standing enclosures with the disconnect on the right flange, see pages 8–12 (flexible cable mechanism, see pages 18–22)



For floor-mounted enclosures with the disconnect on the centerpost, see pages 13–17 (flexible cable mechanism, see pages 18–22)



WARNING

The functions, fits, and clearances of the installation described hereon are calculated from information supplied by the manufactures of the equipment to be installed. Be certain to check the function, fits, and clearances of all equipment both before and after installation to assure that is operates properly and safely and meets all applicable codes, standards, and regulations.

In the event the completed installation does not function properly or fails to meet any such codes, standards, or regulations, do not attempt to make alterations or operate the equipment. Report such facts immediately to:

Hoffman Customer Service
2100 Hoffman Way
Anoka, MN 55303
763 422 2211
<http://hoffman.nvent.com/contact-us>

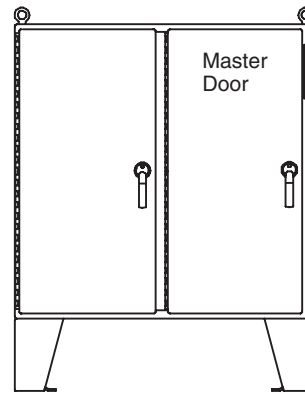
PARTS LIST

Operator Adapter, Catalog Number A21CHVA for Cutler–Hammer C361, C371 Disconnects

<u>Item No</u>	<u>Part Name</u>	<u>Part No</u>	<u>Quantity</u>
1	Mounting Plate for C–H C361, C371	26385001	1
2	Gasket, Plate	26216011	1
3	Screw, 1/4–20x1/2 Pan HD	99401031	4
4	Slide Arm	26250001	1
5	Shoulder Collar	26149001	1
6	Screw, 1/4–20x7/8 Hex HD	99401030	1
7	Lockwasher, 1/4 Spring	99401318	1
8	Washer, Flat	22101003	2
9	Lockwasher, 1/4 Int	99401300	2
10	Nut, 1/4–20 Hex	99401406	2
11	Door Catch	23101002	1
12	Screw, 10–32x3/8 Pan HD	99401007	2
13	Lockwasher, #10 Int	99401307	2
14	Label, (extra)	26147001	1
15	Mounting Plate for C–H Cable Operator	27206002	1
16	Installation Instruction	26386001	1

INTRODUCTION

This installation instruction is for Cutler–Hammer C361, C371 (variable depth) mechanisms. These mechanisms are for disconnect switches and circuit breakers mounted in Hoffman two door floor–mounted, Bulletin A21 enclosures with the disconnect on the right flange.



INSTALLATION STEPS

Step 1 – Install mounting plate (item 1) and plate gasket (item 2) on the inside of the enclosure, behind the rectangular opening provided. Secure in place with four screws (item 3).

Step 2 – Discard the Cutler–Hammer spring bracket which is normally installed inside the enclosure flange, behind the C–H handle mechanism.

Step 3 – Assemble the Cutler–Hammer handle mechanism to the mounting plate which was installed in the enclosure in step 1. Omit cap screw and lockwasher which fits into bottom hole of the handle mechanism.

Step 4 – Install the slide arm (item 4) over the defeater part of the handle assembly (on C–H handle mechanism) with notch toward door opening, as shown. Place the smaller diameter end of the shoulder collar (item 5) through the oval slot in the slide arm. Install long cap screw (item 6) with lockwasher (item 7) through shoulder collar into the bottom mounting hole of the C–H handle mechanism and tighten. The slide arm and defeater should move up and down smoothly. Install door hasp (C–H part) per Cutler–Hammer instructions.

Step 5 – Attach the bottom of the slide arm (item 4) to the offset arm of the lock release mechanism. Use two flat washers (item 8), two lockwashers (item 9), and two hex nuts (item 10). Do not tighten until parts are adjusted. (see step 6B)

Step 6 – The handle safety lock release mechanism is adjustable in two places.

(A) Check the adjustment of the factory installed roller bracket. The door latch should hit against the latch stop portion of the roller bracket when the door is closed and latched. Adjust up or down if necessary. The attached mechanism will then provide the necessary up–down motion required to operate the release mechanism in the C–H handle mechanism.

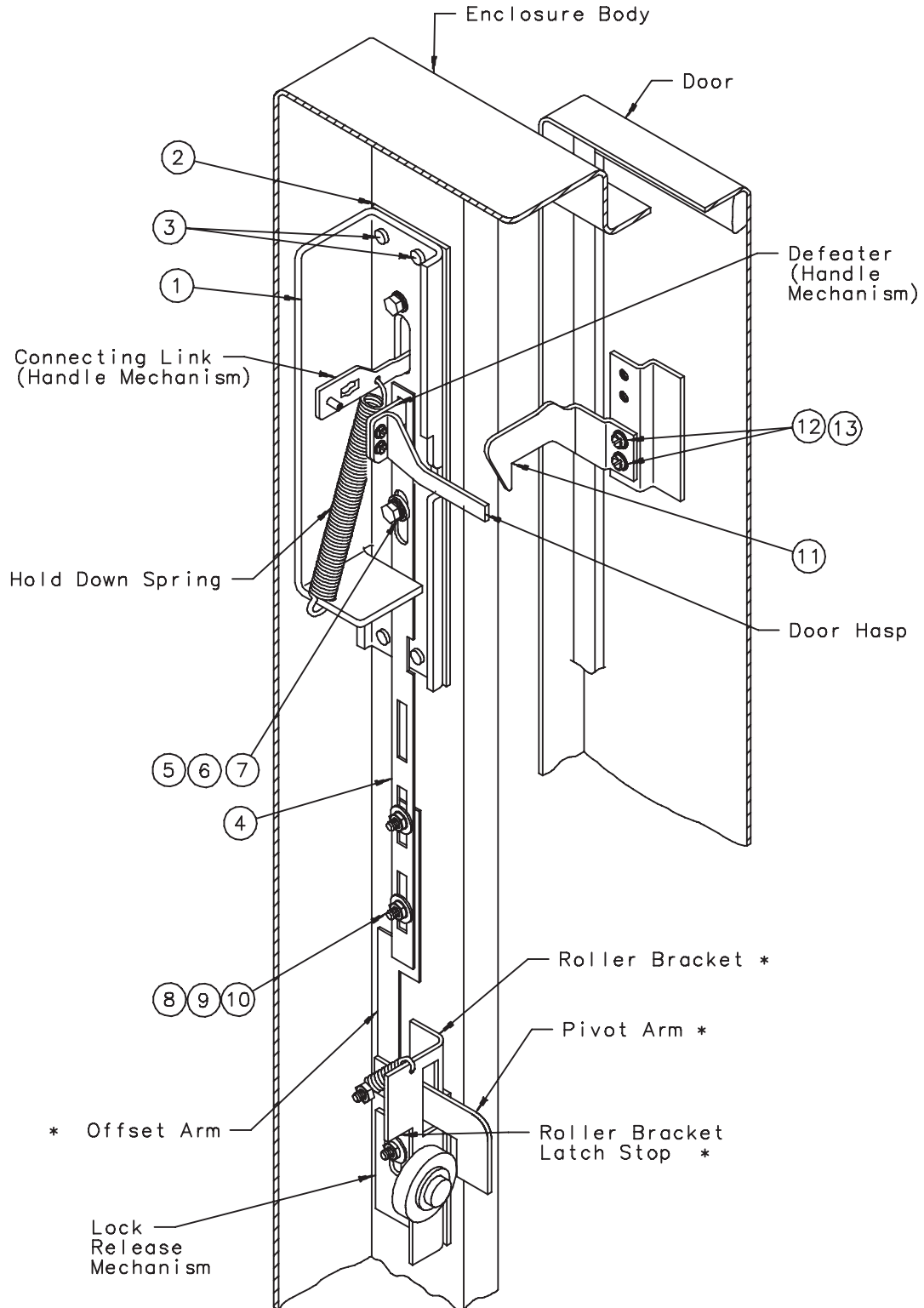
(B) Adjust the length of the slide arm assembly. With proper adjustment of the slide arm, the safety lock (on Cutler–Hammer handle mechanism) should release just before the master door is fully latched. Lengthen slide arm if safety lock releases too soon. Shorten slide arm if safety lock releases too late.

Step 7 – Attach the door catch (item 11), provided by Hoffman, to the tapped spacer on the door using the bottom set of mounting holes. Use two screws (item 12) and lockwashers (item 13). The door catch prevents the door from being opened when the handle mechanism is in the “ON” position. The door catch may be easily bent up or down to hook properly on the door hasp of the Cutler–Hammer handle mechanism.

Step 8 – Drill and tap holes in panel as shown in diagram and table 1. See Cutler–Hammer instructions for locating extra holes for fuse clips.

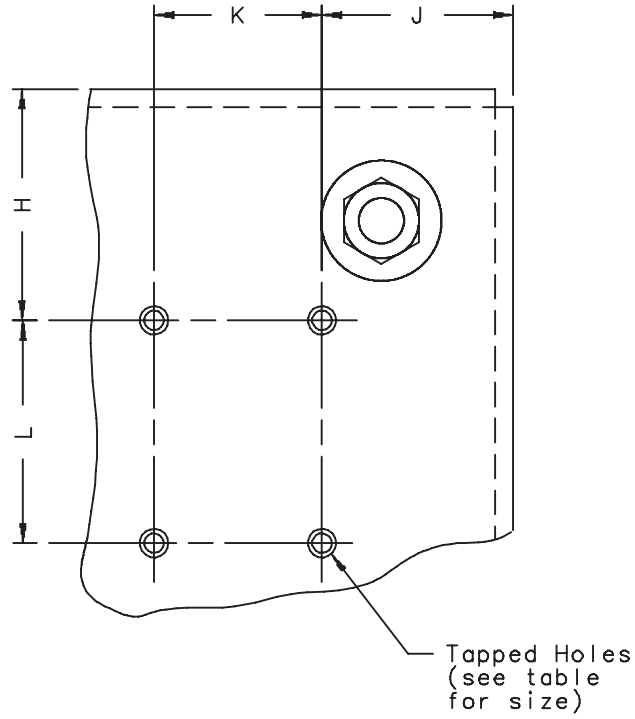
Step 9 – Mount switch or circuit breaker using Cutler–Hammer instructions and parts. C–H connecting rod must be cut off per Cutler–Hammer instructions. See table 2 for depth dimensions used to determine length of rod.

For Floor-Mounted, Two Door Enclosures With Disconnect on Right Flange



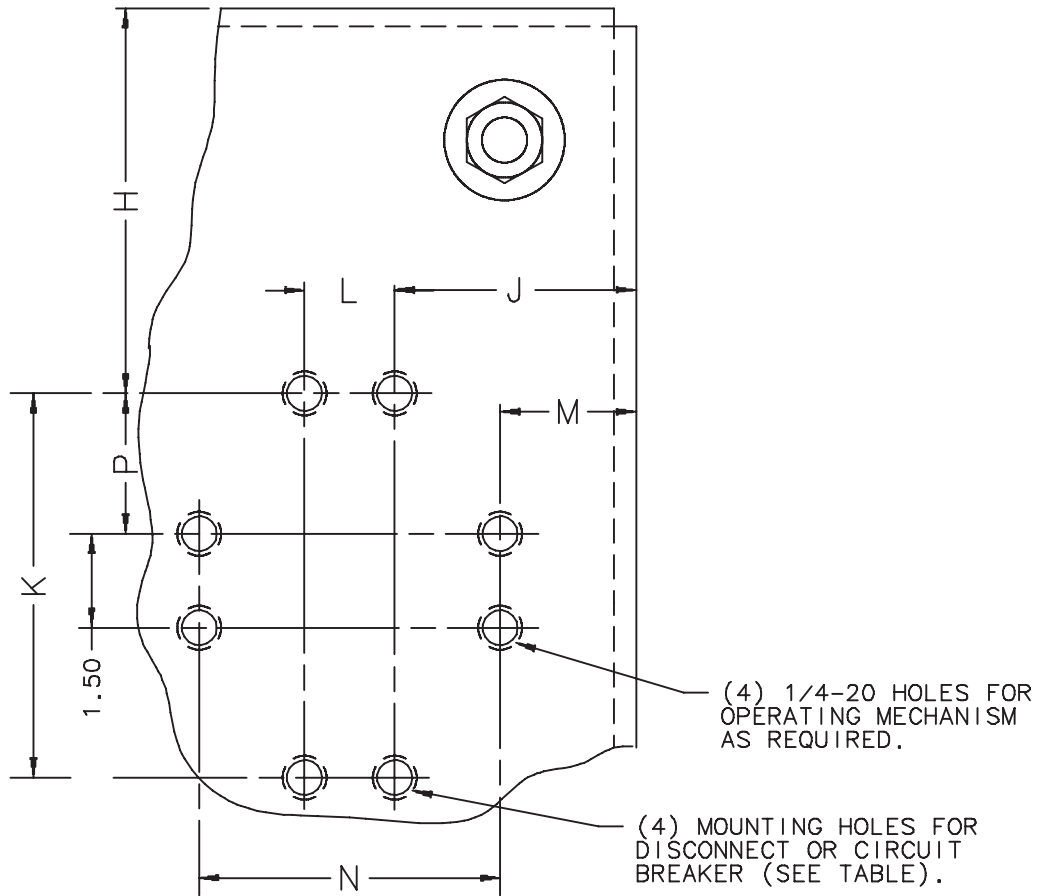
* Parts of lock release mechanism

For Floor-Mounted, Two Door Enclosures With Disconnect on Right Flange



Hole Pattern For Disconnect Switch	Size
C361NC/C361SC	30 AMP.
C361ND/C361SD	60 AMP.
C361NE/C361SE	100 AMP.
C361NF/C361SF	200 AMP.

For Floor-Mounted, Two Door Enclosures With Disconnect on Right Flange



Hole Pattern For Circuit Breaker	Frame Size
HMCP, FS, FH, EHD FDB, FD, HFD	150 AMP.
HMCP, JS, JH, JL, JD, JDB, HJD, JDC	250 AMP.
HMCP, HK, KS, KD, DK, KDB, HKD	400 AMP.
LH, LS, LC	600 AMP.

For Floor-Mounted, Two Door Enclosure With Disconnect on Right Flange

TABLE 1										
Circuit Breaker or Disconnect Switch	Frame Size	H 60.12" HIGH	H 72.12" HIGH	J	K	L	M	N	P	Size of Mounting Holes
C361NC (30A)	----	4.250	10.250	2.593	4.000	7.125	----	----	----	10-32 UNF
C361SC (30A)	----	4.250	10.250	2.593	4.000	9.750	----	----	----	10-32 UNF
C361ND (60A)	----	4.250	10.250	2.593	4.000	7.125	----	----	----	10-32 UNF
C361SD (60A)	----	4.250	10.250	2.593	4.000	9.750	----	----	----	10-32 UNF
C361NE (100A)	----	4.063	10.063	2.468	5.500	7.125	----	----	----	10-32 UNF
C361SE (100A)	----	4.063	10.063	2.468	5.500	11.875	----	----	----	10-32 UNF
C361NF (200A)	----	DO NOT INSTALL	8.469	.938	8.500	15.500	----	----	----	5/16-18 UNC
C361SF (200A)	----	DO NOT INSTALL	8.469	.938	8.500	15.500	----	----	----	5/16-18 UNC
HMCP, FS, FH, EHD, FDB, FD, HFD	150A	6.484	12.484	2.734	4.500	1.375	----	----	----	8-32 UNC
JS, JH, JL	250A	6.438	12.438	3.250	7.250	1.375	.422	6.948	2.750	10-32 UNF
HMCP	250A	6.438	12.438	3.250	7.250	1.375	.422	6.948	2.750	1/4-20 UNC
KH, KS, DK, KDB, KD, HKD, KDC	400A	6.000	12.000	3.078	8.438	1.719	.422	6.948	3.180	1/4-20 UNC
HMCP	400A	6.000	12.000	3.078	8.438	1.719	.422	6.948	4.000	1/4-20 UNC
LH, LS, LC	600A	DO NOT INSTALL	10.094	4.000	9.53	2.750	.344	10.050	4.320	1/4-20 UNC

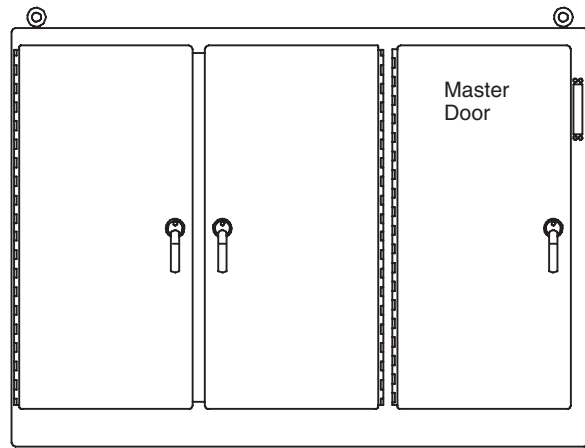
TABLE 2			
Bulletin	Hoffman Disconnect Enclosure Description	Enclosure Depth C	Cutler-Hammer D (1)
A21	Two Door, Floor-Mounted Disconnect on Right Flange	12.13	10.63
		18.13	16.63 (2)
		24.13	22.63 (2)

1) This dimension is used to determine length to cut Cutler-Hammer connecting rods. See Cutler-Hammer instructions

2) This dimension may be greater than the depth range of standard Cutler-Hammer connecting rods. A six inch platform is provided with 24.13 inch deep enclosures to reduce the depth for disconnect mounting. The platform can be eliminated if longer connecting rods are ordered from Cutler-Hammer. (C371-CS1 or C371-CS2)

INTRODUCTION

This installation instruction is for Cutler-Hammer C361, C371 (variable depth) mechanisms. These mechanisms are for disconnect switches and circuit breakers mounted in Hoffman one through six door, free-standing Bulletin A28M1, A34Y enclosures with the disconnect on the right flange.



INSTALLATION STEPS

Step 1 – Install Mounting plate (item 1) and plate gasket (item 2) on the inside of the enclosure, behind the rectangular opening provided. Secure in place with four screws (item 3).

Step 2 – Discard the Cutler-Hammer spring bracket which is normally installed inside the enclosure flange behind the C-H handle mechanism.

Step 3 – Assemble the Cutler-Hammer handle mechanism to the mounting plate which was installed in the enclosure in step 1. Omit cap screw and lockwasher which fits into bottom hole of the handle mechanism.

Step 4 – Install the slide arm (item 4) over the defeater part of the handle assembly (on C-H handle mechanism) with notch toward door opening, as shown. Place the smaller diameter end of the shoulder collar (item 5) through the oval slot in the slide arm. Install long cap screw (item 6) with lockwasher (item 7) through shoulder collar into the bottom mounting hole of the C-H handle mechanism and tighten. The slide arm and defeater should move up and down smoothly. Install door hasp (C-H part) per Cutler-Hammer instructions.

Step 5 – Attach the bottom of the slide arm (item 4) to the offset arm of the lock release mechanism. Use two flat washers (item 8), two lockwashers (item 9), and two hex nuts (item 10). Do not tighten until parts are adjusted. (see step 6B)

Step 6 – The handle safety lock release mechanism is adjustable in two places.

(A) Check the adjustment of the factory installed roller bracket. The door latch should hit against the latch stop portion of the roller bracket when the door is closed and latched. Adjust up or down if necessary. The attached mechanism will then provide the necessary up-down motion required to operate the release mechanism.

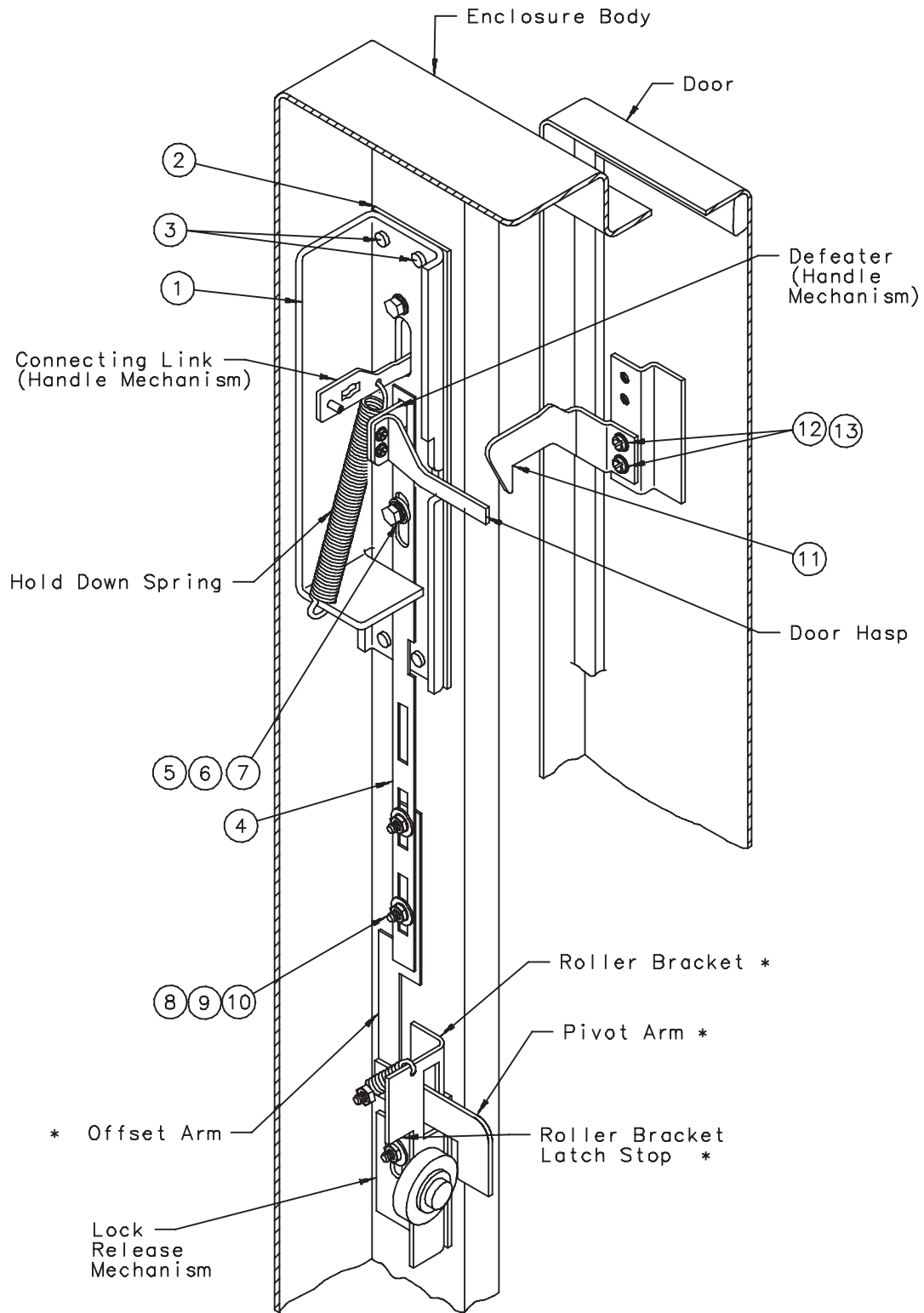
(B) Adjust the length of the slide arm assembly. With proper adjustment of the slide arm, the safety lock (on Cutler-Hammer handle mechanism) should release just before the master door is fully latched. Lengthen slide arm if safety lock releases too soon. Shorten slide arm if safety lock releases too late.

Step 7 – Attach the door catch (item 11), provided by Hoffman, to the tapped spacer on the door using the bottom set of mounting holes. Use two screws (item 12) and lockwashers (item 13). The door catch prevents the door from being opened when the handle mechanism is in the "ON" position. The door catch may be easily bent up or down to hook properly on the door hasp of the Cutler-Hammer handle mechanism.

Step 8 – Drill and tap holes in panel as shown in diagram and table. See Cutler-Hammer instructions for locating extra holes for fuse clips.

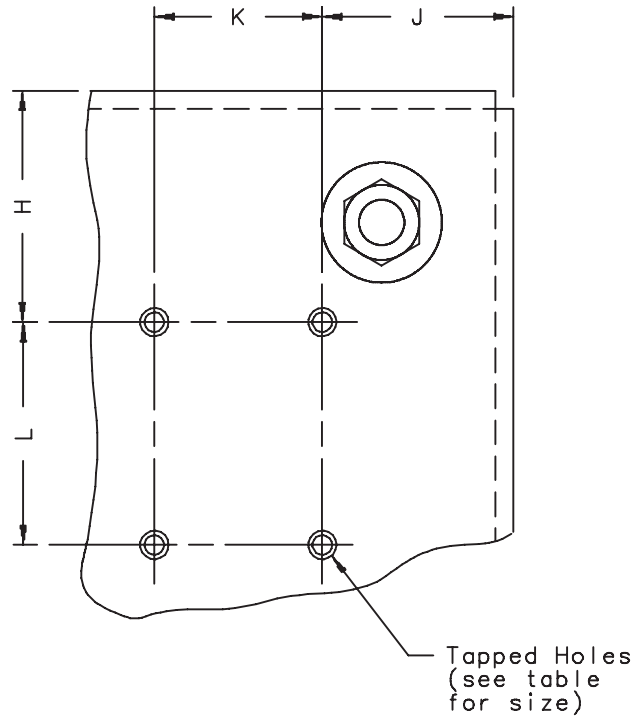
Step 9 – Mount switch or circuit breaker using Cutler-Hammer instructions and parts. Cutler-Hammer connecting rod assembly must be cut off per Cutler-Hammer instructions. See table 2 for depth dimensions used to determine length of rod.

For One Through Six Door Free-Standing Enclosures With Disconnect on Right Flange



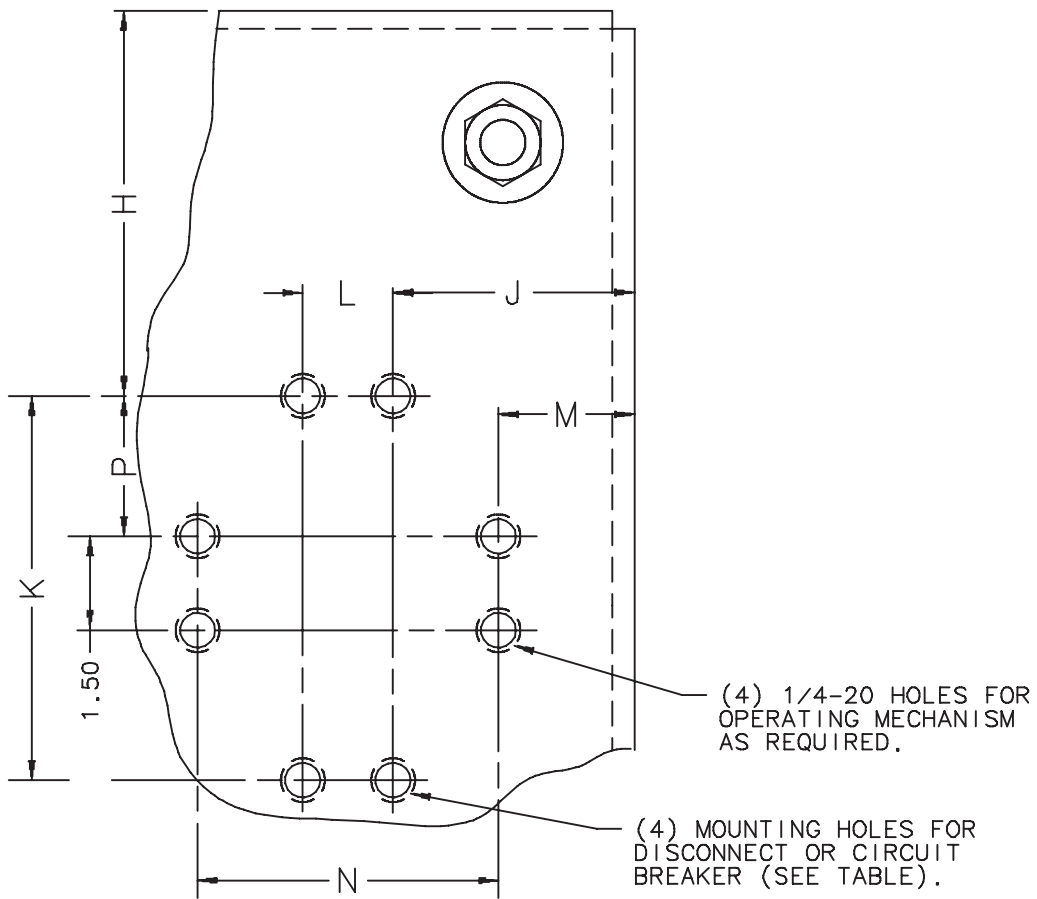
* Parts of lock release mechanism

For One Through Six Door Free-Standing Enclosures With Disconnect on Right Flange



Hole Pattern For Disconnect Switch	Size
C361NC/C361SC	30 AMP.
C361ND/C361SD	60 AMP.
C361NE/C361SE	100 AMP.
C361NF/C361SF	200 AMP.

For One Through Six Door Free-Standing Enclosures With Disconnect on Right Flange



Hole Pattern For Circuit Breaker	Frame Size
HMCP, FS, FH, EHD FDB, FD, HFD	150 AMP.
HMCP, JS, JH, JL, JD, JDB, HJD, JDC	250 AMP.
HMCP, HK, KS, KD, DK, KDB, HKD	400 AMP.
LH, LS, LC	600 AMP.
MH, MS, MC	800 AMP.
NH, NS, NC	1200 AMP.

For One Through Six Door Free-Standing Enclosure with Disconnect on Right Flange

TABLE 1											
Circuit Breaker or Disconnect Switch	Frame Size	H 72.12" HIGH	H 84.12" HIGH	H 90.12" HIGH	J	K	L	M	N	P	Size of Mounting Holes
C361NC (30A)	----	6.250	12.250	15.250	2.593	4.000	7.125	----	----	----	10-32 UNF
C361SC (30A)	----	6.250	12.250	15.250	2.593	4.000	9.750	----	----	----	10-32 UNF
C361ND (60A)	----	6.250	12.250	15.250	2.593	4.000	7.125	----	----	----	10-32 UNF
C361SD (60A)	----	6.250	12.250	15.250	2.593	4.000	9.750	----	----	----	10-32 UNF
C361NE (100A)	----	6.063	12.063	15.063	2.468	5.500	7.125	----	----	----	10-32 UNF
C361SE (100A)	----	6.063	12.063	15.063	2.468	5.500	11.875	----	----	----	10-32 UNF
C361NF (200A)	----	4.469	10.469	13.469	.938	8.500	15.500	----	----	----	5/16-18 UNC
C361SF (200A)	----	4.469	10.469	13.469	.938	8.500	15.500	----	----	----	5/16-18 UNC
HMCP, FS, FH, EHD, FDB, FD, HFD	150A	8.484	14.484	17.484	2.750	4.500	1.375	----	----	----	8-32 UNC
JS, JH, JL	250A	8.438	14.438	17.438	3.250	7.250	1.375	.438	6.948	2.750	10-32 UNF
HMCP	250A	8.438	14.438	17.438	3.250	7.250	1.375	.438	6.948	2.750	1/4-20 UNC
KH, KS, DK, KDB, KD, HKD, KDC	400A	8.000	14.000	17.000	3.078	8.438	1.719	.438	6.948	3.180	1/4-20 UNC
HMCP	400A	8.000	14.000	17.000	3.078	8.438	1.719	.438	6.948	4.000	1/4-20 UNC
LH, LS, LC	600A	6.109	12.109	15.109	4.000	9.530	2.750	.359	10.050	4.320	1/4-20 UNC
MH, MS, MC	800A	DO NOT INSTALL	8.547	11.547	4.000	14.750	2.750	.359	10.050	7.880	1/4-20 UNC
NH, HS, HC	1200A	DO NOT INSTALL	8.457	11.547	4.000	14.750	2.750	.359	10.050	7.880	1/4-20 UNC

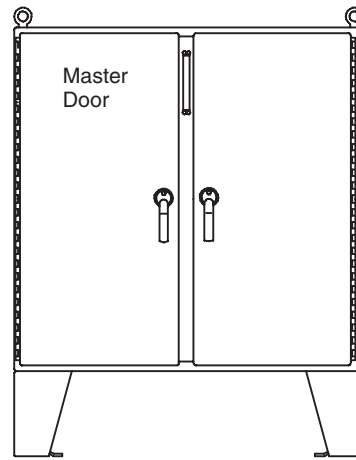
TABLE 2			
Bulletin	Hoffman Disconnect Enclosure Description	Enclosure Depth C	Cutler-Hammer D (1)
A28M1	One and Two Door, Free-Standing Disconnect on Right Flange	18.13	16.63 (2)
		20.13	18.63 (2)
		24.13	22.63 (2)
A28M1	Three, Four, Five, and Six Door Free-Standing Disconnect on Right Flange	18.13	15.63
		24.13	21.63 (2)
A34Y	One and Two Door Modular Free-Standing Disconnect on Right Flange	18.13	15.63
		24.13	21.63 (2)

1) This dimension is used to determine length to cut Cutler-Hammer connecting rods. See Cutler-Hammer instructions

2) This dimension may be greater than the depth range of standard Cutler-Hammer connecting rods. A six inch platform is provided with 24.13 inch deep enclosures to reduce the depth for disconnect mounting. The platform can be eliminated if longer connecting rods are ordered from Cutler-Hammer. (C371-CS1 or C371-CS2)

INTRODUCTION

This installation instruction is for Cutler–Hammer C361, C371 (variable depth) mechanisms. These mechanisms are for disconnect switches and circuit breakers mounted in Hoffman two door, floor-mounted Bulletin A21 enclosures with the disconnect on the centerpost.



INSTALLATION STEPS

Step 1 – Install Mounting plate (item 1) and plate gasket (item 2) on the inside of the enclosure, behind the rectangular opening provided in the centerpost. Secure in place with four screws (item 3).

Step 2 – Discard the Cutler–Hammer spring bracket which is normally installed inside the enclosure flange behind the C–H handle mechanism.

Step 3 – Assemble the Cutler–Hammer handle mechanism to the mounting plate which was installed in the enclosure in step 1. Omit cap screw and lockwasher which fits into bottom hole of operating handle.

Step 4 – Cut 2 1/2” off bottom end of slide arm (item 4). (bottom end has rectangular holes only)

Step 5 – Install the slide arm (item 4) over the defeater part of the handle assembly (on C–H handle mechanism) with notch toward door opening, as shown. Place the smaller diameter end of the shoulder collar (item 5) through the oval slot in the slide arm. Install long cap screw (item 6) with lockwasher (item 7) through shoulder collar into the bottom mounting hole of the C–H handle mechanism and tighten. The slide arm and defeater should move up and down smoothly. Install door hasp (C–H part) per Cutler–Hammer instructions.

Step 6 – Attach the bottom of the slide arm (item 4) to the offset arm of the lock release mechanism. Use two flat washers (item 8), two lockwashers (item 9), and two hex nuts (item 10). Do not tighten until parts are adjusted.

Step 7 – Adjust the length of the slide arm assembly. With proper adjustment of the slide arm, the safety lock (on Cutler–Hammer handle mechanism) should release just before the master door is fully latched. Lengthen slide arm if safety lock releases too soon. Shorten slide arm if safety lock releases too late.

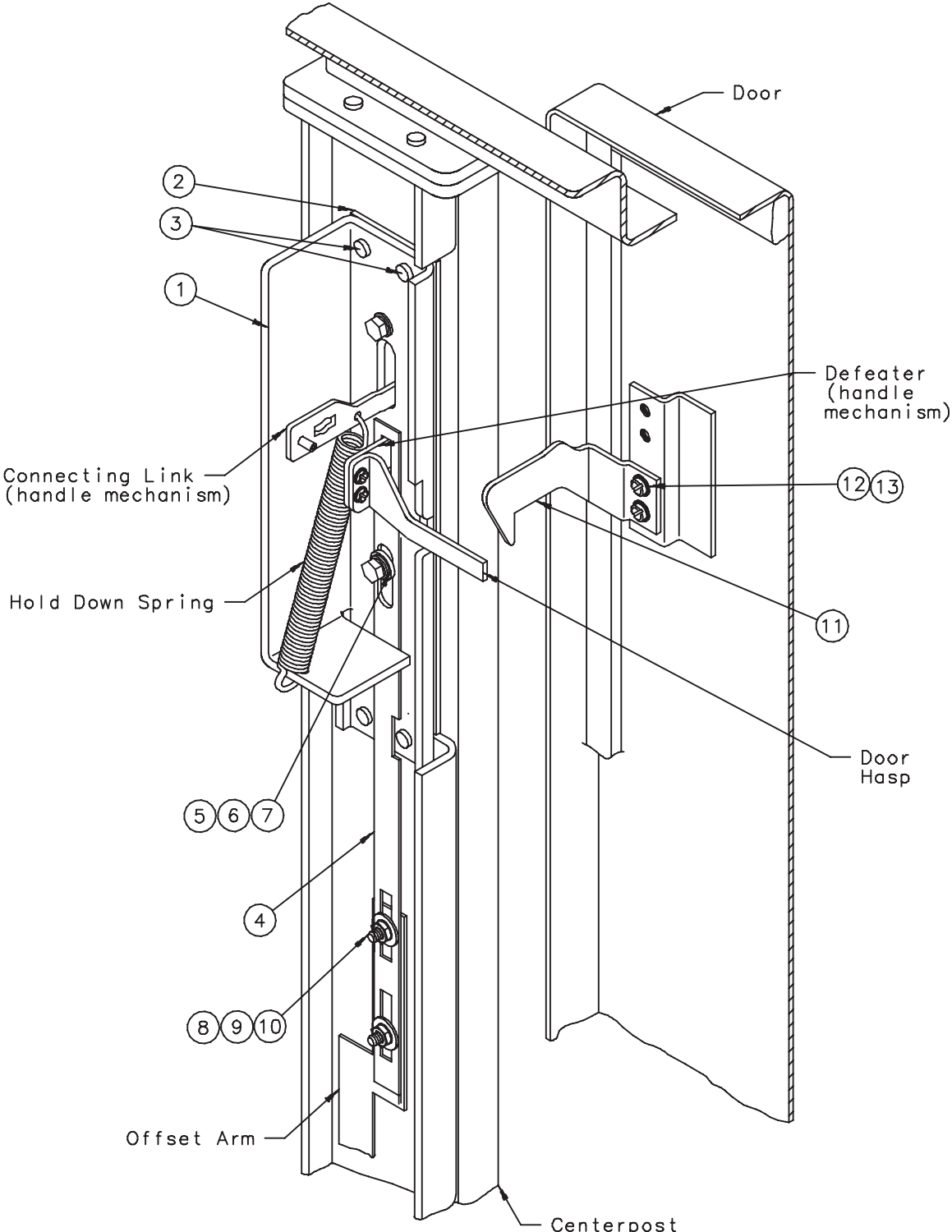
Step 8 – Attach the door catch (item 11), provided by Hoffman, to the tapped spacer on the door using the bottom set of mounting holes. Use two screws (item 12) and lockwashers (item 13). The door catch prevents the door from being opened when the handle mechanism is in the “ON” position. The door catch may be easily bent up or down to hook properly on the door hasp of the Cutler–Hammer handle mechanism.

Step 9 – Drill and tap holes in panel as shown in diagram and table 1. See Cutler–Hammer instructions for locating extra holes for fuse clips.

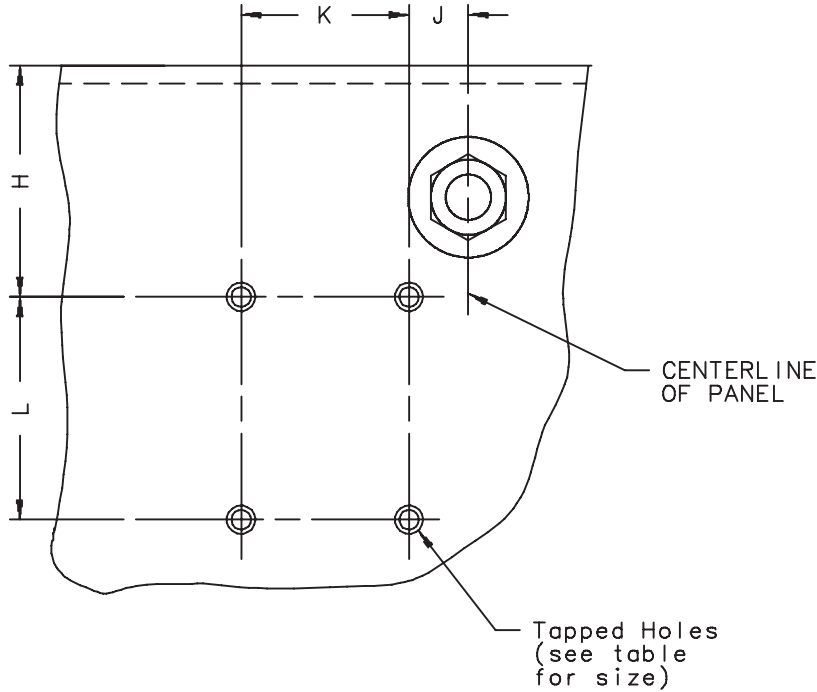
Step 10 – Mount switch or circuit breaker using Cutler–Hammer instructions and parts. Cutler–Hammer connecting rod assembly must be cut off per Cutler–Hammer instructions. See table 2 for depth dimensions used to determine length of rod.

*** NOTE: Optional channel support kit, Cutler–Hammer C371–CS6, is recommended when installing 600 AMP circuit breakers in 72 1/8” high enclosures.**

For Floor-Mounted, Two Door Enclosures With Disconnect on Centerpost

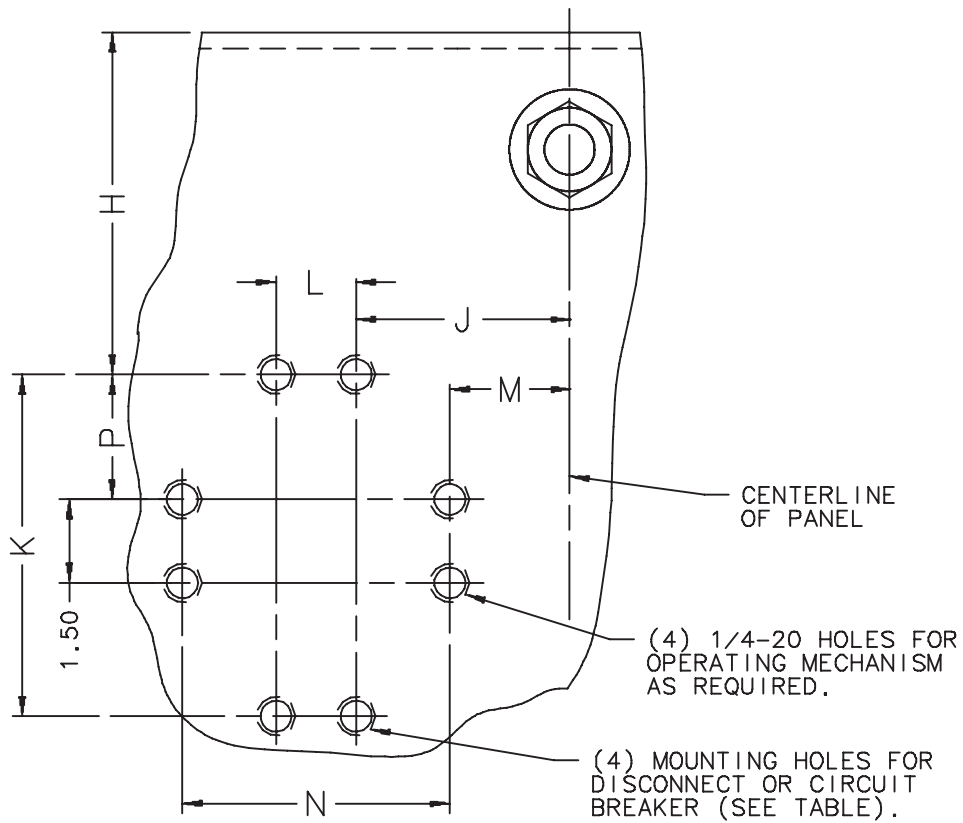


For Floor-Mounted, Two Door Enclosures With Disconnect on Centerpost



Hole Pattern For Disconnect Switch	Size
C361NC/C361SC	30 AMP.
C361ND/C361SD	60 AMP.
C361NE/C361SE	100 AMP.
C361NF/C361SF	200 AMP.

For Floor-Mounted, Two Door Enclosures With Disconnect on Centerpost



Hole Pattern For Circuit Breaker	Frame Size
HMCP, FS, FH, EHD FDB, FD, HFD	150 AMP.
HMCP, JS, JH, JL, JD, JDB, HJD, JDC	250 AMP.
HMCP, HK, KS, KD, DK, KDB, HKD	400 AMP.
LH, LS, LC	600 AMP.

For Floor-Mounted, Two Door Enclosure With Disconnect on Centerpost

TABLE 1										
Circuit Breaker or Disconnect Switch	Frame Size	H 60.12" HIGH	H 72.12" HIGH	J	K	L	M	N	P	Size of Mounting Holes
C361NC (30A)	----	4.250	10.250	3.781	4.000	7.125	----	----	----	10-32 UNF
C361SC (30A)	----	4.250	10.250	3.781	4.000	9.750	----	----	----	10-32 UNF
C361ND (60A)	----	4.250	10.250	3.781	4.000	7.125	----	----	----	10-32 UNF
C361SD (60A)	----	4.250	10.250	3.781	4.000	9.750	----	----	----	10-32 UNF
C361NE (100A)	----	4.063	10.063	3.656	5.500	7.125	----	----	----	10-32 UNF
C361SE (100A)	----	4.063	10.063	3.656	5.500	11.875	----	----	----	10-32 UNF
C361NF (200A)	----	DO NOT INSTALL	8.469	2.125	8.500	15.500	----	----	----	5/16-18 UNC
C361SF (200A)	----	DO NOT INSTALL	8.469	2.125	8.500	15.500	----	----	----	5/16-18 UNC
HMCP, FS, FH, EHD, FDB, FD, HFD	150A	6.484	12.484	3.922	4.500	1.375	----	----	----	8-32 UNC
JS, JH, JL	250A	6.438	12.438	4.438	7.250	1.375	1.610	6.948	2.750	10-32 UNF
HMCP	250A	6.438	12.438	4.438	7.250	1.375	1.610	6.948	2.750	1/4-20 UNC
KH, KS, DK, KDB, KD, HKD, KDC	400A	6.000	12.000	4.266	8.438	1.719	1.610	6.948	3.180	1/4-20 UNC
HMCP	400A	6.000	12.000	4.266	8.438	1.719	1.610	6.948	4.000	1/4-20 UNC
LH, LS, LC	600A	DO NOT INSTALL	10.094	5.188	9.53	2.750	1.532	10.050	4.320	1/4-20 UNC

TABLE 2			
Bulletin	Hoffman Disconnect Enclosure Description	Enclosure Depth C	Cutler-Hammer D (1)
A21	Two Door, Floor-Mounted Disconnect on Right Flange	12.13	10.63
		18.13	16.63 (2)
		24.13	22.63 (2)

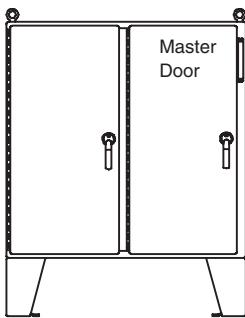
1) This dimension is used to determine length to cut Cutler-Hammer connecting rods. See Cutler-Hammer instructions

2) This dimension may be greater than the depth range of standard Cutler-Hammer connecting rods. A six inch platform is provided with 24.13 inch deep enclosures to reduce the depth for disconnect mounting. The platform can be eliminated if longer connecting rods are ordered from Cutler-Hammer. (C371-CS1 or C371-CS2)

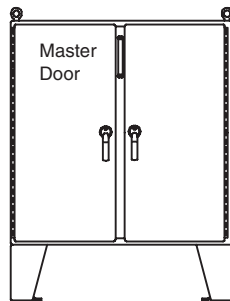
INTRODUCTION

This installation instruction is for Cutler–Hammer C371 Flex Shaft™ (flexible cable) mechanisms. These mechanisms are for circuit breakers mounted in Hoffman Bulletin A21, A28M1, and A34Y disconnect enclosures.

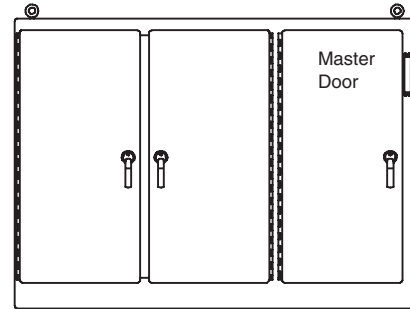
Two door enclosure with disconnect on right flange



Two door enclosure with disconnect on centerpost



One through six door enclosure with disconnect on right flange



INSTALLATION STEPS

Step 1 – Install mounting plate (item 15) and plate gasket (item 2) on the inside of the enclosure, behind the rectangular opening provided. Secure in place with four screws (item 3).

Step 2 – Assemble the Cutler–Hammer Flex Shaft™ handle mechanism and cable toggle mechanism to the mounting plate which was installed in the enclosure in step 1. Omit cap screw and lockwasher which fits into bottom hole of Cutler–Hammer handle mechanism.

Step 3 – Modify slide arm (item 4) only if it is being installed in an enclosure with disconnect on centerpost. (cut 2.5 inches off the bottom end of slide arm. Bottom end has rectangular holes only)

Step 4 – Install the slide arm (item 4) over the defeater part of the handle assembly (on C–H handle mechanism) with notch toward door opening, as shown. Place the smaller diameter end of the shoulder collar (item 5) through the oval slot in the slide arm. Install long cap screw (item 6) with lockwasher (item 7) through shoulder collar into the bottom mounting hole of the C–H handle mechanism and tighten. The slide arm and defeater should move up and down smoothly. Install door interlock lever (C–H part) per Cutler–Hammer instructions.

Step 5 – Attach the bottom of the slide arm (item 4) to the offset arm of the lock release mechanism. Use two flat washers (item 8), two lockwashers (item 9), and two hex nuts (item 10). Do not tighten until parts are adjusted. (see step 6B)

Step 6 – The handle safety lock release mechanism is adjustable.

(A) Check the adjustment of the factory installed roller bracket on enclosures with disconnect on right flange. The door latch should hit against the latch stop portion of the roller bracket when the door is closed and latched. Adjust up or down if necessary. The attached mechanism will then provide the necessary up–down motion required to operate the release mechanism.

(B) Adjust the length of the slide arm assembly. With proper adjustment of the slide arm, the safety lock (on Cutler–Hammer handle mechanism) should release just before the master door is fully latched. Lengthen slide arm if safety lock releases too soon. Shorten slide arm if safety lock releases too late.

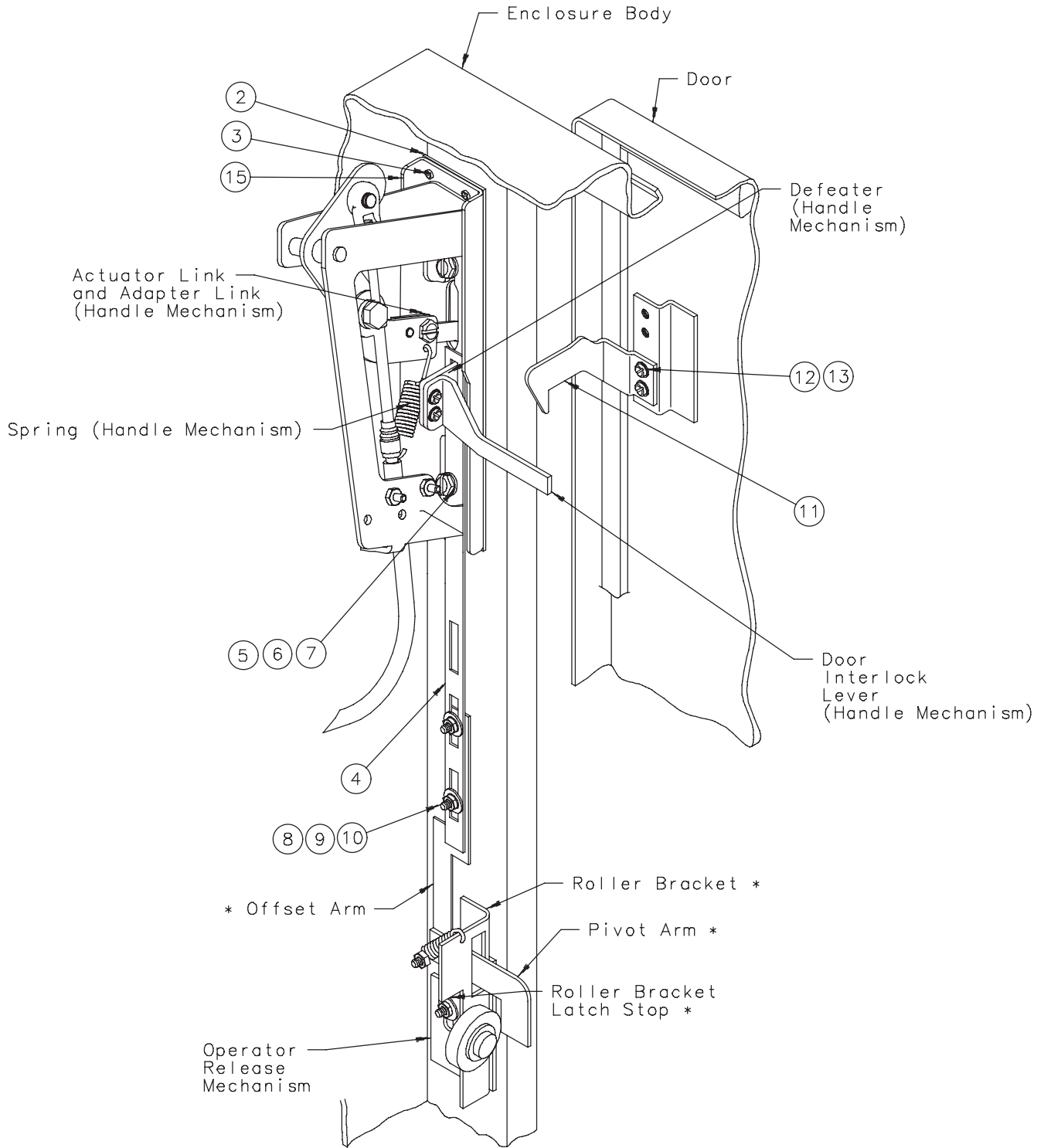
Step 7 – Attach the door catch (item 11), provided by Hoffman, to the tapped spacer on the door using the bottom set of mounting holes. Use two screws (item 12) and lockwashers (item 13). The door catch prevents the door from being opened when the handle mechanism is in the “ON” position. The door catch may be easily bent up or down to hook properly on the door interlock lever of the Cutler–Hammer handle mechanism.

Step 8 – Assemble the C–H linkage between outer handle assembly and the toggle mechanism (inside). See C–H Flex Shaft™ instructions

Step 9 – Drill and tap holes in panel as shown in diagram and table. See Cutler–Hammer instructions for locating holes.

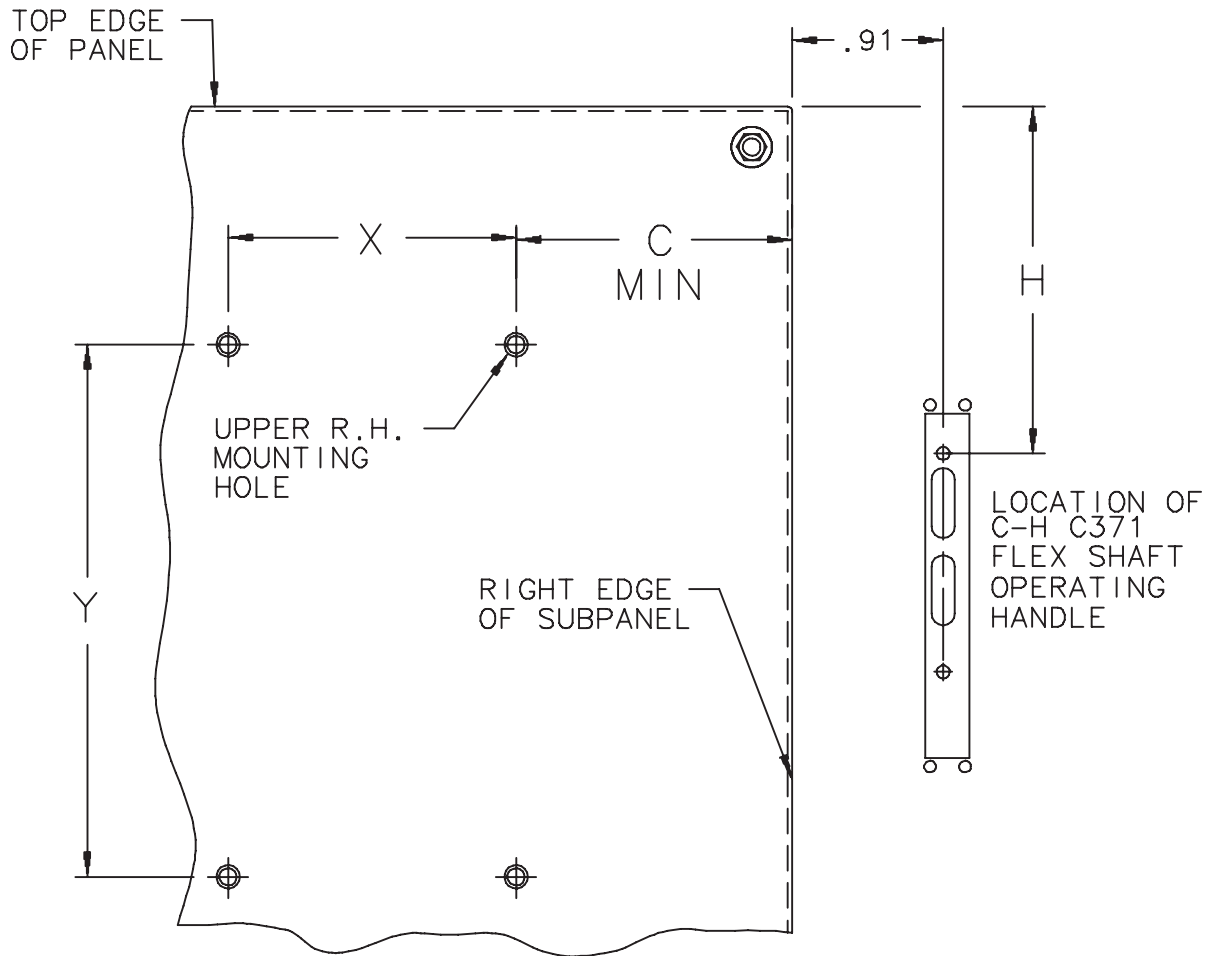
Step 10 – Mount circuit breaker and actuator mechanism using Cutler–Hammer Flex Shaft™ instructions and parts.

For Floor-Mounted, Two Door Enclosures With Disconnect on Right Flange
 For Floor-Mounted, Two Door Enclosures With Disconnect on Centerpost
 For One Through Six Door, Free-Standing Enclosures With Disconnect on Right Flange

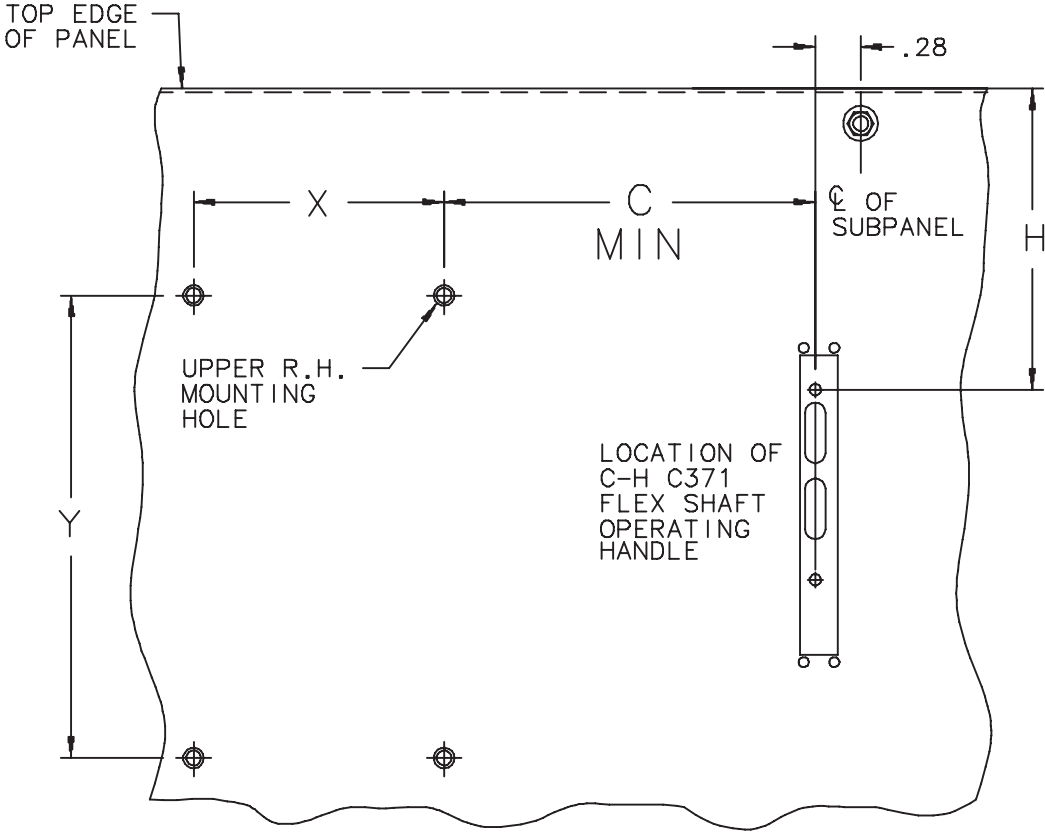


* Parts of lock release mechanism

For Floor-Mounted, Two Door Enclosures With Disconnect on Right Flange
For One Through Six Door, Free-Standing Enclosures With Disconnect on Right Flange



For Floor-Mounted, Two Door Enclosures With Disconnect on Centerpost



For Floor-Mounted, Two Door Enclosures With Disconnect on Right Flange
 For Floor-Mounted, Two Door Enclosures With Disconnect on Centerpost
 For One Through Six Door, Free-Standing Enclosures With Disconnect on Right Flange

TABLE 1 Subpanel Drilling				
Circuit Breaker Frame Size	Hole Size	X	Y	C_{min}
F	8-32	1.375	4.500	1.38
J	1/4-20	1.375	7.250	1.38
K	1/4-20	1.719	8.438	1.88

TABLE 2 Location of Disconnect Operating Handle			
Bulletin	Hoffman Disconnect Enclosure Description	Enclosure Height	H
A21	Two Door Floor-Mounted Disconnect on Right Flange	60.13	5.81
		72.13	11.81
A21	Two Door Floor-Mounted Disconnect on Centerpost	60.13	5.81
		72.13	11.81
A28M1	One Through Six Door Modular Free-Standing Disconnect on Right Flange	72.13	7.81
		84.13	13.81
		90.13	16.81
A34Y	One and Two Door Modular Free-Standing Disconnect on Right Flange	84.13	13.81
		90.13	16.81



HOFFMAN



HOFFMAN