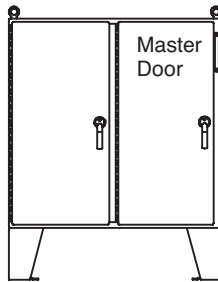


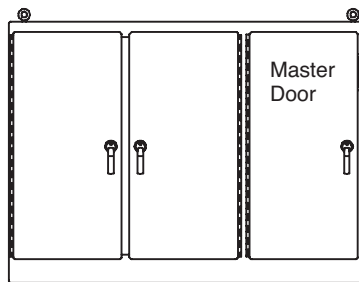
OPERATOR ADAPTER A21ITE

Installation Instructions for I-T-E MAX-FLEX™
 (For parts list, see page 2)

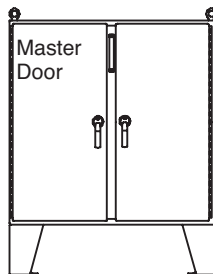
For floor-mounted enclosures with disconnect
 on the right flange, see pages 3–6



For one through six door free-standing enclosures with
 the disconnect on the right flange, see pages 3–6



For floor-mounted enclosures with the disconnect
 on the centerpost, see pages 7–10



⚠ WARNING

The functions, fits, and clearances of the installation described hereon are calculated from information supplied by the manufactures of the equipment to be installed. Be certain to check the function, fits, and clearances of all equipment both before and after installation to assure that is operates properly and safely and meets all applicable codes, standards, and regulations.

In the event the completed installation does not function properly or fails to meet any such codes, standards, or regulations, do not attempt to make alterations or operate the equipment. Report such facts immediately to:

Hoffman Customer Service
 2100 Hoffman Way
 Anoka, MN 55303
 763 422 2211
<http://hoffman.nvent.com/contact-us>

PARTS LIST

Operator Adapter, Catalog Number A21ITE, for I-T-E MAX-FLEX Disconnects

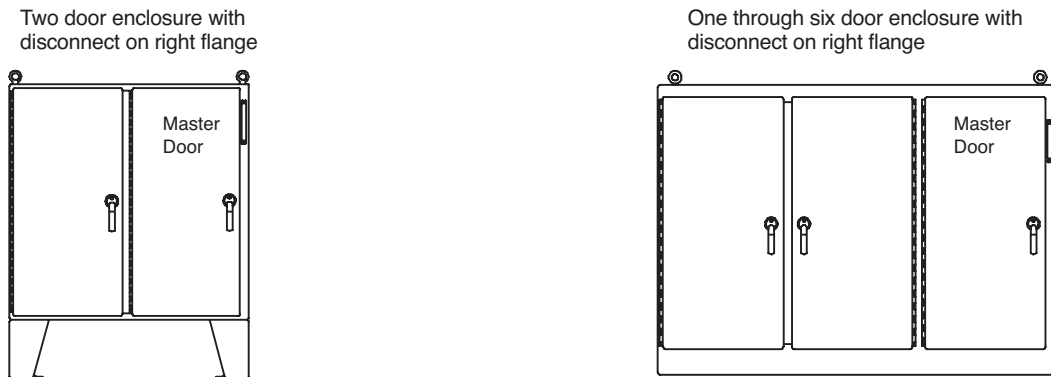
Item No	Part Name	Part No	Quantity
1 ‡	Adapter Plate for FHOH and FHOHS	27206002	1
2	Gasket, Plate	26216011	1
3	Screw, 1/4-20x1/2 Pan HD	99401031	4
4 ‡	Slide Arm	26250001	1
5 ‡	Shoulder Collar	26149001	1
6 ‡	Screw, 1/4-20x7/8 Hex HD	99401030	1
7 ‡	Lockwasher, 1/4 Spring	99401318	1
8	Washer, Flat	22101003	2
9	Lockwasher, 1/4 Int.	99401300	2
10	Nut, 1/4-20 Hex	99401406	2
11	Door Catch	23101002	1
12	Screw, 10-32x3/8 Pan HD	99401007	2
13	Lockwasher, #10 Int	99401307	2
14	Label, (extra)	26147001	1
15 ‡	Adapter Plate for FHON	27317001	1
16 ‡	Slide Arm	27217001	1
17 ‡	Shoulder Collar	27112001	1
18 ‡	Screw, 5/16-18x1 Hex HD	99401081	1
19 ‡	Lockwasher, 5/16 Spring	99401305	1
20	Installation Instruction	87415679	1

‡ These parts are for the smaller ITE flange handle.
 (FHOHS for disconnect switches) (FHOH for circuit breakers)

† These parts are for the larger ITE flange handle (FHOHN) used only with large circuit breakers.

INTRODUCTION

This installation instruction is for I-T-E MAX-FLEX™ mechanisms. These mechanisms are for disconnect switches and circuit breakers mounted in Hoffman two door, floor-mounted and one through six door, free-standing enclosures with the disconnect on the right flange.



INSTALLATION STEPS

Step 1 – Install adapter plate (item 1 or 15) and plate gasket (item 2) on the inside of the enclosure, behind the rectangular opening provided. Secure in place with four screws (item 3).

Step 2 – Assemble the I-T-E operating handle to the mounting plate which was installed in the enclosure in step 1. Omit cap screw and lockwasher which fits into bottom hole of I-T-E operating handle.

Step 3 – Install the slide arm (item 4 or 16) over the interlock lever part of the I-T-E operating handle, as shown. Note that the notch in the slide arm is positioned toward the door opening. Place the smaller diameter end of the shoulder collar (item 5 or 17) through the oval slot in the slide arm. Install long cap screw (item 6 or 18) with lockwasher (item 7 or 19) through shoulder collar into the bottom mounting hole of the I-T-E operating handle and tighten. The slide arm should move up and down smoothly. Install interlock lever extension per I-T-E instructions.

Step 4 – Attach the bottom of the slide arm to the offset arm of the lock release mechanism. Use two flat washers (item 8), two lockwashers (item 9), and two hex nuts (item 10). Do not tighten until parts are adjusted. (see step 5B)

Step 5 – The handle safety lock release mechanism is adjustable in two places.

(A) Check the adjustment of the factory installed roller bracket. The door latch should hit against the latch stop portion of the roller bracket when the door is closed and latched. Adjust up or down if necessary. The attached mechanism will then provide the necessary up-down motion required to operate the release mechanism in the I-T-E operating handle.

(B) Adjust the length of the slide arm assembly. With proper adjustment of the slide arm, the safety lock (in I-T-E operating handle) should release just before the master door is fully latched. Lengthen slide arm if safety lock releases too soon. Shorten slide arm if safety lock releases too late.

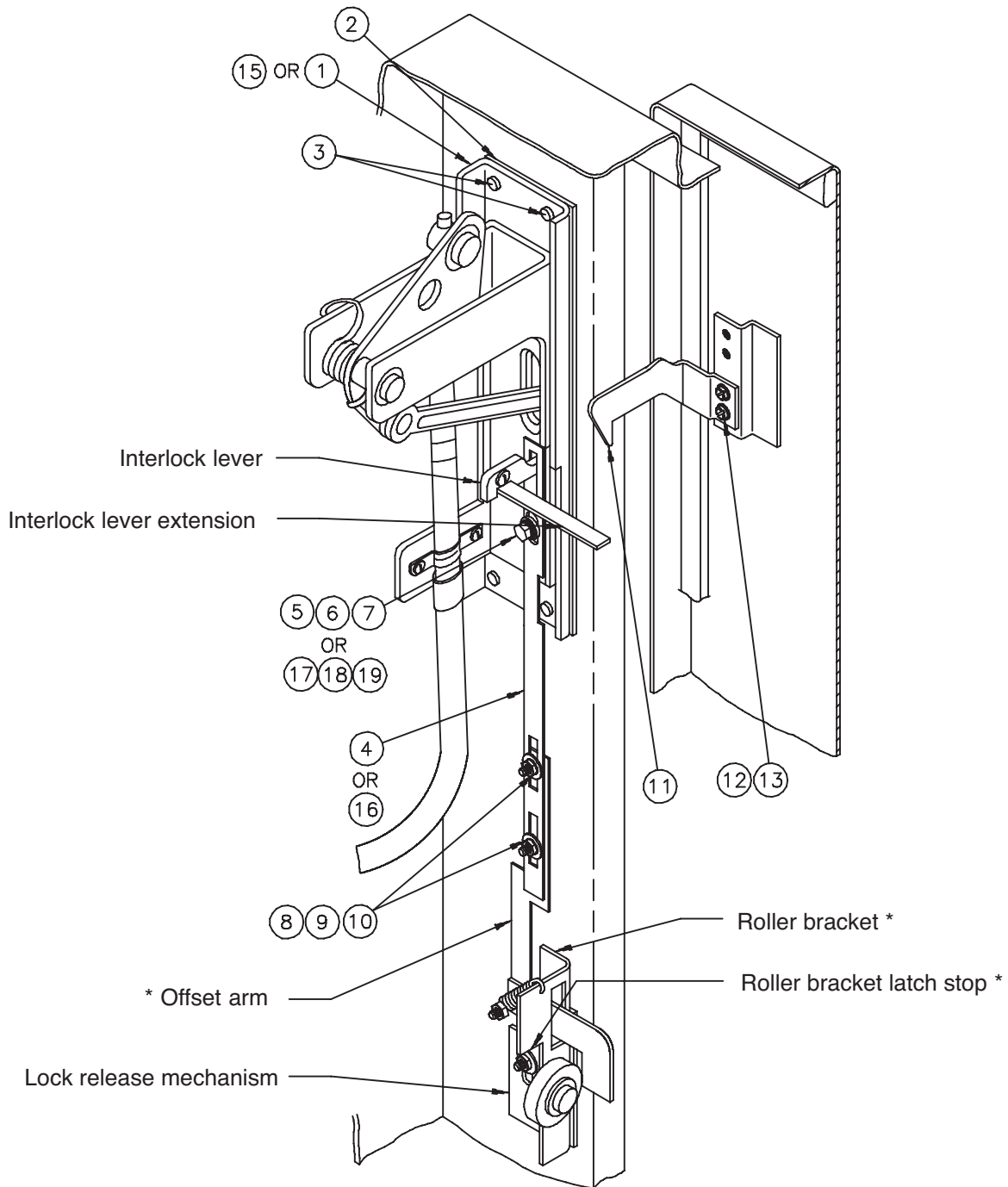
Step 6 – Attach the door catch (item 11), provided by Hoffman, to the tapped spacer on the door using the bottom set of mounting holes. Use two screws (item 12) and lockwashers (item 13). The door catch prevents the door from being opened when the I-T-E operating handle is in the “ON” position. The door catch may be adjusted up or down to hook properly on the interlock blade. The door catch (item 11) must be positioned so it just clears the top of the interlock lever extension when the I-T-E operating handle is in extreme “OFF” position.

Step 7 – Drill and tap holes in panel as shown in diagram and table. Disconnect can be located anywhere within reach of cable length being used. See I-T-E instructions.

Step 8 – Install panel on collar studs in enclosure.

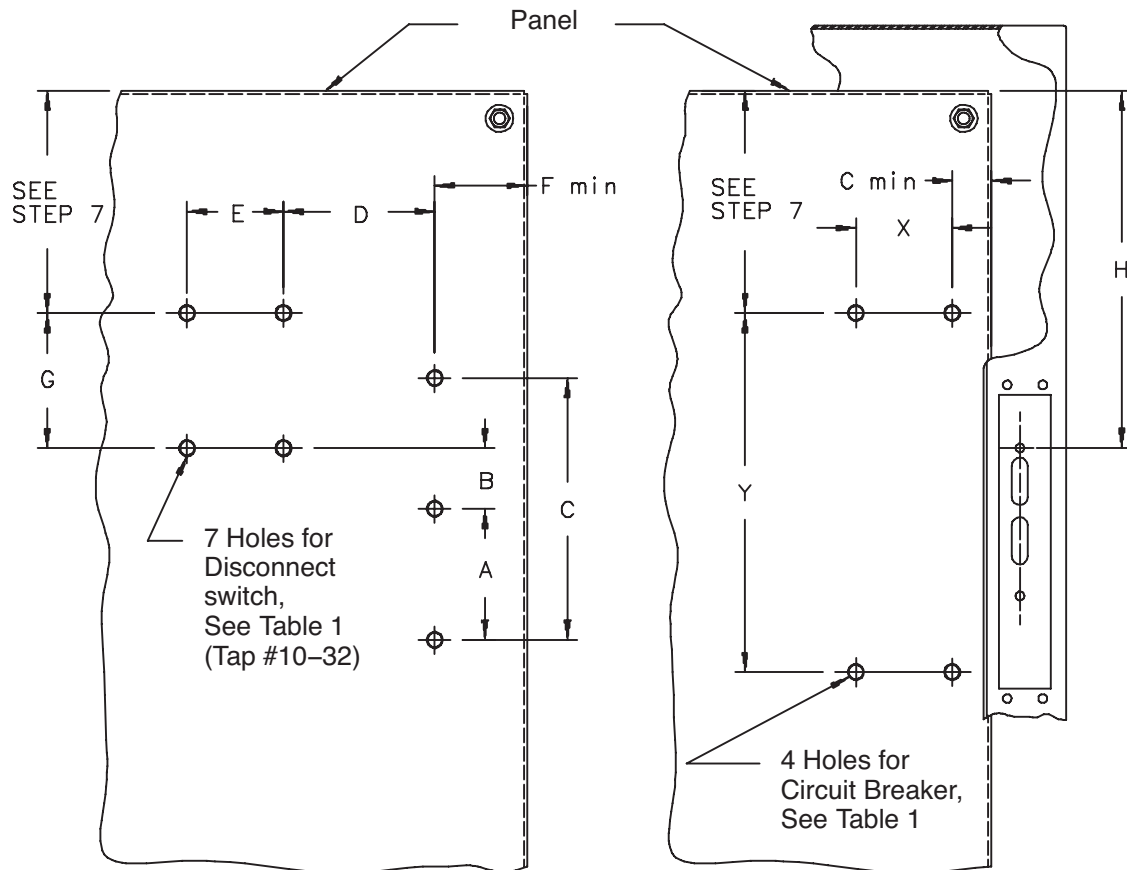
Step 9 – Mount disconnect switch or circuit breaker and operating mechanism on panel using I-T-E instructions and parts.

For Two Door, Floor-Mounted and One Through Six Door,
Free-Standing Enclosures With Disconnect on Right Flange



* Parts of lock release mechanism

For Two Door, Floor-Mounted and One Through Six Door,
Free-Standing Enclosures With Disconnect on Right Flange



For Two Door, Floor-Mounted and One Through Six Door, Free-Standing
Enclosures With Disconnect on Right Flange

TABLE 1 Sub-Panel Drilling For Disconnect Switches									
I-T-E* MECHANISM	FITS DISCONNECT DEVICE	NO. OF HOLES	A	B	C	D	E	F _{MIN}	G
FHOS06036R	30 A SW.	4 & 3	2.00	1.69	5.10	2.88	1.50	.66	1.89
FHOS06036R	60 A SW.	4 & 3	2.00	1.69	5.10	2.88	1.50	.66	1.89
FHOS06036R	100 A SW.	4 & 3	2.00	.82	5.10	3.21	1.81	.66	3.00
FHOS20036R	200 A SW.	4 & 3	2.50	-1.00	5.50	1.00	7.86	.62	5.44

TABLE 1 Sub-Panel Drilling For Circuit Breakers					
I-T-E* MECHANISM	No. of Holes	Mtg. Hole Size	X	Y	C _{min}
FHOE036	4	8-32	1.00	5.00	1.00
FHOF036	4	1/4-20	1.50	7.50	1.50
FHOJ036	4	1/4-20	2.50	9.75	2.50
FHOLM036	4	1/4-20	2.50	9.75	2.50
FHON048	4	3/8-16	3.00	14.25	3.50

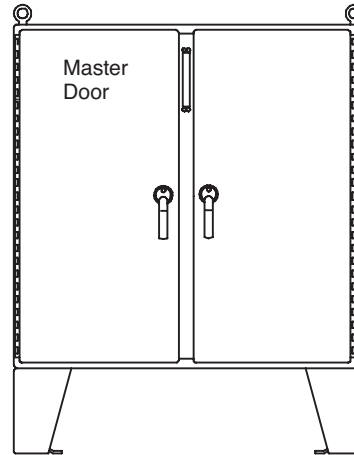
* These mechanisms include 36" (or 48") operating cables. If longer cables are needed, order I-T-E components separately.

TABLE 2 Location of Disconnect Operating Handle			
Hoffman Disconnect Enclosure Description	Enclosure Height	H	H*
Two Door Floor-Mounted Disconnect on Centerpost	60.13	5.81	4.36
	72.13	11.81	10.36
One Through Six Door Free-Standing Disconnect on Right Flange	72.13	7.81	6.36
	84.13	13.81	12.36
	90.13	16.81	15.36
One and Two Door Modular Free-Standing Disconnect on Right Flange	84.13	13.81	12.36
	90.13	16.81	15.36

* This "H" dimension is for the large I-T-E handle number FHOHN only.

INTRODUCTION

This installation instruction is for I-T-E MAX-FLEX™ mechanisms. These mechanisms are for disconnect switches and circuit breakers mounted in Hoffman two door, floor-mounted enclosures with the disconnect on the centerpost.



INSTALLATION STEPS

Step 1 - Install adapter plate (item 1 or 15) and plate gasket (item 2) on the inside of the enclosure, behind the rectangular opening provided in the centerpost. Secure in place with four screws (item 3).

Step 2 - Assemble the I-T-E operating handle to the mounting plate which was installed in the enclosure in step 1. Omit cap screw and lockwasher which fits into bottom hole of I-T-E operating handle.

Step 3 - Cut 2 1/2" off bottom end of slide arm (item 4 or 16). (bottom end has rectangular holes only)

Step 4 - Install the slide arm (item 4) over the interlock lever part of the I-T-E operating handle, as shown. Place the smaller diameter end of the shoulder collar (item 5) through the oval slot in the slide arm. Note that the notch in the slide arm is positioned toward the door opening. Place the smaller diameter end of the shoulder collar (item 5 or 17) through the oval slot in the slide arm. Install long cap screw (item 6 or 18) with lockwasher (item 7 or 19) through shoulder collar into the bottom mounting hole of the I-T-E operating handle and tighten. The slide arm should move up and down smoothly. Install interlock lever extension per I-T-E instructions.

Step 5 - Attach the bottom of the slide arm to the offset arm of the lock release mechanism. Use two flat washers (item 8), two lockwashers (item 9), and two hex nuts (item 10). Do not tighten until parts are adjusted.

Step 6 - Adjust the length of the slide arm assembly. With proper adjustment of the slide arm, the safety lock (in I-T-E operating handle) should release just before the master door is fully latched. Lengthen slide arm if safety lock releases too soon. Shorten slide arm if safety lock releases too late.

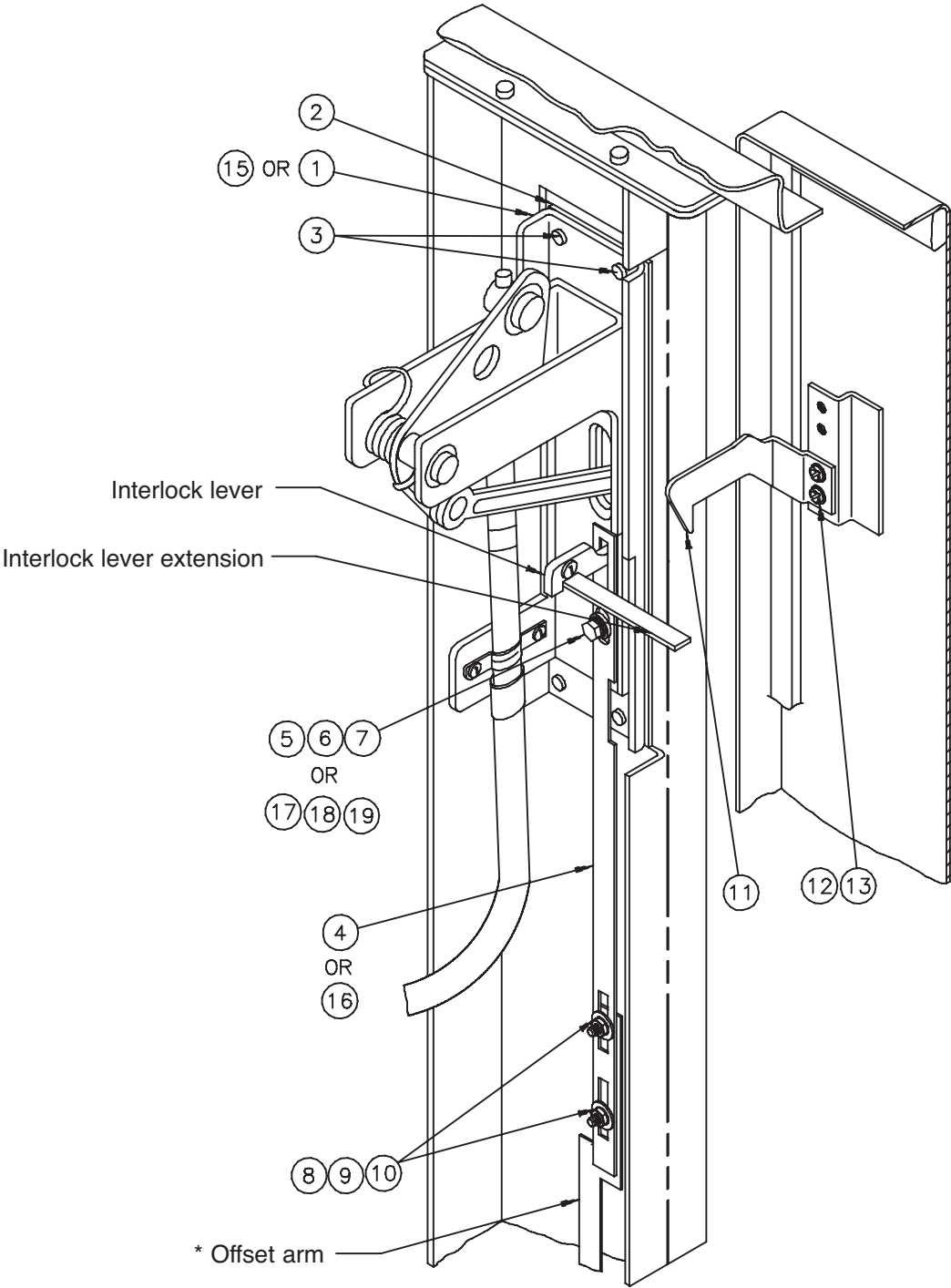
Step 7 - Attach the door catch (item 11), provided by Hoffman, to the tapped spacer on the door using the bottom set of mounting holes. Use two screws (item 12) and lockwashers (item 13). The door catch prevents the door from being opened when the I-T-E operating handle is in the "ON" position. The door catch may be adjusted up or down to hook properly on the interlock blade. The door catch (item 11) must be positioned so it just clears the top of the interlock lever extension when the I-T-E operating handle is in extreme "OFF" position.

Step 8 - Drill and tap holes in panel as shown in diagram and table. Disconnect can be located anywhere within reach of cable length being used. See I-T-E instructions.

Step 9 - Install panel on collar studs in enclosure.

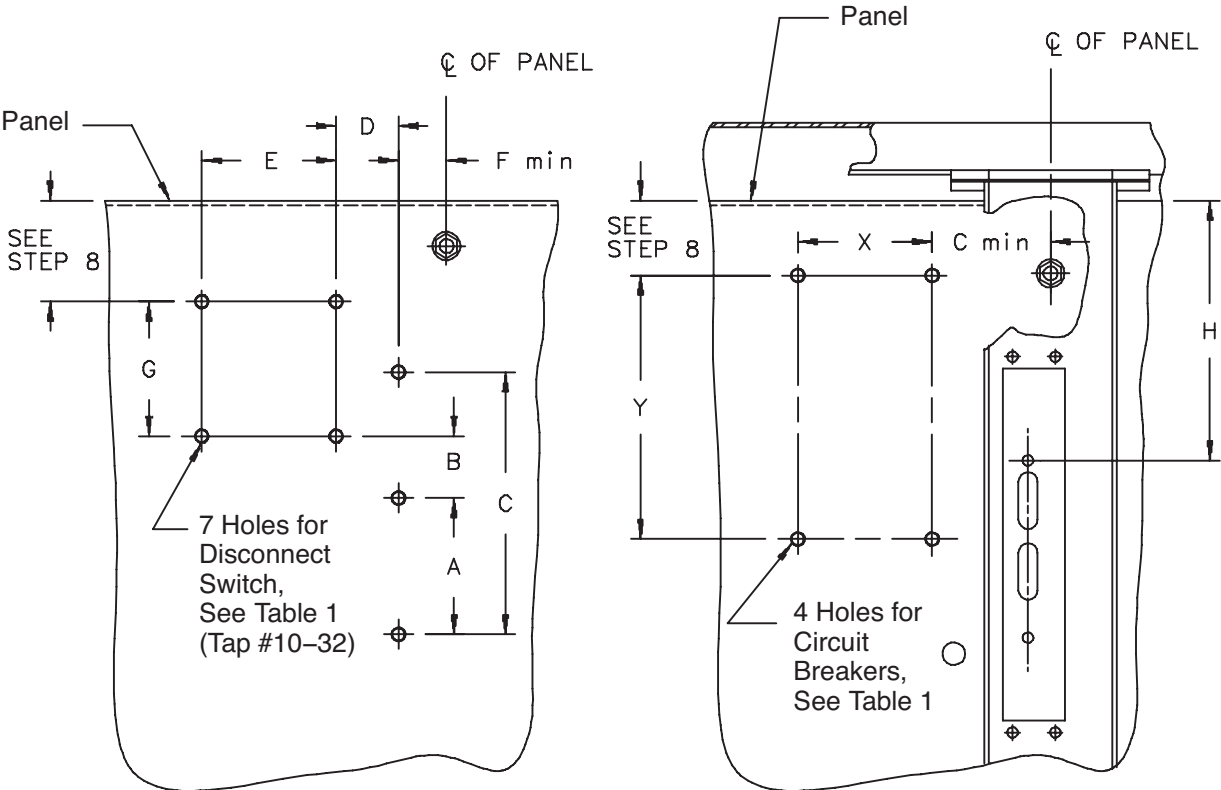
Step 10 - Mount disconnect switch or circuit breaker and operating mechanism on panel using I-T-E instructions and parts.

For Two Door, Floor-Mounted Enclosures With Disconnect on Centerpost



* Parts of lock release mechanism

For Two Door, Floor-Mounted Enclosures With Disconnect on Centerpost



For Two Door, Floor-Mounted Enclosures With Disconnect on Centerpost

TABLE 1 Sub-Panel Drilling For Disconnect Switches									
I-T-E* MECHANISM	FITS DISCONNECT DEVICE	NO. OF HOLES	A	B	C	D	E	F _{MIN}	G
FHOS06036R	30 A SW.	4 & 3	2.00	1.69	5.10	2.88	1.50	.66	1.89
FHOS06036R	60 A SW.	4 & 3	2.00	1.69	5.10	2.88	1.50	.66	1.89
FHOS06036R	100 A SW.	4 & 3	2.00	.82	5.10	3.21	1.81	.66	3.00
FHOS20036R	200 A SW.	4 & 3	2.50	-1.00	5.50	1.00	7.86	.62	5.44

TABLE 1 Sub-Panel Drilling For Circuit Breakers					
I-T-E* MECHANISM	No. of Holes	Mtg. Hole Size	X	Y	C _{min}
FHOE036	4	8-32	1.00	5.00	1.00
FHOF036	4	1/4-20	1.50	7.50	1.50
FHOJ036	4	1/4-20	2.50	9.75	2.50
FHOLM036	4	1/4-20	2.50	9.75	2.50
FHON048	4	3/8-16	3.00	14.25	3.50

* These mechanisms include 36" (or 48") operating cables. If longer cables are needed, order I-T-E components separately.

TABLE 2 Location of Disconnect Operating Handle			
Hoffman Disconnect Enclosure Description	Enclosure Height	H	H*
Two Door Floor-Mounted Disconnect on Centerpost	60.13	5.81	4.36
	72.13	11.81	10.36

* This "H" dimension is for the large I-T-E handle number FHOHN only.



HOFFMAN



HOFFMAN