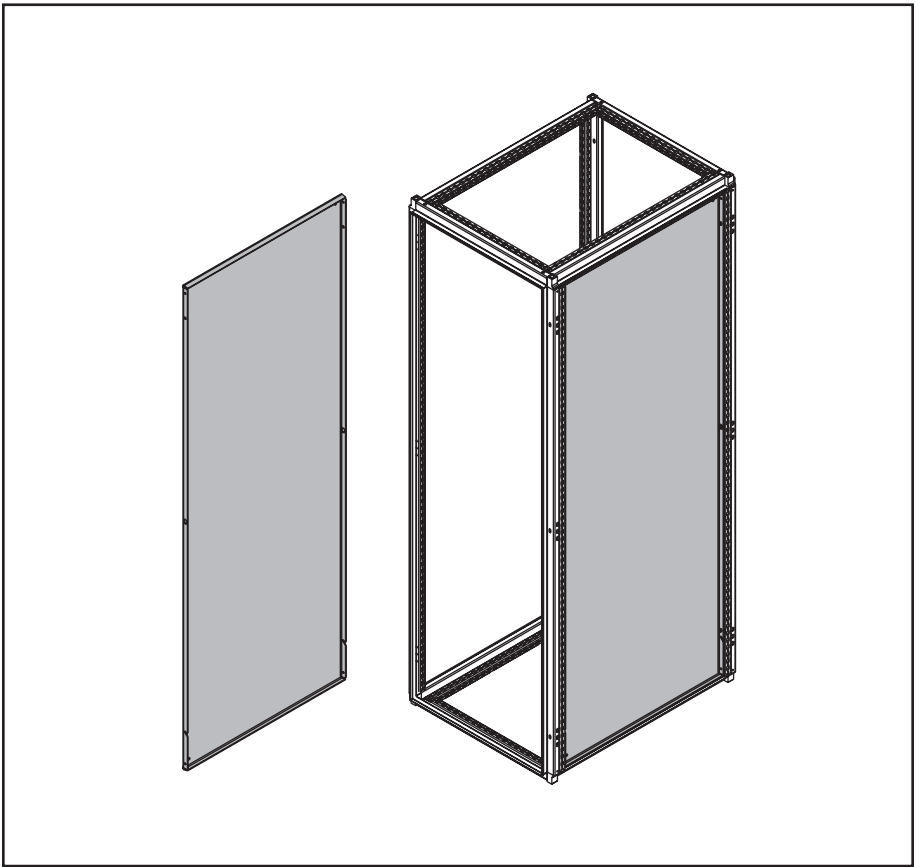
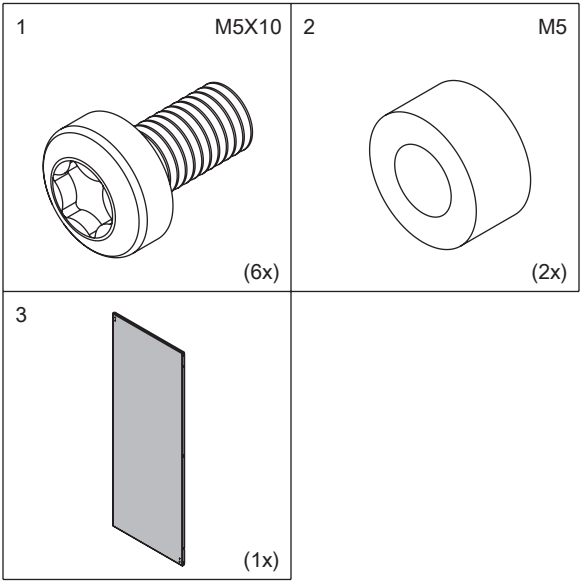


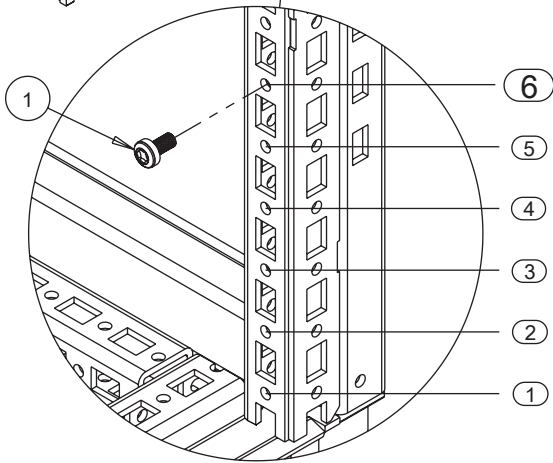
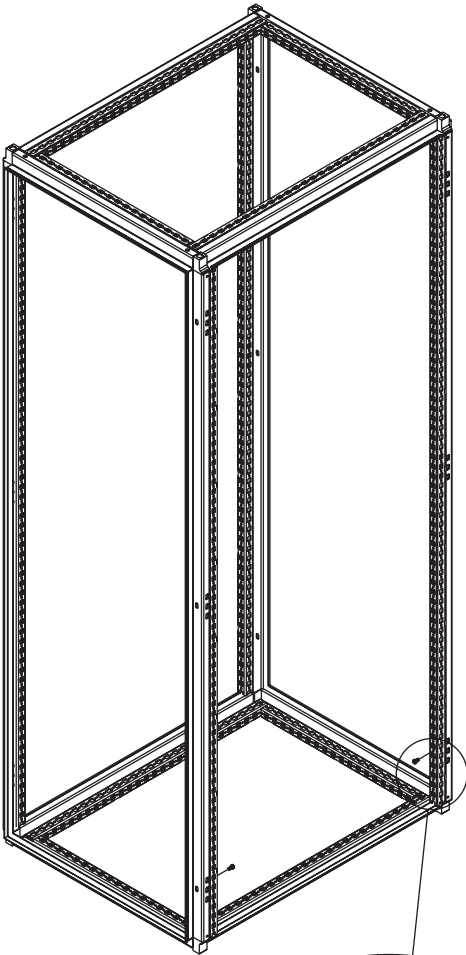


HOFFMAN

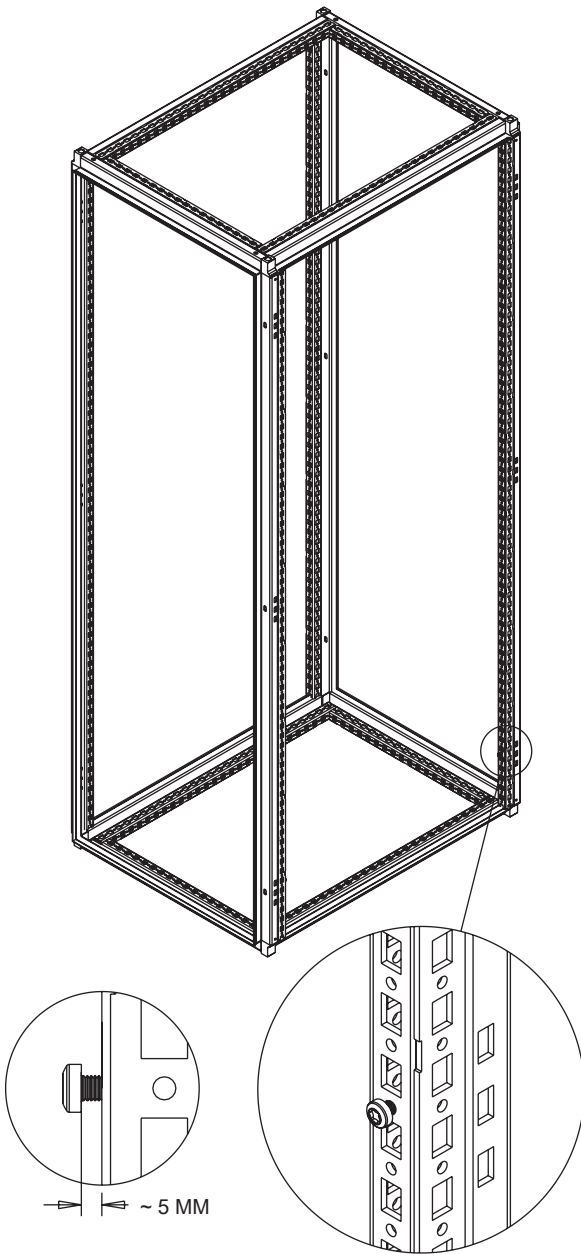
PROLINE G2



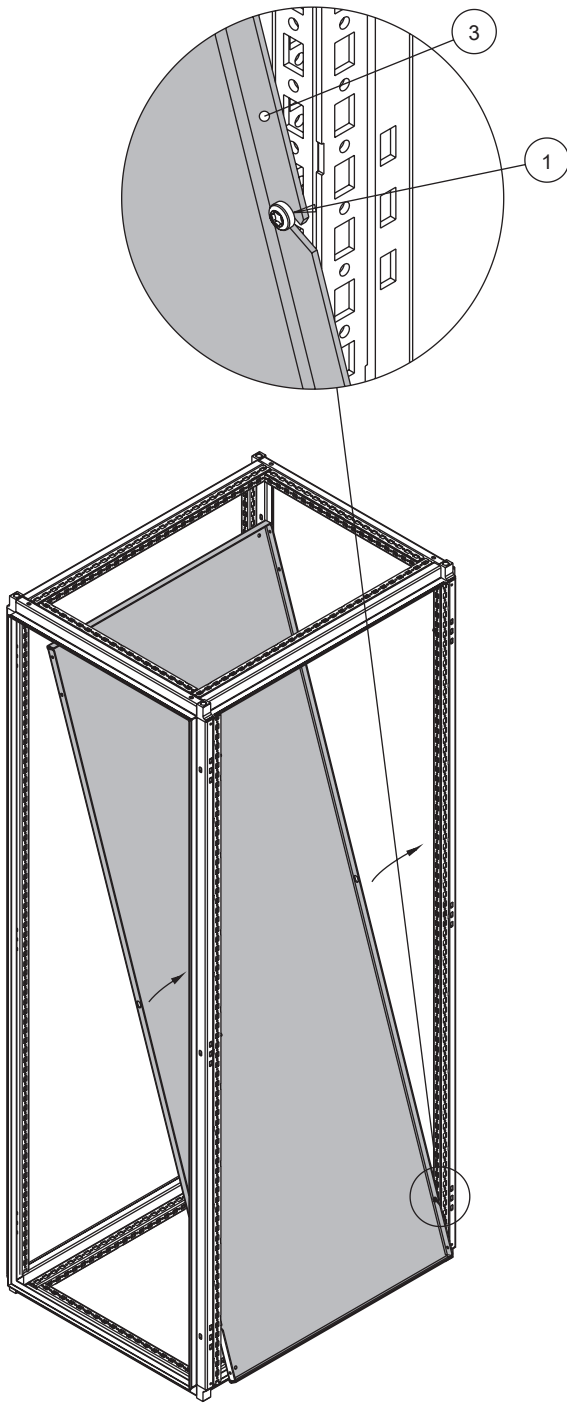




1

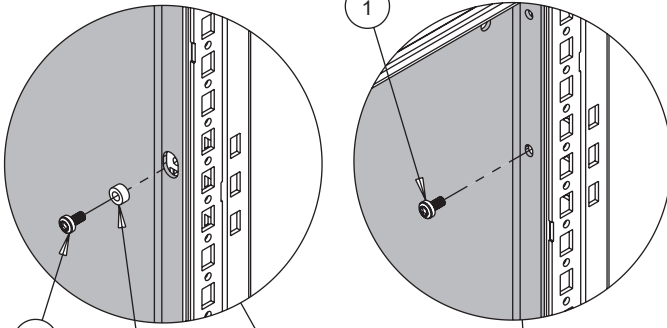


2



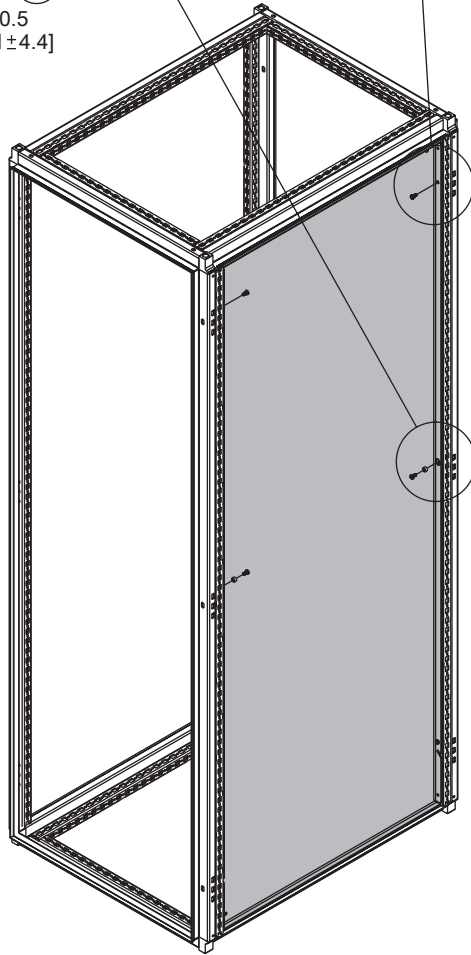
3

5.0 NM ±0.5
[44 LB IN ±4.4]

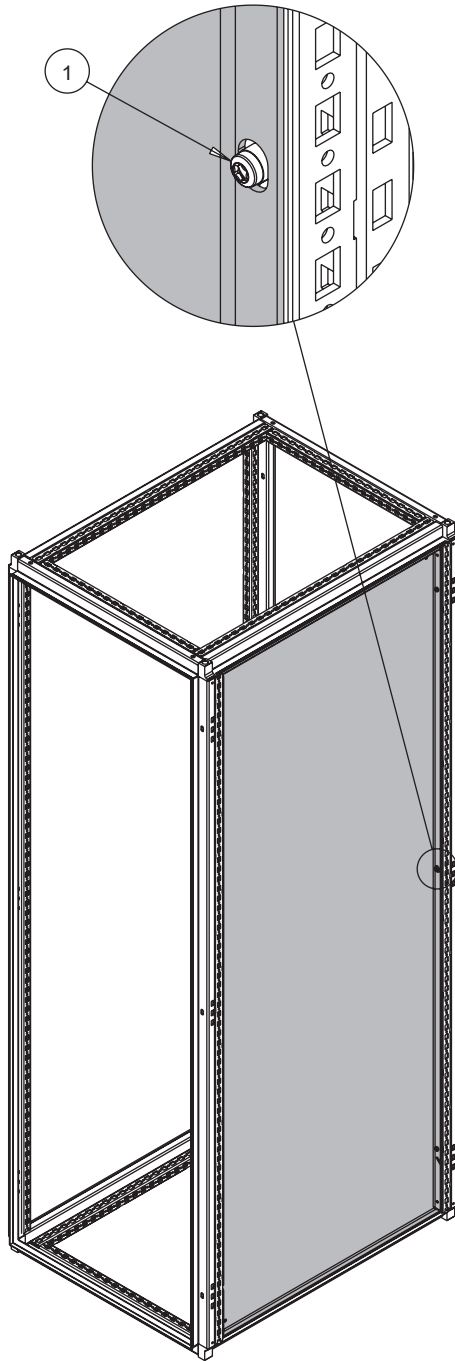


1 2

5.0 NM ±0.5
[44 LB IN ±4.4]



4



5



HOFFMAN