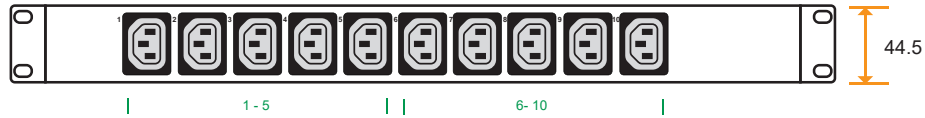


## Basic Strip

unit : mm

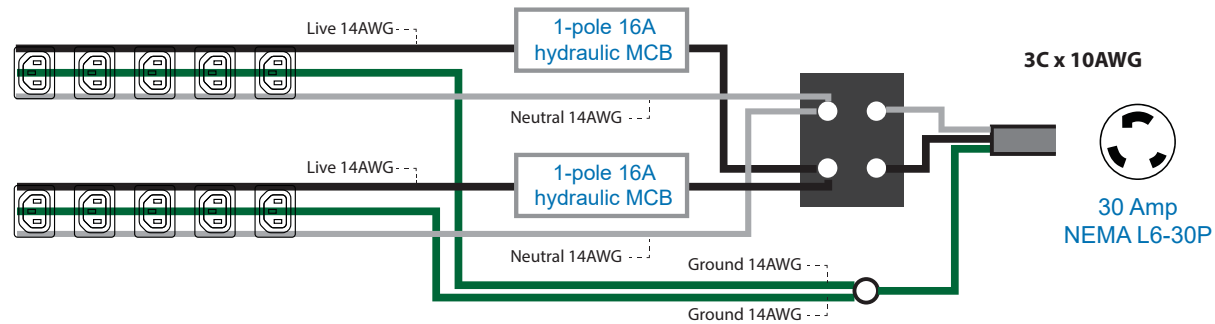
Front view :



Top View :



Rear view :



### Single phase basic PDU

Input Rating : 30A, 208V  
 Outlet : 10A Rated C13 x 10  
 Inlet : 30A NEMA L6-30P plug  
 Cordset : 3 meter 10AWG cordset  
 Protection : 16A single pole hydraulic MCB x 2  
 Circuit Details : < **Circuit A** > Output 12A max. C 1 3 # 1 - 5  
 < **Circuit B** > Output 12A max. C 1 3 # 6 - 1 0

Chassis Material : Steel  
 Chassis Color : Black  
 Product Dimension : 17.2 (W) x 4.7 (D) x 1.8 (H) inch  
 Net Weight : 7.0 lbs  
 Packing Dimension : 20.7 (W) x 9.1 (D) x 3.1 (H) inch  
 PDU Gross Weight : 8.4 lbs

EMC Compliance : FCC Part 15 Subpart B certified  
 Safety Compliance : cTUVus Mark to UL 60950-1:2007/R:2014-10  
 CAN/CSA-C22.2 No. 60950-1:2007/A2:2014-10  
 UL 62368-1:2014  
 CAN/CSA-C22.2 No. 62368-1:2014  
 UL 60730-1 Ed.5 (2016)  
 Environment Compliance : RoHS2 & REACH

Operating Temperature : -5 to 60 °C  
 Storage Temperature : -25 to 65 °C  
 Operating Altitude : 0 to 2,000 m  
 Storage Altitude : 0 to 15,000 m  
 Humidity : 8 to 95% RH, non-condensing