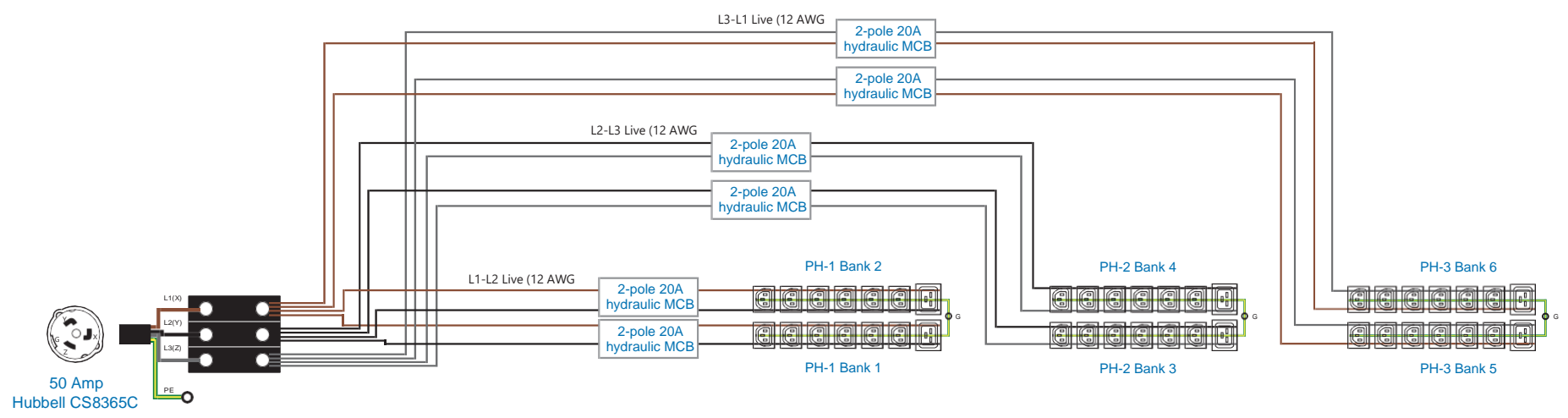
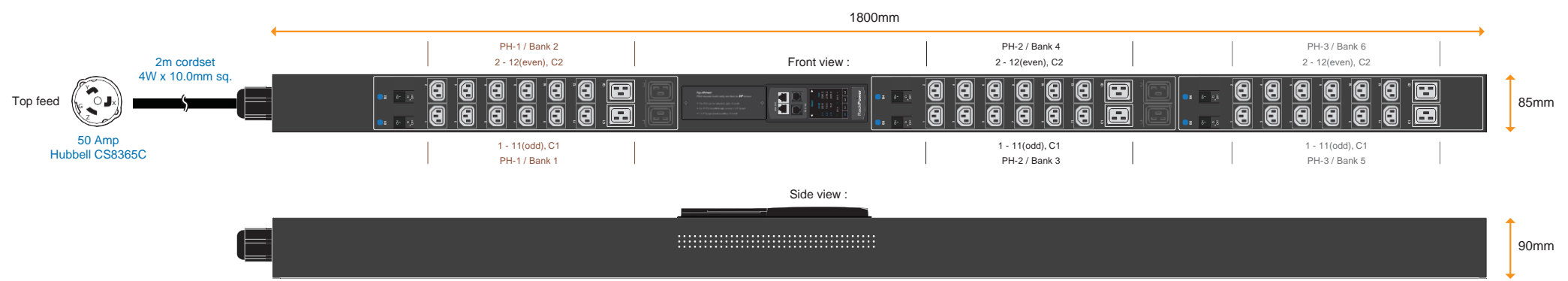


# 3-Phase 208V 50A monitored PDU drawing & specification

## RP1000: Strip level measurement, SNMP Hardware



Three phase monitored PDU	
Input Rating	: 50A, 208V 3PH
Outlet	: 10A Rated C13 x 36 : 16A Rated C19 x 6
Inlet	: 50A Hubbell CS8365C plug
Cordset	: 4-wire 2 meter 10.0mm sq SOOW 6AWG/4C cordset
Protection	: 20A 2-pole hydraulic MCB x 6
Bank Details	<b>PH-1 &lt; Bank 1 &gt;</b> Output 14.4A max. C 1 3 #1-1 1(odd) + C19 #C1 < Bank 2 > Output 14.4A max. C13 #2-12(even) + C19 #C2 <b>PH-2 &lt; Bank 3 &gt;</b> Output 14.4A max. C 1 3 #1-1 1(odd) + C19 #C1 < Bank 4 > Output 14.4A max. C13 #2-12(even) + C19 #C2 <b>PH-3 &lt; Bank 5 &gt;</b> Output 14.4A max. C 1 3 #1-1 1(odd) + C19 #C1 < Bank 6 > Output 14.4A max. C13 #2-12(even) + C19 #C2

Meter Features ( W monitored PDU )	
Local Display	: Field replaceable 2.8" color LCD with touchscreen
Bank Measurement	: Voltage ( V ), Current ( A ), energy ( kWh ) & power factor
Accuracy	: ±1% Billing-grade
IP Access	: via IP dongle, one IP Access up to 16 PDU Levels
Cascade	: Up to 16 PDU under single IP address via IP dongle
SNMP	: V2 / V3 via IP dongle
Sensor Port x 2	: Temp. Sensor / Temp. + Humid. Sensor

EMC Compliance	: FCC Part 15 Subpart B certified
Safety Compliance	: cTUVus Mark to UL 60950-1:2007/R:2014-10 CAN/CSA-C22.2 No. 60950-1:2007/A2:2014-10  UL 62368-1:2014 CAN/CSA-C22.2 No. 62368-1:2014
Environment Compliance	: UL 60730-1 Ed.5 (2016) RoHS2 & REACH

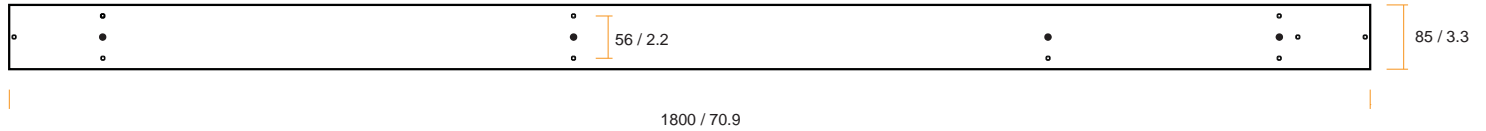
Operating Temperature	: -5 to 60 °C
Storage Temperature	: -25 to 65 °C
Operating Altitude	: 0 to 2,000 m
Storage Altitude	: 0 to 15,000 m
Humidity	: 8 to 95% RH, non-condensing

Chassis Material	: Steel
Chassis Color	: Black
PDU Dimension	: 3.3 (W) x 3.5 (D) x 70.9 (H) inch
Net Weight	: 34.1 lbs
Packing Dimension	: 4.3 (W) x 10.6 (D) x 80.4 (H) inch
PDU Gross Weight	: 38.5 lbs

### Mounting

123.8 / 4.9                      622.4 / 24.5                      622.4 / 24.5                      311.2 / 12.3

VMS



Top

Bottom

VMB

