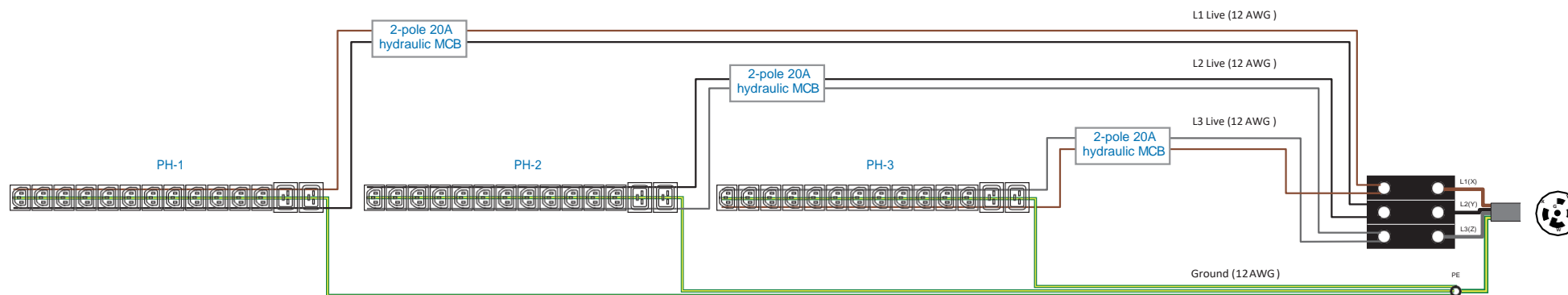
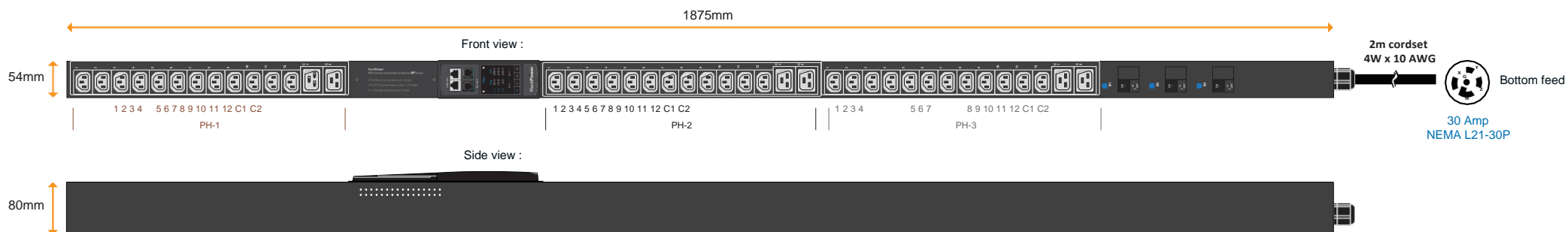


3-Phase 208V 30A monitored PDU drawing & specification

RP1000: Strip level measurement, SNMP Hardware



Three phase monitored PDU



Input Rating : 30A, 208V 3PH
 Outlet : 10A Rated C13 x 36
 16A Rated C19 x 6
 Inlet : 30 Amp NEMA L21-30P plug
 Cordset : 4-wire 2 meter UL SJT 10 AWG cordset
 Protection : 20A 2-pole hydraulic MCB x 3
 Bank Details : < PH-1 > Output 17.3A max. C 1 3 # 1 - 1 2 + C19 #C1-C2
 < PH-2 > Output 17.3A max. C 1 3 # 1 - 1 2 + C19 #C1-C2
 < PH-3 > Output 17.3A max. C 1 3 # 1 - 1 2 + C19 #C1-C2

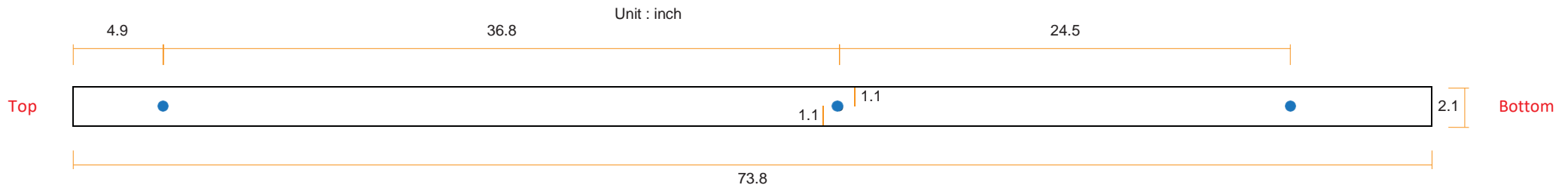
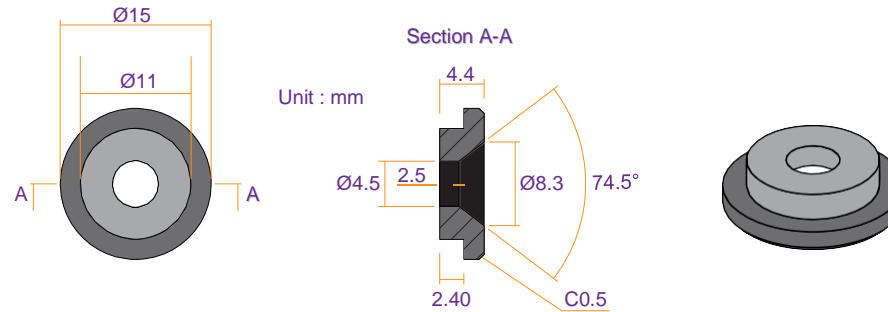
Meter Features (W monitored PDU)

Local Display : Field replaceable 2.8" color LCD with touchscreen
 Bank Measurement : Voltage (V), Current (A), energy (kWh) & power factor
 Accuracy : ±1% Billing-grade
 IP Access : via IP dongle, one IP Access up to 16 PDU Levels
 Cascade : Up to 16 PDU under single IP address via IP dongle
 SNMP : V2 / V3 via IP dongle
 Sensor Port x 2 : Temp. Sensor / Temp. + Humid. Sensor
 Operating Temperature : -5 to 60 °C
 Storage Temperature : -25 to 65 °C
 Operating Altitude : 0 to 2,000 m
 Storage Altitude : 0 to 15,000 m
 Humidity : 8 to 95% RH, non-condensing


EMC Compliance : FCC Part 15 Subpart B certified
 Safety Compliance : cTUVus Mark to UL 60950-1:2007/R:2014-10
 CAN/CSA-C22.2 No. 60950-1:2007/A2:2014-10
 UL 62368-1:2014
 CAN/CSA-C22.2 No. 62368-1:2014
 UL 60730-1 Ed.5 (2016)
 Environment Compliance : RoHS2 & REACH
 Chassis Material : Steel
 Chassis Color : Black
 PDU Dimension : 2.1 (W) x 3.1 (D) x 73.8 (H) inch
 Net Weight : 20.9 lbs
 Packing Dimension (for 2 PDUs) : 4.3 (W) x 10.6 (D) x 85.4 (H) inch
 PDU Gross Weight (for 2 PDUs) : 46.2 lbs

VMS Mounting Button

 **x 3** +  **x 3**
M4 Screw
 - Flat head
 - M4x10mm
PEG



VMB Mounting Bracket

 **x 4** +  **x 2**
M3.2 Screw
 - Flat head
 - M3.2x6mm
Bracket

