

Three phase monitored PDU

Input Rating : 60A, 208V 3PH
 Outlet : 10A Rated C13 x 6
 16A Rated C19 x 12
 Inlet : IEC 60309 60A 3P+E 9h Blue PLUG (IP67)
 Cordset : 4-wire 2 meter SOOW 6 AWG/4C cordset
 Protection : 20A 2-pole hydraulic MCB x 6
 Bank Details : **PH-1 < Bank 1 >** Output 17.3A max. C 13 # 1 + C 19 # C1-C2
 < **Bank 2** > Output 17.3A max. C13 #2 + C19 #C3-C4
PH-2 < Bank 3 > Output 17.3A max. C 13 # 1 + C 19 # C1-C2
 < **Bank 4** > Output 17.3A max. C13 #2 + C19 #C3-C4
PH-3 < Bank 5 > Output 17.3A max. C 13 # 1 + C 19 # C1-C2
 < **Bank 6** > Output 17.3A max. C13 #2 + C19 #C3-C4

Meter Features (W monitored PDU)

Local Display : Field replaceable 2.8" color LCD with touchscreen
 Bank Measurement : Voltage (V), Current (A), energy (kWh) & power factor
 Accuracy : ±1% Billing-grade
 IP Access : via IP dongle, one IP Access up to 16 PDU Levels
 Cascade : Up to 16 PDU under single IP address via IP dongle
 SNMP : V2 / V3 via IP dongle
 Sensor Port x 2 : Temp. Sensor / Temp. + Humid. Sensor

EMC Safety Compliance : FCC Part 15 Subpart B certified
 : cTUVus Mark to UL 60950-1:2007/R:2014-10
 CAN/CSA-C22.2 No. 60950-1:2007/A2:2014-10
 UL 62368-1:2014
 CAN/CSA-C22.2 No. 62368-1:2014
 UL 60730-1 Ed.5 (2016)



Environment Compliance : RoHS2 & REACH

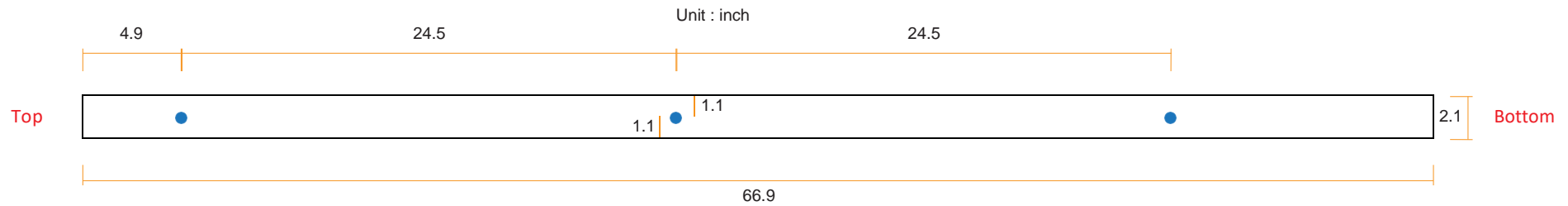
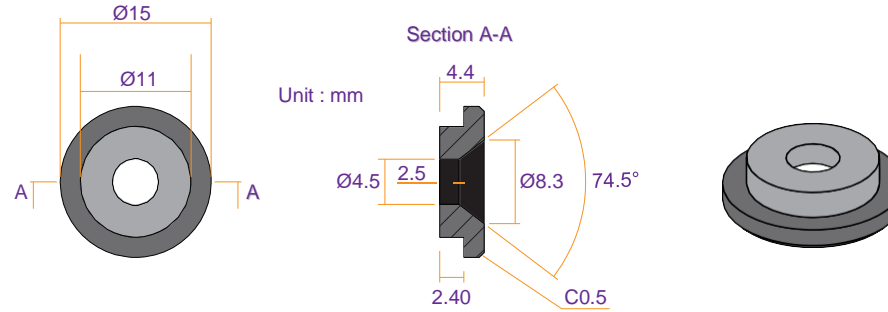
Operating Temperature : -5 to 60 °C
 Storage Temperature : -25 to 65 °C
 Operating Altitude : 0 to 2,000 m
 Storage Altitude : 0 to 15,000 m
 Humidity : 8 to 95% RH, non-condensing

Product Dimension : 2.4 (W) x 3.5 (D) x 66.9 (H) inch
 Net Weight : -


Packing dimension (for 2 PDUs) : 4.3 (W) x 10.6 (D) x 80.4(H) inch
 PDU gross weight (for 2 PDUs) : -

VMS Mounting Button

 **x 3** +  **x 3**
M4 Screw
 - Flat head
 - M4x10mm
PEG



VMB Mounting Bracket

 **x 4** +  **x 2**
M3.2 Screw
 - Flat head
 - M3.2x6mm
Bracket

